



MIAMI-DADE COUNTY  
 PRODUCT CONTROL SECTION  
 11805 SW 26 Street, Room 208  
 Miami, Florida 33175-2474  
 T (786) 315-2590 F (786) 315-2599  
[www.miamidade.gov/economy](http://www.miamidade.gov/economy)

DEPARTMENT OF REGULATORY AND ECONOMIC RESOURCES (RER)  
 BOARD AND CODE ADMINISTRATION DIVISION

**NOTICE OF ACCEPTANCE (NOA)**

**Rectorseal**  
**2601 Spenwick Drive**  
**Houston, TX 77055**

**SCOPE:**

This NOA is being issued under the applicable rules and regulations governing the use of construction materials. The documentation submitted has been reviewed and accepted by Miami-Dade County RER – Product Control Section to be used in Miami Dade County and other areas where allowed by the Authority Having Jurisdiction (AHJ).

This NOA shall not be valid after the expiration date stated below. The Miami-Dade County Product Control Section (In Miami-Dade County) and/or the AHJ (in areas other than Miami-Dade County) reserve the right to have this product or material tested for quality assurance purposes. If this product or material fails to perform in the accepted manner, the manufacturer will incur the expense of such testing and the AHJ may immediately revoke, modify, or suspend the use of such product or material within their jurisdiction. RER reserves the right to revoke this acceptance, if it is determined by Miami-Dade County Product Control Section that this product or material fails to meet the requirements of the applicable building code.

This product is approved as described herein, and has been designed to comply with the Florida Building Code, including the High Velocity Hurricane Zone.

**DESCRIPTION: Wall Steel Condenser Bracket**

**APPROVAL DOCUMENT:** Drawing No **RS1508-1**, titled “Wall Condenser Bracket”, sheets 1 through 4 of 4, dated 04/05/2019 and 08/26/2016, prepared by Ted Berman and Associates, LLC, signed and sealed by Theodore Berman, P.E. on 04/05/2019 and 09/07/2016, bearing the Miami-Dade County Product Control revision stamp with the Notice of Acceptance number and expiration date by the Miami-Dade County Product Control Section.

**MISSILE IMPACT RATING: None**

**LABELING:** Each unit shall bear a permanent label with the manufacturer's name or logo, city, state, model/series, and following statement: "Miami-Dade County Product Control Approved", unless otherwise noted herein.

**RENEWAL** of this NOA shall be considered after a renewal application has been filed and there has been no change in the applicable building code negatively affecting the performance of this product.

**TERMINATION** of this NOA will occur after the expiration date or if there has been a revision or change in the materials, use, and/or manufacture of the product or process. Misuse of this NOA as an endorsement of any product, for sales, advertising or any other purposes shall automatically terminate this NOA. Failure to comply with any section of this NOA shall be cause for termination and removal of NOA.

**ADVERTISEMENT:** The NOA number preceded by the words Miami-Dade County, Florida, and followed by the expiration date may be displayed in advertising literature. If any portion of the NOA is displayed, then it shall be done in its entirety.

**INSPECTION:** A copy of this entire NOA shall be provided to the user by the manufacturer or its distributors and shall be available for inspection at the job site at the request of the Building Official.

This NOA revises NOA # **15-0820.06** and consists of this page 1 and evidence pages E-1 and E-2, as well as approval document mentioned above.

The submitted documentation was reviewed by **Carlos M. Utrera, P. E.**



*Carlos M. Utrera*  
 05/29/2019

NOA No. 19-0411.04  
 Expiration Date: October 6, 2021  
 Approval Date: June 6, 2019  
 Page 1

**Rectorseal**

**NOTICE OF ACCEPTANCE: EVIDENCE SUBMITTED**

**1. Evidence submitted under NOA # 15-0820.06**

**A. DRAWINGS**

1. Drawing No **RS1508-1**, titled "Wall Condenser Bracket", sheets 1 through 4 of 4, dated 08/26/2016, prepared by Ted Berman and Associates, LLC, signed and sealed by Theodore Berman, P. E.

**B. TESTS**

1. None.

**C. CALCULATIONS**

1. Anchor verification calculations and structural analysis, complying with FBC-2014, 5<sup>th</sup> edition, prepared by Ted Berman and Associates, LLC, signed, and sealed by Theodore Berman, P.E., dated 08/17/2016 and revised 09/08/2016.

**D. QUALITY ASSURANCE**

1. Miami-Dade Department of Regulatory and Economic Resources (RER).

**E. MATERIAL CERTIFICATIONS**

1. None.

**F. STATEMENTS**

1. Statement letter of code conformance and of no financial interest, issued by Ted Berman and Associates, LLC, dated 08/17/2015, signed and sealed by Theodore Berman, P.E.

**G. OTHERS**

1. None.



---

**Carlos M. Utrera, P.E.**  
**Product Control Examiner**  
**NOA No. 19-0411.04**  
**Expiration Date: October 6, 2021**  
**Approval Date: June 6, 2019**

**Rectorseal**

**NOTICE OF ACCEPTANCE: EVIDENCE SUBMITTED**

**2. New evidence submitted**

**A. DRAWINGS**

1. Drawing No **RS1508-1**, titled "Wall Condenser Bracket", sheets 1 through 4 of 4, dated 04/05/2019 and 08/26/2016, prepared by Ted Berman and Associates, LLC, signed and sealed by Theodore Berman, P. E. on 04/05/2019 and 09/07/2016.

**B. TESTS**

1. None.

**C. CALCULATIONS**

1. None.

**D. QUALITY ASSURANCE**

1. Miami-Dade Department of Regulatory and Economic Resources (RER).

**E. MATERIAL CERTIFICATIONS**

1. None.

**F. STATEMENTS**

1. Statement letter of code conformance to the 6<sup>th</sup> edition (2017) of the FBC and of no financial interest, issued by Ted Berman and Associates, LLC, dated 04/05/2019, signed and sealed by Theodore Berman, P.E.

**G. OTHERS**

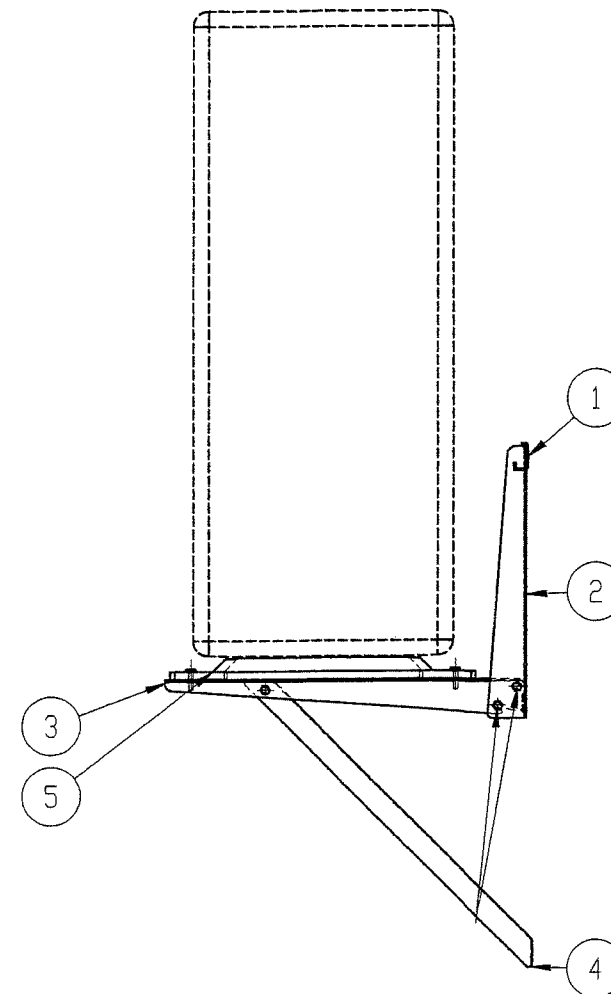
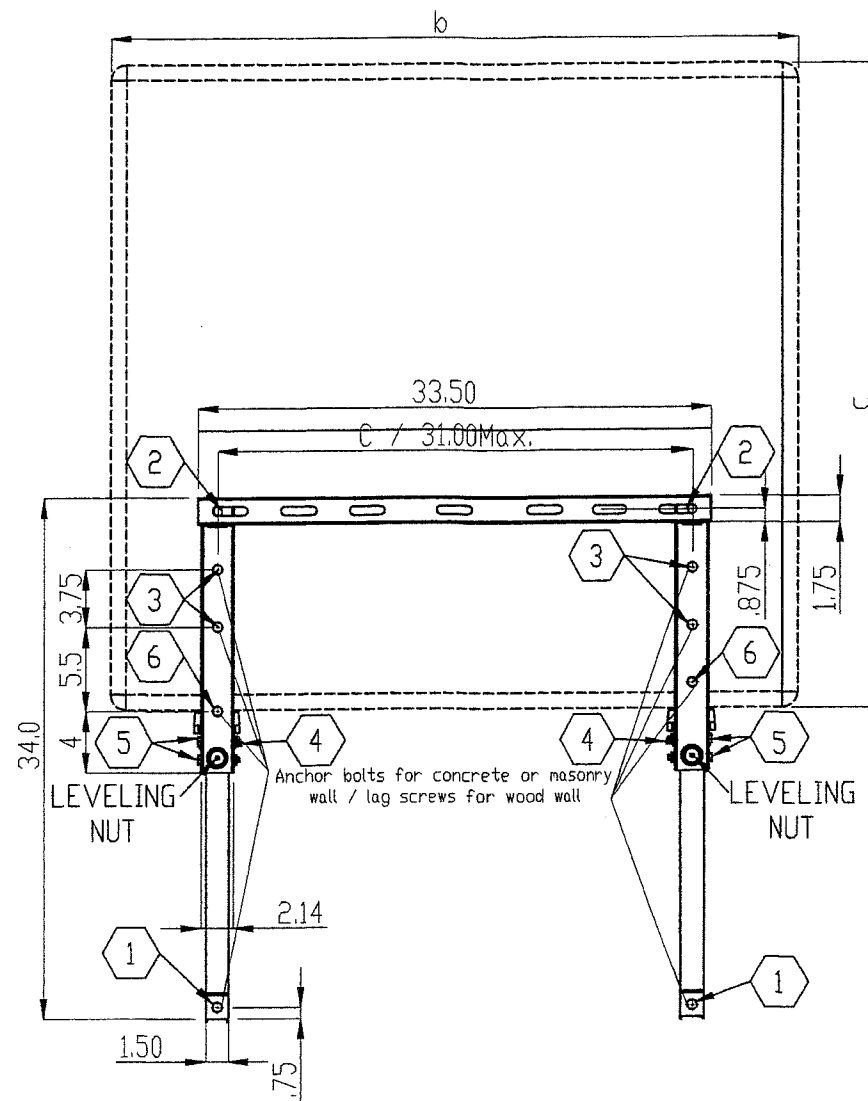
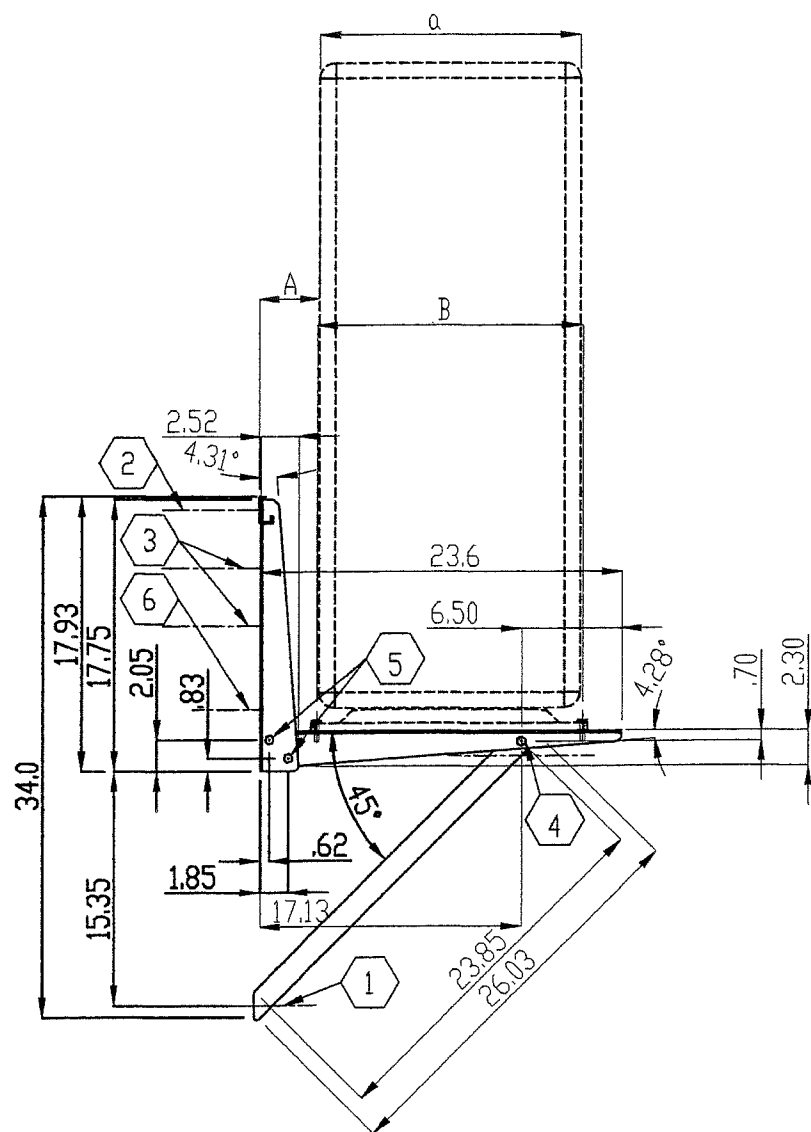
1. None.



105/29/2019

---

**Carlos M. Utrera, P.E.**  
**Product Control Examiner**  
**NOA No. 19-0411.04**  
**Expiration Date: October 6, 2021**  
**Approval Date: June 6, 2019**



Dimensions:

Item	Big unit (inch)	Medium unit (inch)	Small unit (inch)
a	17	12	11
b	45	34	18
c	42	35	26
Weight	500lbs	318lbs	150lbs

Item NO.	Description	Big unit (inch)	Medium unit (inch)	Small unit (inch)
A	Distance between unit foot fixing bolt and wall	4	6	8
B	Distance between unit twofeet	17.32	12.9	11.4
C	Distance between two braches arms	31	23	12

BOM:

ITEM NO.	Description	Material	QTY.
1	Cross arm	1045# steel, galvanized min. G90, thickness: 0.078"	1
2	Vertical arm	1045# steel, galvanized min. G90, thickness: 0.078"	2
3	Horizontal arm	1045# steel, galvanized min. G90, thickness: 0.078"	2
4	angle arm	1045# steel, galvanized min. G90, thickness: 0.078"	2
5	condenser unit	Condenser unit	1

General Notes:

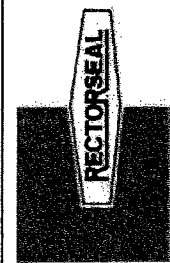
1. This Product has been designed to conform to the requirements as determined in the Florida Building Code 6th Edition (2017) and ASCE 7-10.
2. This product is designed for within and outside High Velocity Hurricane Zone.
3. Building structure must be designed by licensed professional engineer to carry the loads applied from this product.
4. Bracket material shall be AISI 1045 Steel with  $F_y=59$  KSI or better.
5. All anchors to surrounding structure to be as listed and spaced as specified in these drawings, any substitutions shall be approved by a licensed professional Engineer.
6. All screws and fasteners shall be corrosion resistance.
7. Alternations or additions to this document are not permitted.

Legend:  
 ANCHOR DESIGNATION

**PRODUCT REVISED**  
 as complying with the Florida Building Code  
 NOA-No. **19-0411.04**  
 Expiration Date **10/06/2021**  
 By   
 Miami-Dade Product Control

**CONDENSER BRACKET LAYOUT**

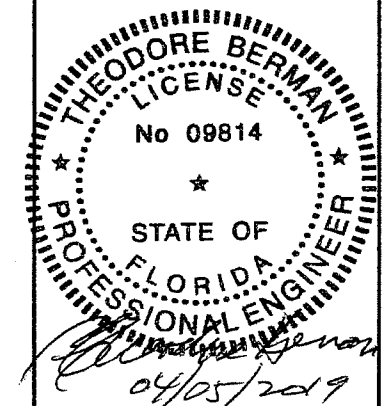
TITLE: WALL CONDENSER BRACKET



2601 SPENWICK DRIVE  
 HOUSTON TX 77055

Ted Berman and Associates, LLC

Certificate of Authorization # 27502  
 925 Arthur Godfrey Rd. Suite 104  
 Miami Beach, FL 33140  
 (305) 868-4707  
 www.flproductapproval.com

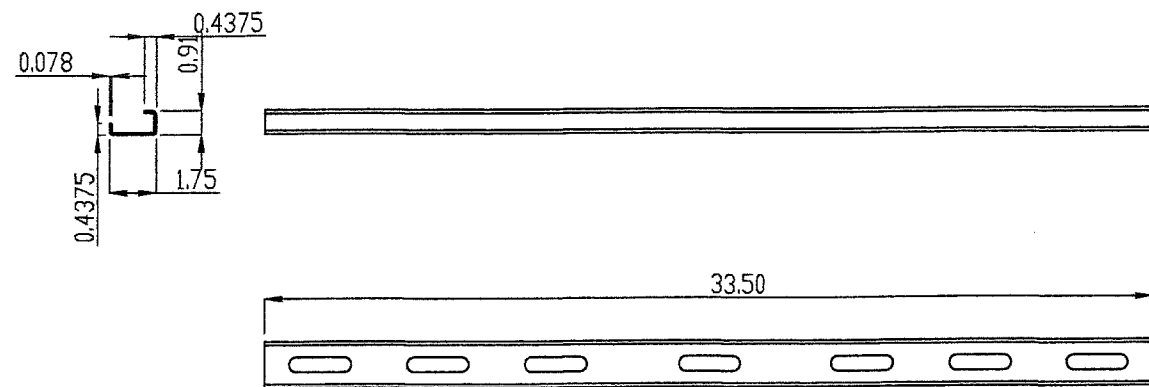


DATE: 04/05/2019

DWG #: RS1508-1

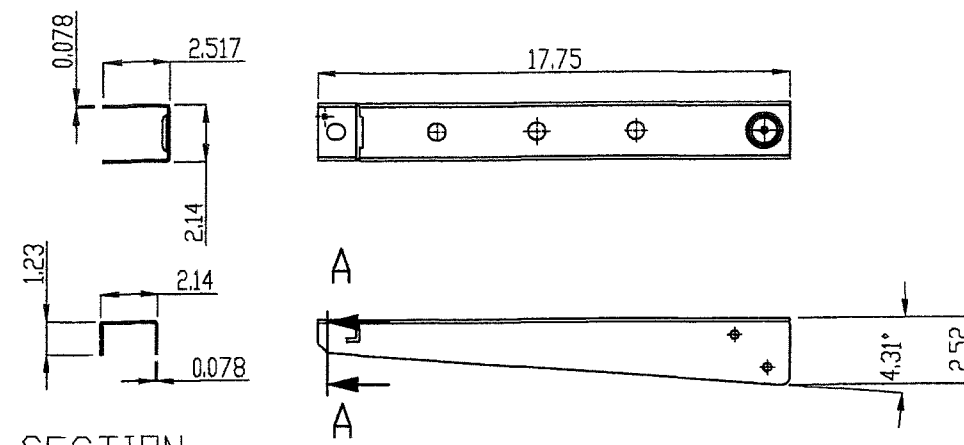
SCALE: N.T.S.

SHEET: 1 of 4



CROSS ARM

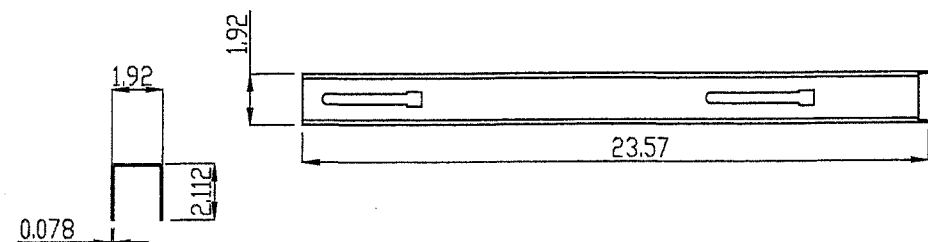
1  
S-2



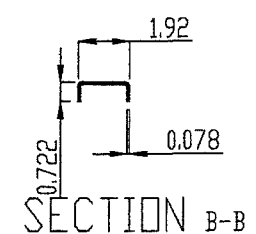
SECTION A-A

VERTICAL ARM

2  
S-2



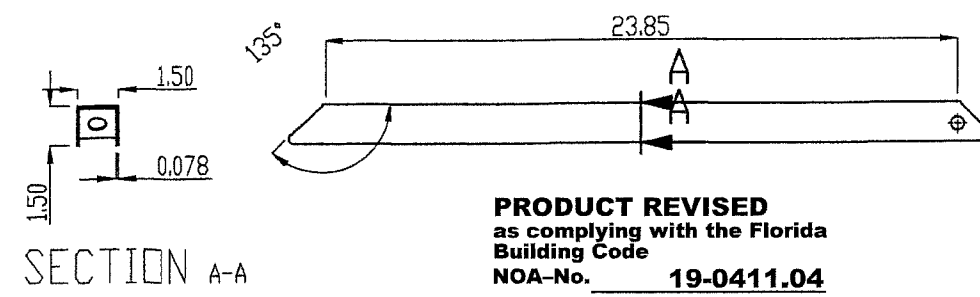
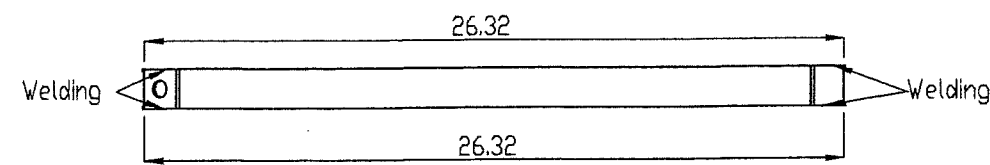
SECTION A-A



SECTION B-B

HORIZONTAL ARM

3  
S-2



SECTION A-A

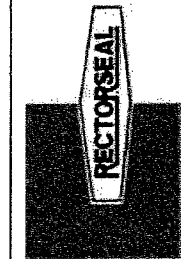
ANGLE ARM

4  
S-2

**PRODUCT REVISED**  
as complying with the Florida  
Building Code  
NOA-No. 19-0411.04  
Expiration Date 10/06/2021  
By [Signature]  
Miami-Dade Product Control

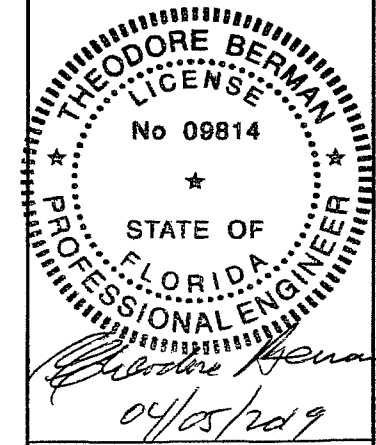
CONDENSER BRACKET PARTS

TITLE: WALL CONDENSER BRACKET



2601 SPENWICK DRIVE  
HOUSTON TX 77055

Ted Berman and Associates, LLC  
Certificate of Authorization # 27502  
925 Arthur Godfrey Rd. Suite 104  
Miami Beach, FL 33140  
(305) 868-4707  
www.flproductapproval.com



DATE: 04/05/2019

DWG #: RS1508-1

SCALE: N.T.S.

SHEET: 2 of 4

**Small Units**

f'c ≥ 3295 PSI (22.7 MPa) Concrete											
Anchor Designation	Anchor Size	Min. Emb.	Min. E.D.	50' BLDG				100' BLDG			
				Risk Cat. II Exposure C	Risk Cat. II Exposure D	R.C. III & IV Exposure C	R.C. III & IV Exposure D	Risk Cat. II Exposure C	Risk Cat. II Exposure D	R.C. III & IV Exposure C	R.C. III & IV Exposure D
1	1/4" Tapcon SG	1 3/4"	2 1/2"	1 per Leg	1 per Leg	1 per Leg	1 per Leg	1 per Leg	1 per Leg	1 per Leg	1 per Leg
	3/8" Hilti KWIK Bolt TZ	2"	3"	1 per Leg	1 per Leg	1 per Leg	1 per Leg	1 per Leg	1 per Leg	1 per Leg	1 per Leg
	3/8" Strong-Tie Strong Bolt 2	2"	6"	1 per Leg	1 per Leg	1 per Leg	1 per Leg	1 per Leg	1 per Leg	1 per Leg	1 per Leg
2	1/4" Tapcon SG	1"	1 1/4"	1 per Leg	1 per Leg	1 per Leg	1 per Leg	1 per Leg	1 per Leg	1 per Leg	1 per Leg
	3/8" Hilti KWIK Bolt TZ	2"	3"	1 per Leg	1 per Leg	1 per Leg	1 per Leg	1 per Leg	1 per Leg	1 per Leg	1 per Leg
	3/8" Strong-Tie Strong Bolt 2	2"	6"	1 per Leg	1 per Leg	1 per Leg	1 per Leg	1 per Leg	1 per Leg	1 per Leg	1 per Leg
3	1/4" Tapcon SG	1"	1 1/4"	2 per Leg	2 per Leg	2 per Leg	2 per Leg	2 per Leg	2 per Leg	2 per Leg	2 per Leg
	3/8" Hilti KWIK Bolt TZ	2"	3"	2 per Leg	2 per Leg	2 per Leg	2 per Leg	2 per Leg	2 per Leg	2 per Leg	2 per Leg
	3/8" Strong-Tie Strong Bolt 2	2"	6"	2 per Leg	2 per Leg	2 per Leg	2 per Leg	2 per Leg	2 per Leg	2 per Leg	2 per Leg
4	3/8" ASTM F568 Grade 4.8 Bolt	n/a	-	1 per Leg	1 per Leg	1 per Leg	1 per Leg	1 per Leg	1 per Leg	1 per Leg	1 per Leg
5	1/4" ASTM F568 Grade 4.8 Bolt	n/a	-	2 per Leg	2 per Leg	2 per Leg	2 per Leg	2 per Leg	2 per Leg	2 per Leg	2 per Leg
6	1/4" Tapcon SG	1"	1 1/4"	1 per Leg	1 per Leg	1 per Leg	1 per Leg	1 per Leg	1 per Leg	1 per Leg	1 per Leg
	3/8" Hilti KWIK Bolt TZ	2"	3"	1 per Leg	1 per Leg	1 per Leg	1 per Leg	1 per Leg	1 per Leg	1 per Leg	1 per Leg
	3/8" Strong-Tie Strong Bolt 2	2"	6"	1 per Leg	1 per Leg	1 per Leg	1 per Leg	1 per Leg	1 per Leg	1 per Leg	1 per Leg

**Small Units**

f'c = 2000 PSI (13.8 MPa) Grout-Filled CMU							
Anchor Designation	Anchor Size	Min. Emb.	Min. E.D.	50' BLDG			
				Risk Cat. II Exposure C	Risk Cat. II Exposure D	R.C. III & IV Exposure C	R.C. III & IV Exposure D
1	1/4" Tapcon SG	1 3/4"	2 1/2"	1 per Leg	1 per Leg	1 per Leg	1 per Leg
2	1/4" Tapcon SG	1 3/4"	2 1/2"	1 per Leg	1 per Leg	1 per Leg	1 per Leg
3	1/4" Tapcon SG	1 3/4"	2 1/2"	2 per Leg	2 per Leg	2 per Leg	2 per Leg
4	3/8" ASTM F568 Grade 4.8 Bolt	n/a	-	1 per Leg	1 per Leg	1 per Leg	1 per Leg
5	1/4" ASTM F568 Grade 4.8 Bolt	n/a	-	2 per Leg	2 per Leg	2 per Leg	2 per Leg
6	1/4" Tapcon SG	1 3/4"	2 1/2"	1 per Leg	1 per Leg	1 per Leg	1 per Leg

**Small Units**

Loads Applied to the Structure (lbs)													
Load Location	Load Type	30' BLDG				50' BLDG				100' BLDG			
		Risk Cat. II Exposure C	Risk Cat. II Exposure D	R.C. III & IV Exposure C	R.C. III & IV Exposure D	Risk Cat. II Exposure C	Risk Cat. II Exposure D	R.C. III & IV Exposure C	R.C. III & IV Exposure D	Risk Cat. II Exposure C	Risk Cat. II Exposure D	R.C. III & IV Exposure C	R.C. III & IV Exposure D
V (A)	Download	221	248	240	271	238	265	259	290	264	290	289	318
	Uplift	86	114	106	137	103	131	125	156	129	155	154	184
V (C)	Download	221	248	240	271	238	265	259	290	264	290	289	318
	Uplift	86	114	106	137	103	131	125	156	129	155	154	184

**Small Units**

Wood, G=0.42 Min., C <sub>D</sub> = 1.6									
Anchor Designation	Anchor Size	Min. Emb.	Min. E.D.	Min. End D.	30' BLDG				
					Risk Cat. II Exposure C	Risk Cat. II Exposure D	R.C. III & IV Exposure C	R.C. III & IV Exposure D	
1	1/4" LAG Screw	2 1/2"	3/8" into side Grain	1"	1 per Leg	1 per Leg	1 per Leg	1 per Leg	1 per Leg
2	1/4" LAG Screw	2 1/2"	3/8" into side Grain	1"	1 per Leg	1 per Leg	1 per Leg	1 per Leg	1 per Leg
3	1/4" LAG Screw	2 1/2"	3/8" into side Grain	1"	2 per Leg	2 per Leg	2 per Leg	2 per Leg	2 per Leg
4	3/8" ASTM F568 Grade 4.8 Bolt	n/a	-	-	1 per Leg	1 per Leg	1 per Leg	1 per Leg	1 per Leg
5	1/4" ASTM F568 Grade 4.8 Bolt	n/a	-	-	2 per Leg	2 per Leg	2 per Leg	2 per Leg	2 per Leg
6	1/4" LAG Screw	2 1/2"	3/8" into side Grain	1"	1 per Leg	1 per Leg	1 per Leg	1 per Leg	1 per Leg

NOTE: Installation into wood requires the use of (2) 2x wood bucks. 2x shall be securely anchored to transfer load to building structure.

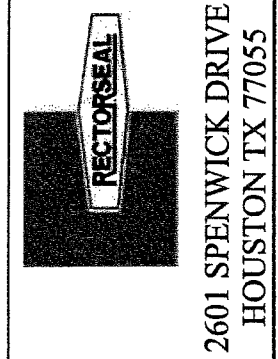
**Small Units**

8-inch Lightweight, Medium-Weight and Normal-Weight Hollow CMU					
Anchor Designation	Anchor Size	Min. Emb.	Min. E.D.	Min. End D.	30' BLDG
					Risk Cat. II Exposure C
1	5/8" Titen HD®	1 3/4"	4	4 5/8"	1 per Leg
2	3/8" Titen HD®	1 3/4"	4	4 5/8"	1 per Leg
3	3/8" Titen HD®	1 3/4"	4	4 5/8"	2 per Leg
4	3/8" ASTM F568 Grade 4.8 Bolt	n/a	-	-	1 per Leg
5	1/4" ASTM F568 Grade 4.8 Bolt	n/a	-	-	2 per Leg
6	3/8" Titen HD®	1 3/4"	4	4 5/8"	1 per Leg

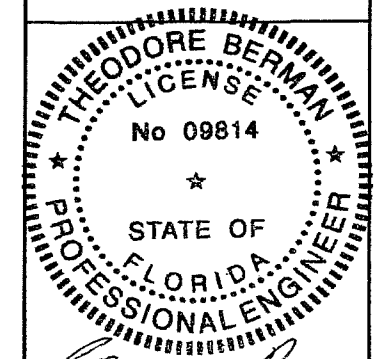
**PRODUCT REVISED**  
as complying with the Florida Building Code  
NOA-No. **19-0411.04**  
Expiration Date **10/06/2021**  
By *[Signature]*  
Miami-Dade Product Control

**ANCHOR SCHEDULE**

TITLE: WALL CONDENSER BRACKET



Ted Berman and Associates, LLC  
Certificate of Authorization # 27502  
925 Arthur Godfrey Rd. Suite 104  
Miami Beach, FL 33140  
(305) 868-4707  
www.flproductapproval.com



*[Signature]*  
04/05/2019

DATE: 04/05/2019  
DWG #: RS1508-1  
SCALE: N.T.S.  
SHEET: 3 of 4

**Medium and Large Units**

**f'c ≥ 3000 psi (20.7 MPa) Concrete for Cracked and Uncracked Concrete**

Anchor Designation	Anchor Size	Min. Emb.	Min. E.D.	30' BLDG		50' BLDG			100' BLDG		
				Risk Cat. II Exposure C	Risk Cat. II Exposure C	Risk Cat. II Exposure D	R.C. III & IV Exposure C	R.C. III & IV Exposure D	Risk Cat. II Exposure C	Risk Cat. II Exposure D	R.C. III & IV Exposure C
1	1/2" Titen HD*	3 5/8"	4"	1 per Leg	1 per Leg	1 per Leg	1 per Leg	-	1 per Leg	-	-
	1/2" Titen HD*	5 3/4"	4"	1 per Leg	1 per Leg	1 per Leg	1 per Leg	1 per Leg	1 per Leg	1 per Leg	1 per Leg
	5/8" Hilti KWIK Bolt TZ	4"	4 3/4"	1 per Leg	-	-	-	-	-	-	-
	5/8" Strong-Tie Strong Bolt 2	4"	6 1/2"	1 per Leg	-	-	-	-	-	-	-
2	3/8" Titen HD*	3 3/4"	4 1/2"	1 per Leg	1 per Leg	1 per Leg	1 per Leg	1 per Leg	1 per Leg	1 per Leg	1 per Leg
	3/8" Strong-Tie Strong Bolt 2	2"	6"	1 per Leg	1 per Leg	1 per Leg	1 per Leg	1 per Leg	1 per Leg	1 per Leg	1 per Leg
3	3/8" Titen HD*	3 3/4"	4 1/2"	2 per Leg	2 per Leg	2 per Leg	2 per Leg	2 per Leg	2 per Leg	2 per Leg	2 per Leg
	3/8" Strong-Tie Strong Bolt 2	2"	6"	2 per Leg	2 per Leg	2 per Leg	2 per Leg	2 per Leg	2 per Leg	2 per Leg	2 per Leg
4	3/8" ASTM F568 Grade 4.8 Bolt	n/a	-	1 per Leg	1 per Leg	1 per Leg	1 per Leg	1 per Leg	1 per Leg	1 per Leg	1 per Leg
5	1/4" ASTM F568 Grade 4.8 Bolt	n/a	-	2 per Leg	2 per Leg	2 per Leg	2 per Leg	2 per Leg	2 per Leg	2 per Leg	2 per Leg
6	3/8" Titen HD*	3 3/4"	3"	1 per Leg	1 per Leg	1 per Leg	1 per Leg	1 per Leg	1 per Leg	1 per Leg	1 per Leg
	3/8" Strong-Tie Strong Bolt 2	2"	6"	1 per Leg	1 per Leg	1 per Leg	1 per Leg	1 per Leg	1 per Leg	1 per Leg	1 per Leg

**Medium and Large Units**

**8-Inch Lightweight, Medium-Weight and Normal-Weight Grout-Filled CMU**

Anchor Designation	Anchor Size	Min. Emb.	Min. E.D.	30' BLDG	40' BLDG
				Risk Cat. II Exposure C	Risk Cat. II Exposure C
1	5/8" Titen HD*	4 1/2"	12	1 per Leg	1 per Leg
2	3/8" Titen HD*	3 3/4"	12	1 per Leg	1 per Leg
3	3/8" Titen HD*	2 3/4"	12	2 per Leg	2 per Leg
4	3/8" ASTM F568 Grade 4.8 Bolt	n/a	-	1 per Leg	1 per Leg
5	1/4" ASTM F568 Grade 4.8 Bolt	n/a	-	2 per Leg	2 per Leg
6	5/8" Titen HD*	4 1/2"	12	1 per Leg	1 per Leg

**Medium and Large Units**

**Loads Applied to the Structure (lbs)**

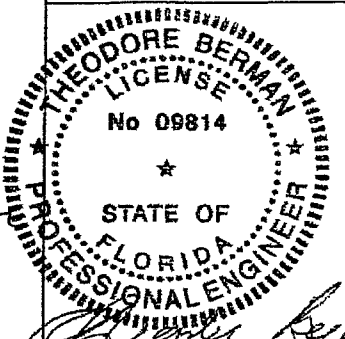
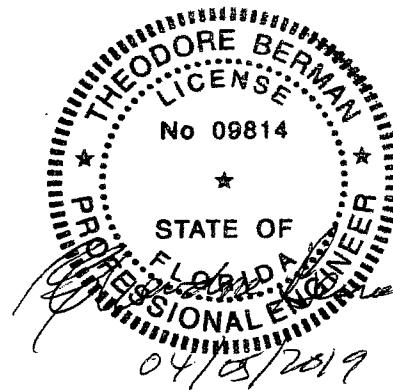
Load Location	Load Type	15' BLDG		30' BLDG		40' BLDG		50' BLDG			100' BLDG		
		Risk Cat. II Exposure C	Risk Cat. II Exposure C	Risk Cat. II Exposure C	Risk Cat. II Exposure C	Risk Cat. II Exposure D	R.C. III & IV Exposure C	R.C. III & IV Exposure D	Risk Cat. II Exposure C	Risk Cat. II Exposure D	R.C. III & IV Exposure C	R.C. III & IV Exposure D	
V (A)	Download	1068	1198	1258	1308	1488	1449	1652	1478	1694	1641	1833	
	Uplift	744	874	934	984	1164	1125	1328	1154	1370	1370	1509	
V (C)	Download	1068	1198	1258	1308	1488	1449	1652	1478	1694	1641	1833	
	Uplift	744	874	934	984	1164	1125	1328	1154	1370	1317	1509	

TITLE: WALL CONDENSER BRACKET



2601 SPENWICK DRIVE  
HOUSTON TX 77055

Ted Berman and Associates, LLC  
Certificate of Authorization # 27502  
925 Arthur Godfrey Rd. Suite 104  
Miami Beach, FL 33140  
(305) 868-4707  
www.fiproductapproval.com



**PRODUCT REVISED**  
as complying with the Florida Building Code  
NOA-No. **19-0411.04**  
Expiration Date **10/06/2021**  
By *[Signature]*  
Miami-Dade Product Control

**PRODUCT APPROVED**  
as complying with the Florida Building Code  
NOA-No. **15-0820.06**  
Approval Date **10/06/2016**  
By *[Signature]*  
Miami-Dade Product Control

DATE: 08/26/16  
DWG #: RS1508-1  
SCALE: N.T.S.  
SHEET: 4 of 4

**ANCHOR SCHEDULE**