



A CSW Industrials Company

# Universal Bracket

WBB300 Wall Bracket  
Product Code **87733**

### Project Information:

**Job Name:**

**Location:**

**Engineer:**

**Submitted to:**

**For:**  Reference  Approval  Construction

**Submitted by:**

**Reference:**

### Submittal Information:

**Approval:**

**Date:**

**Construction:**

**Unit #:**

**Drawing #:**

### (Sec. I) Ordering Information:

Product Code	87733
Model	WBB300
Carton Qty	1
Carton Weight	13 lbs

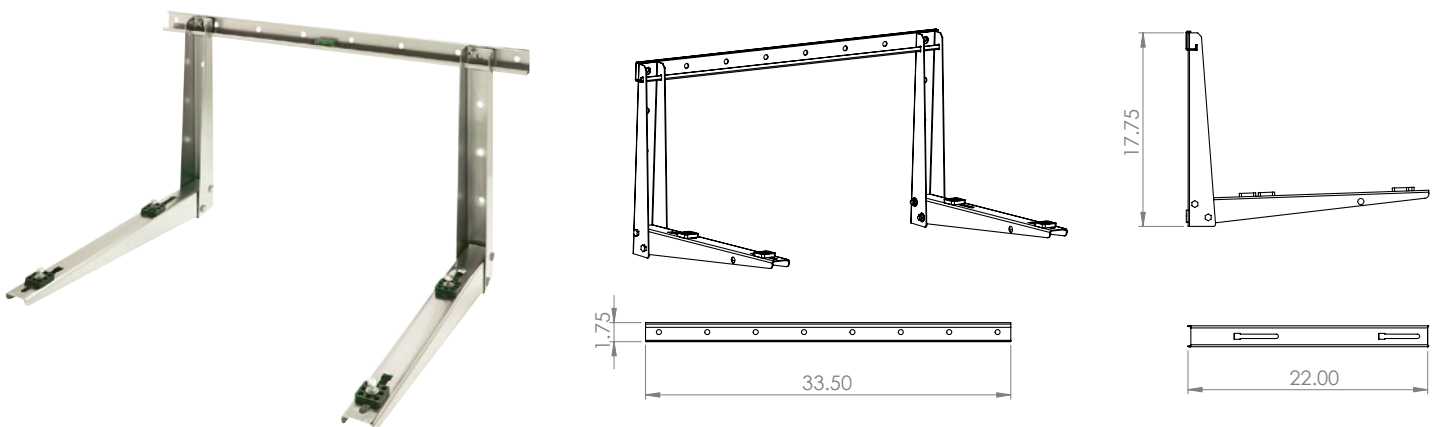
### (Sec. II) Product Specifications:

Sheet Gauge:	14 gauge
Class of Galvanized Sheet:	GALVALUME
Type of Stainless Steel:	N/A
Load Rated Safety Factor:	3
Testing Load Rating to a Specific	
Testing Method:	Yes
Seismic Approval:	No
Hurricane Approval:	No
Type of Rubber Used for Isolator:	TPE rubber
UV Resistant:	Yes
Powder Coating:	Yes
Color of Powder Coating:	Beige
Overall Length:	33.50"
Overall Height:	17.75"
Overall Depth:	22.25"
Min/Max Mounting Depth:	10.5" to 16"
Min/Max Mounting Width:	4.5" to 31"
Max Load Capacity:	300 lbs

### (Sec. III) Carton Contents:

- 2 x Bracket Arm
- 1 x Crossbar
- 6 x Hex Lag Screw
- 6 x 10 mm Concrete Anchor
- 4 x 1" Bolt and Clip Nut
- 1 x Liquid Level
- 2 x M6\*16 Philip Head Screw
- 1 x Installation Instruction

### (Fig. I) Product Image:



**RectorSeal® 2601 Spenwick Drive - Houston, TX 77055 800-231-3345 rectorseal.com**