



A CSW Industrials Company

Universal Bracket

WBB500 Wall Bracket

Product Code **87735**

Project Information:

Job Name:

Location:

Engineer:

Submitted to:

For: Reference Approval Construction

Submitted by:

Reference:

Submittal Information:

Approval:

Date:

Construction:

Unit #:

Drawing #:

(Sec. I) Ordering Information:

Product Code	87735
Model	WBB500
Carton Qty	1
Carton Weight	13 lbs

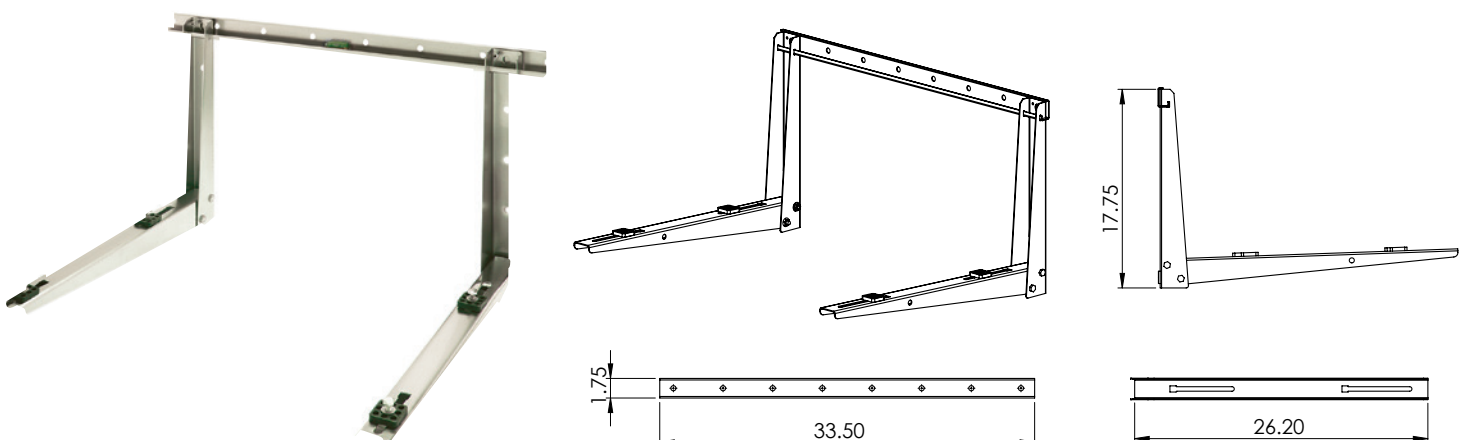
(Sec. II) Product Specifications:

Sheet Gauge:	14 gauge
Class of Galvanized Sheet:	GALVALUME
Type of Stainless Steel:	N/A
Load Rated Safety Factor:	3
Testing Load Rating to a Specific	
Testing Method:	Yes
Seismic Approval:	No
Hurricane Approval:	No
Type of Rubber Used for Isolator:	TPE rubber
UV Resistant:	Yes
Powder Coating:	Yes
Color of Powder Coating:	Beige
Overall Length:	33.50"
Overall Height:	17.75"
Overall Depth:	26.57"
Min/Max Mounting Depth:	10 3/8" to 19.5"
Min/Max Mounting Width:	3" to 31"
Max Load Capacity:	500 lbs

(Sec. III) Carton Contents:

- 2 x Bracket Arm
- 1 x Crossbar
- 6 x Hex Lag Screw
- 6 x 10 mm Concrete Anchor
- 4 x 1" Bolt and Clip Nut
- 1 x Liquid Level
- 2 x M6*16 Philip Head Screw
- 1 x Installation Instruction

(Fig. I) Product Image:



RectorSeal® 2601 Spenwick Drive - Houston, TX 77055 800-231-3345 rectorseal.com