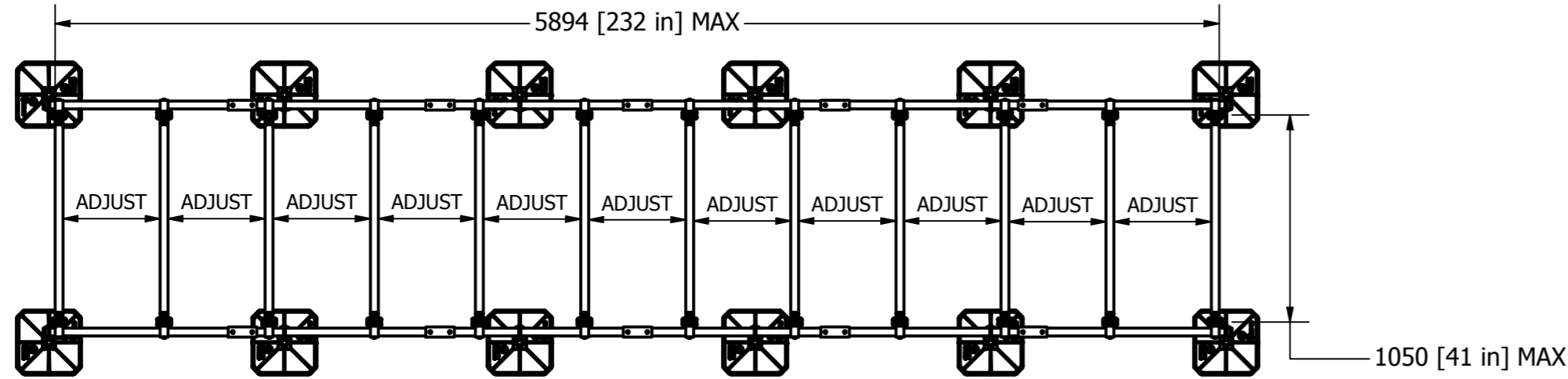


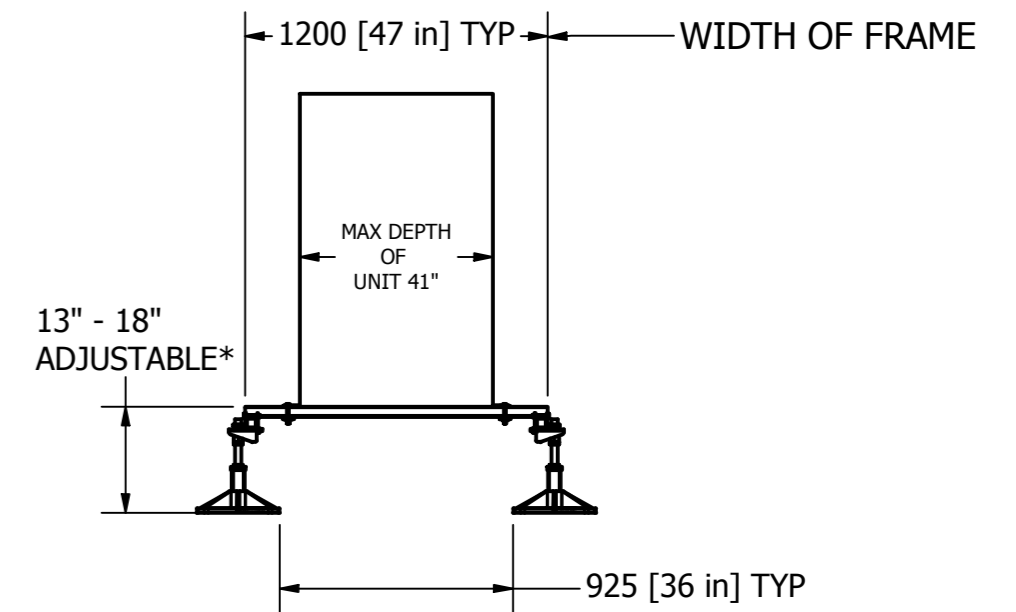
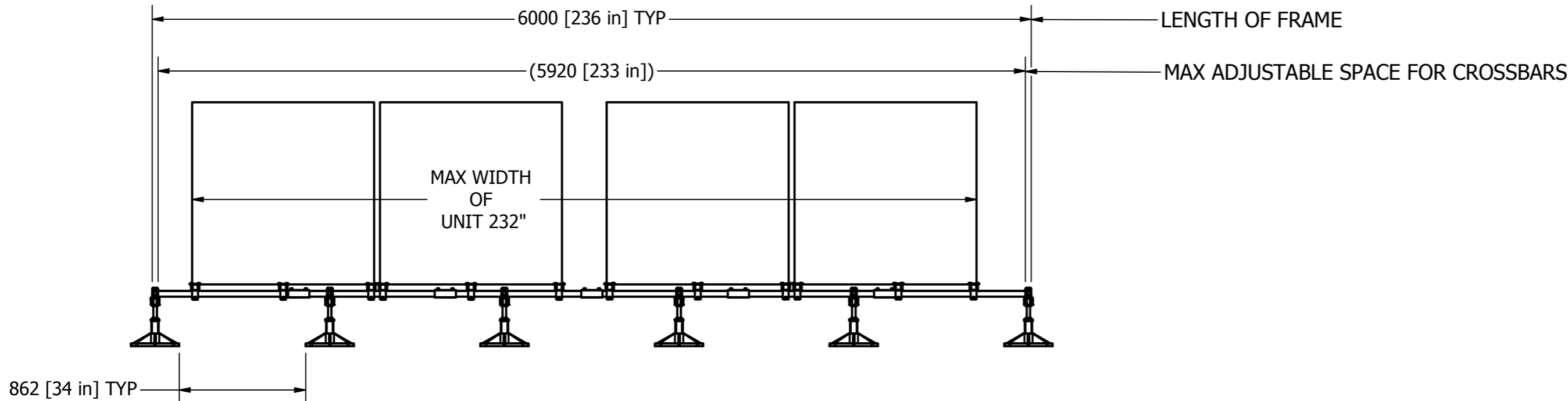
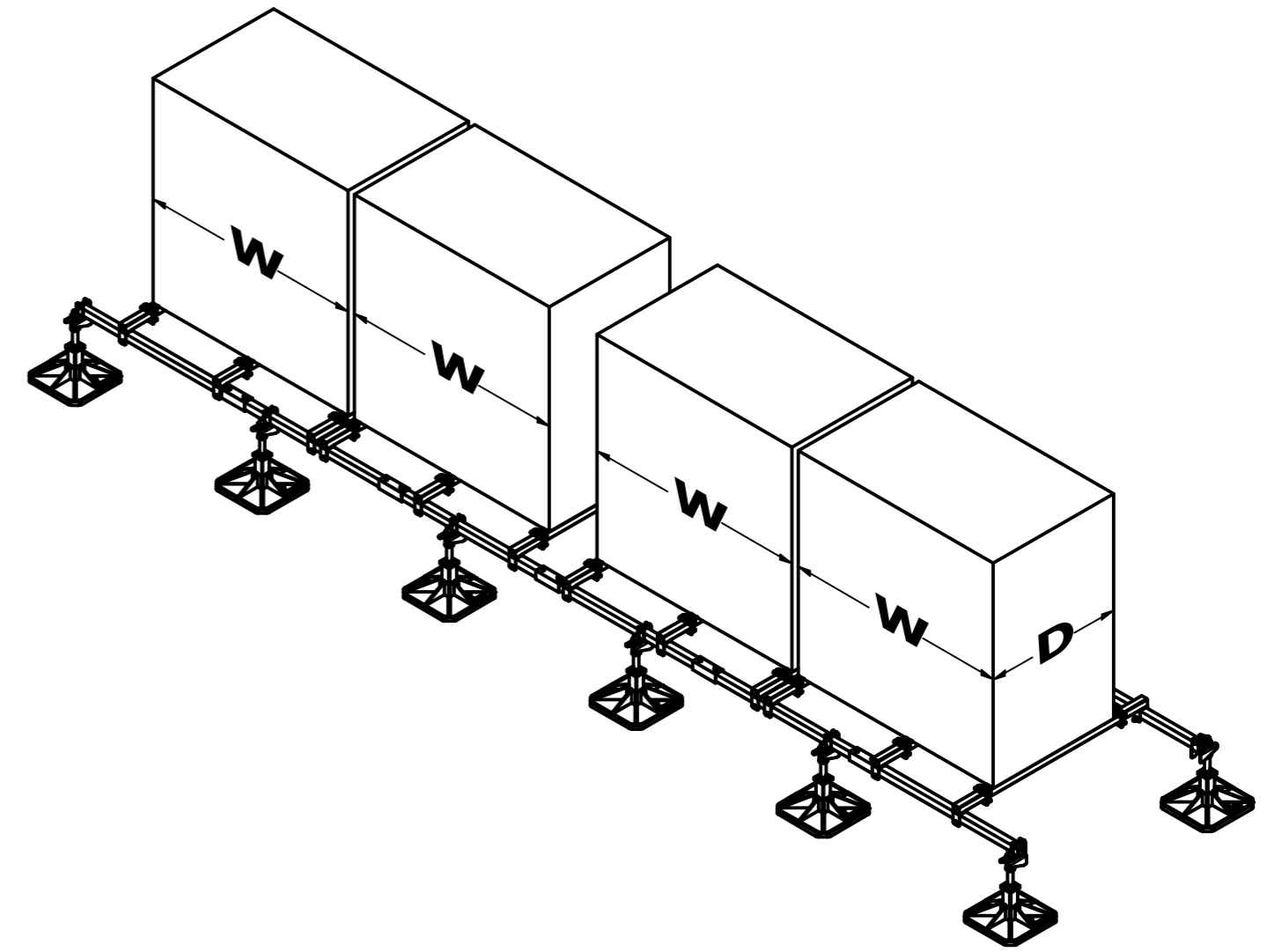
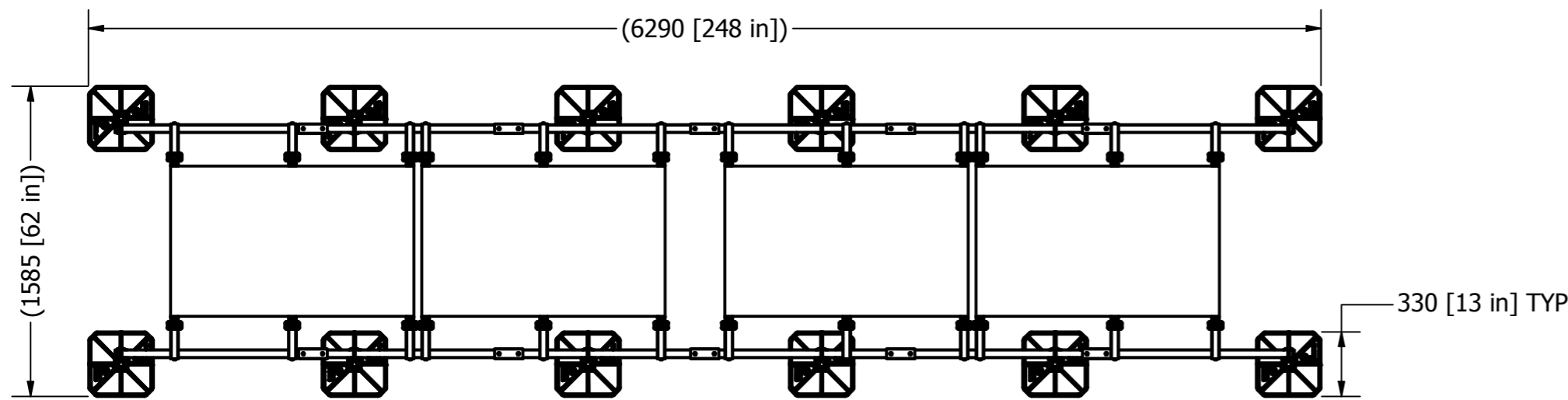
PROJECT REF:	87658-B9720 & (5) 87659-B9721
UNIT REF:	2 DOUBLE MODULE SYSTEMS
FOOT PRESSURE:	N/A
UDL:	N/A

Material grade: BS EN 10219-1:2006 (S235JR). Welding standard: BS EN ISO 15614-1. Galvanizing standard: BS EN ISO 1461:2009
 Reference specification document "Custom Fabrication Specification" (BF-SPEC-050411) for further information
 Reference specification document "Big Foot Systems Cross Bar Specification (BF-SPEC-230610) for further information

MAX UNIT DIMENSION WITH USE OF CLAMPS



OVERALL LENGTH & WIDTH OF FRAME



LONG STUD VERSION IS AVAILABLE (B9720/1 & B9721/1) ADJUSTABILITY 13" - 26"

NOTES:
ALL CROSSBARS ARE FULLY ADJUSTABLE ALONG THE LENGTH OF FRAME
***FROM FLOOR LEVEL TO TOP OF CROSSBAR**

Installation and application considerations should include health, safety and environmental needs, regulations and standards, codes of practice, climate conditions, installation location, product orientation, evaluation of the roof structure, composition, surface and condition, ancillary and complementary products and materials. Big Foot Systems recommend that all rooftop products are handled and installed by suitably qualified persons. All scheme designs are based on the use of Big Foot Systems' products and materials only. Terms and conditions available on request.	REV	DATE: 7/3/2019	SCALE: 1 : 30	A2 TITLE: MULTI FRAME STD LEG DWG No. B9720-005 - 2DBLVRVSYM.dwg	 BIG FOOT SYSTEMS
	A	DRAWN: K MABRY	DIMENSIONS IN mm U.O.S		
	CHECKED:	TOLERANCES: 0.0 ± 0.5mm U.O.S	SHEET 1 OF 1		

THIS DRAWING IS COPYRIGHT AND THE PROPERTY OF BIG FOOT SYSTEMS LIMITED