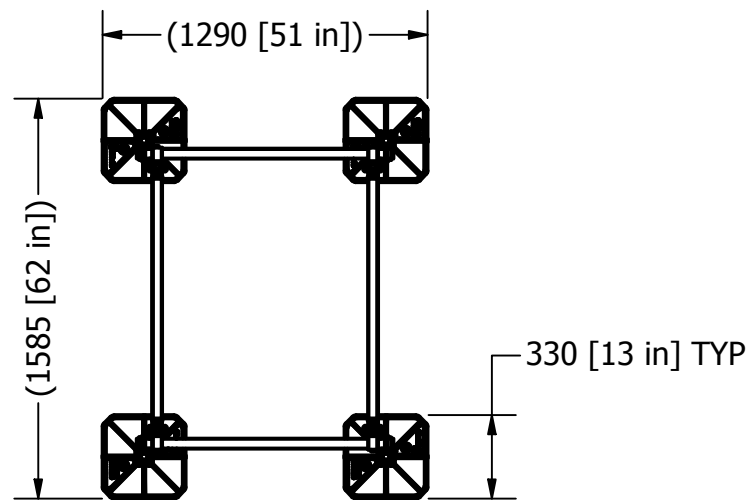


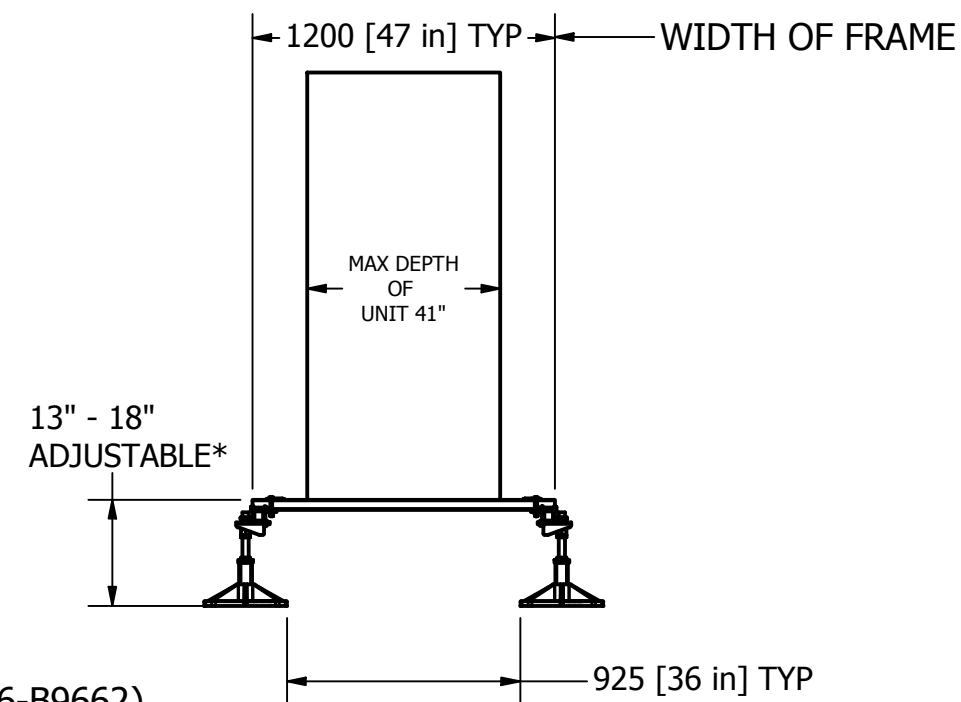
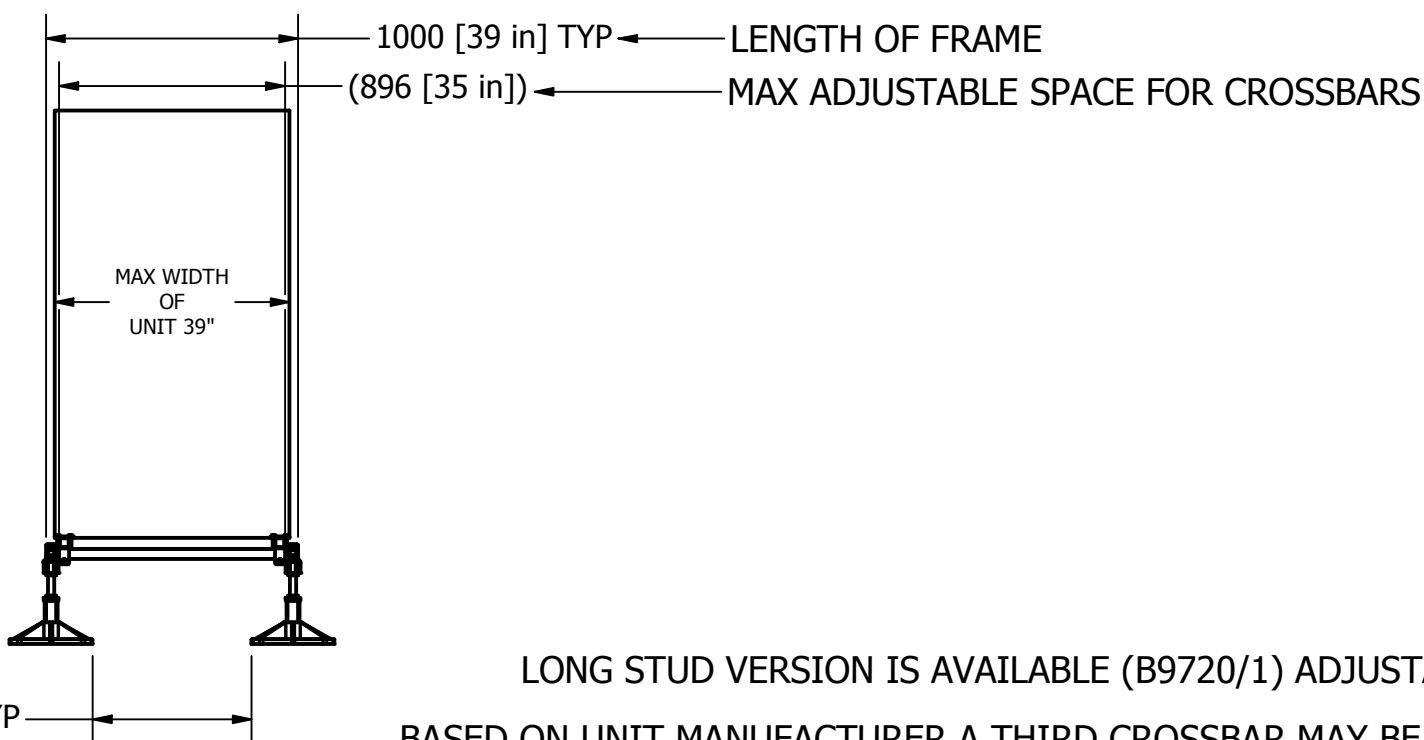
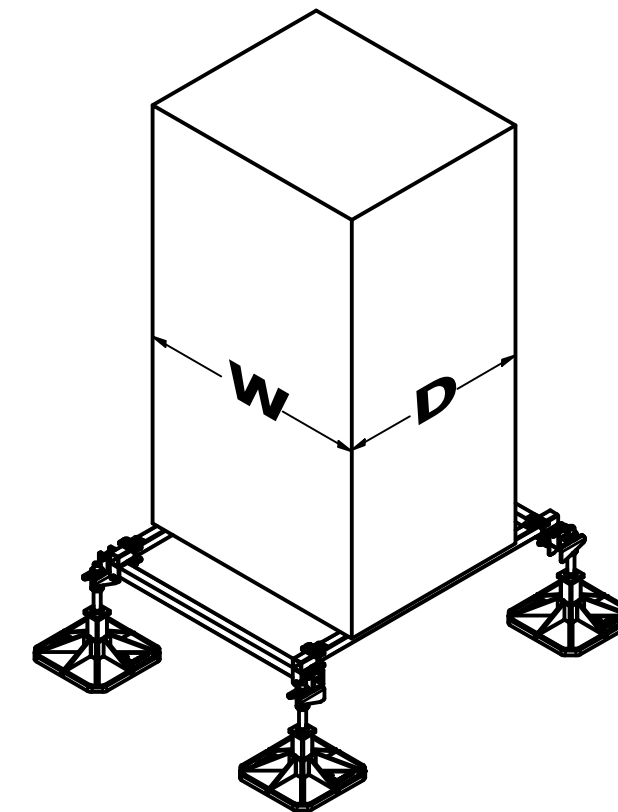
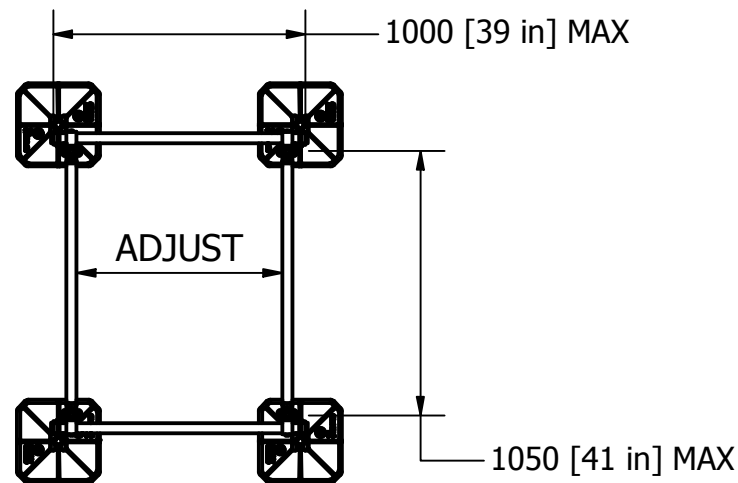
PROJECT REF:	87658-B9720
UNIT REF:	SMALL UNIT SUPPORT
FOOT PRESSURE:	N/A
UDL:	N/A

Material grade: BS EN 10219-1:2006 (S235JR). Welding standard: BS EN ISO 15614-1: 2016. Galvanizing standard: BS EN ISO 1461:2009
 Reference specification document "Custom Fabrication Specification" (BF-SPEC-050411) for further information
 Reference specification document "Big Foot Systems Steel Specification (BF-SPEC-230610) for further information

OVERALL LENGTH & WIDTH OF FRAME



MAX UNIT DIMENSION WITH USE OF CLAMPS

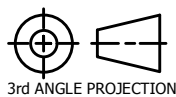


LONG STUD VERSION IS AVAILABLE (B9720/1) ADJUSTABILITY 13" - 26"
 BASED ON UNIT MANUFACTURER A THIRD CROSSBAR MAY BE REQUIRED (87656-B9662)

NOTES:
ALL CROSSBARS ARE FULLY ADJUSTABLE ALONG THE LENGTH OF FRAME
***FROM FLOOR LEVEL TO TOP OF CROSSBAR**

Installation and application considerations should include health, safety and environmental needs, regulations and standards, codes of practice, climate conditions, installation location, product orientation, evaluation of the roof structure, composition, surface and condition, ancillary and complimentary products and materials. Big Foot Systems recommend that all rooftop products are handled and installed by suitably qualified persons. All scheme designs are based on the use of Big Foot Systems' products and materials only. Terms and conditions available on request

REV A	DATE:	7/3/2019
	DRAWN:	K MABRY
	CHECKED:	



SCALE: 1 : 30
DIMENSIONS IN mm U.O.S
TOLERANCES: 0.0 ± 0.5mm U.O.S
SHEET 1 OF 1

A3

TITLE: MULTI FRAME STD LEG
DWG No. B9720-001-EX.dwg
THIS DRAWING IS COPYRIGHT AND THE PROPERTY OF BIG FOOT SYSTEMS LIMITED

