

PROJECT REF:	87658-B9720 & (2) 87659-B9721
UNIT REF:	MULTI UNIT SUPPORT
FOOT PRESSURE:	N/A
UDL:	N/A

Material grade: BS EN 10219-1:2006 (S235JR). Welding standard: BS EN ISO 15614-1: 2016. Galvanizing standard: BS EN ISO 1461:2009  
 Reference specification document "Custom Fabrication Specification" (BF-SPEC-050411) for further information  
 Reference specification document "Big Foot Systems Steel Specification (BF-SPEC-230610) for further information

A

A

B

B

C

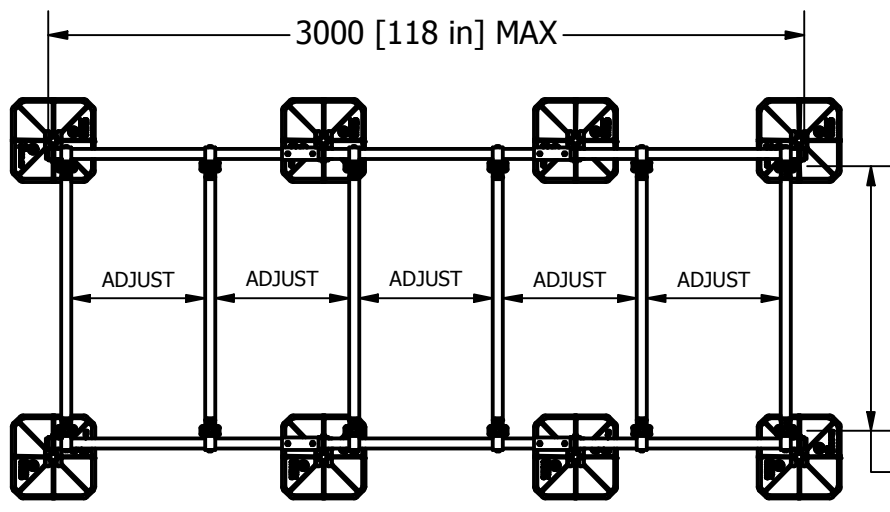
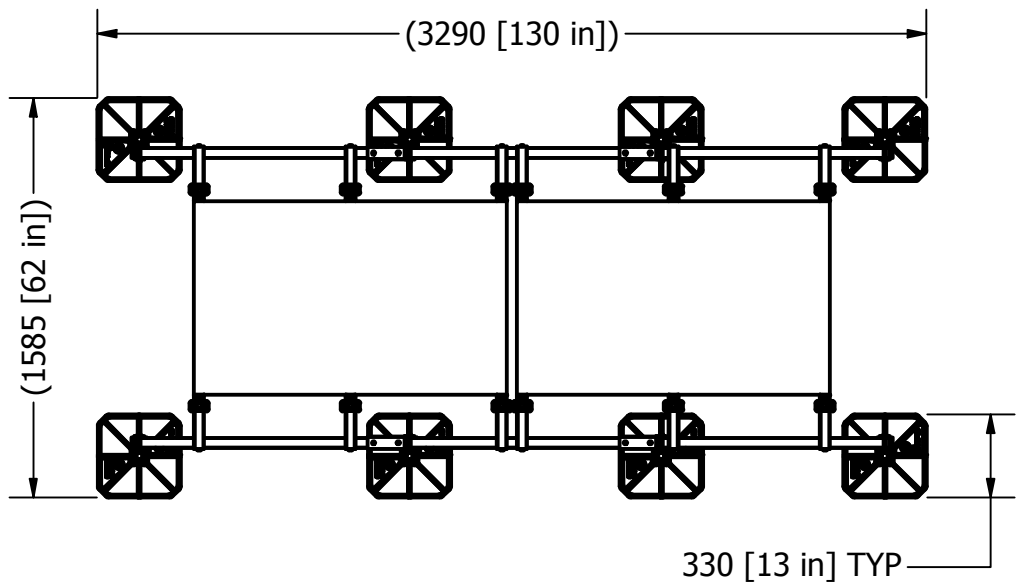
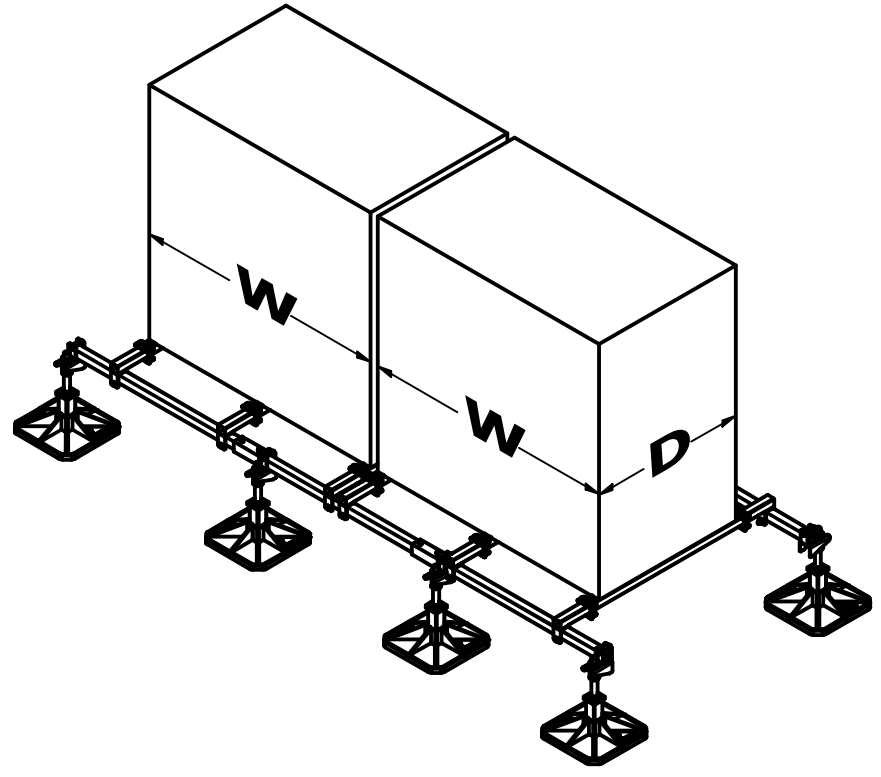
C

D

D

OVERALL LENGTH & WIDTH OF FRAME

MAX UNIT DIMENSION WITH USE OF CLAMPS

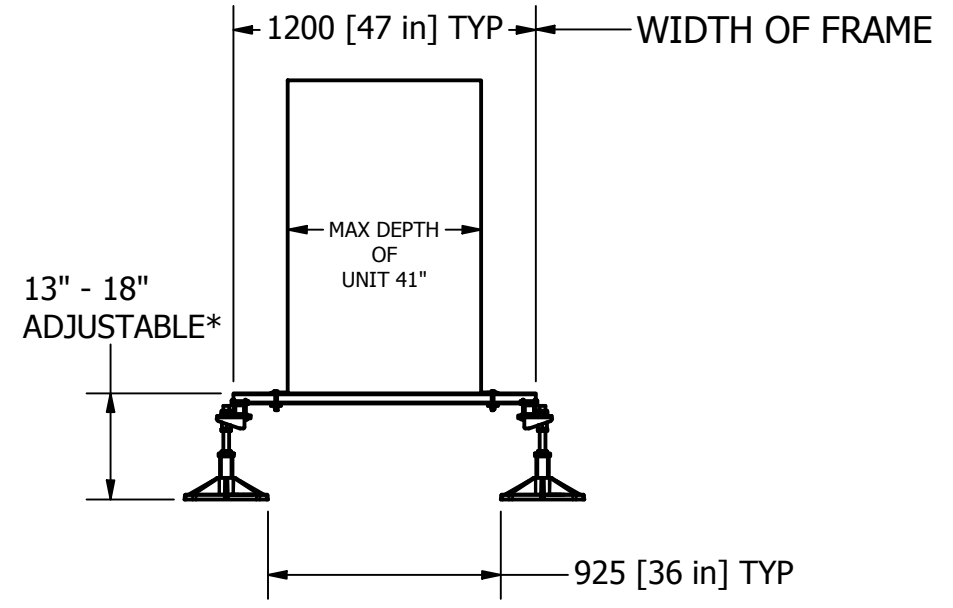
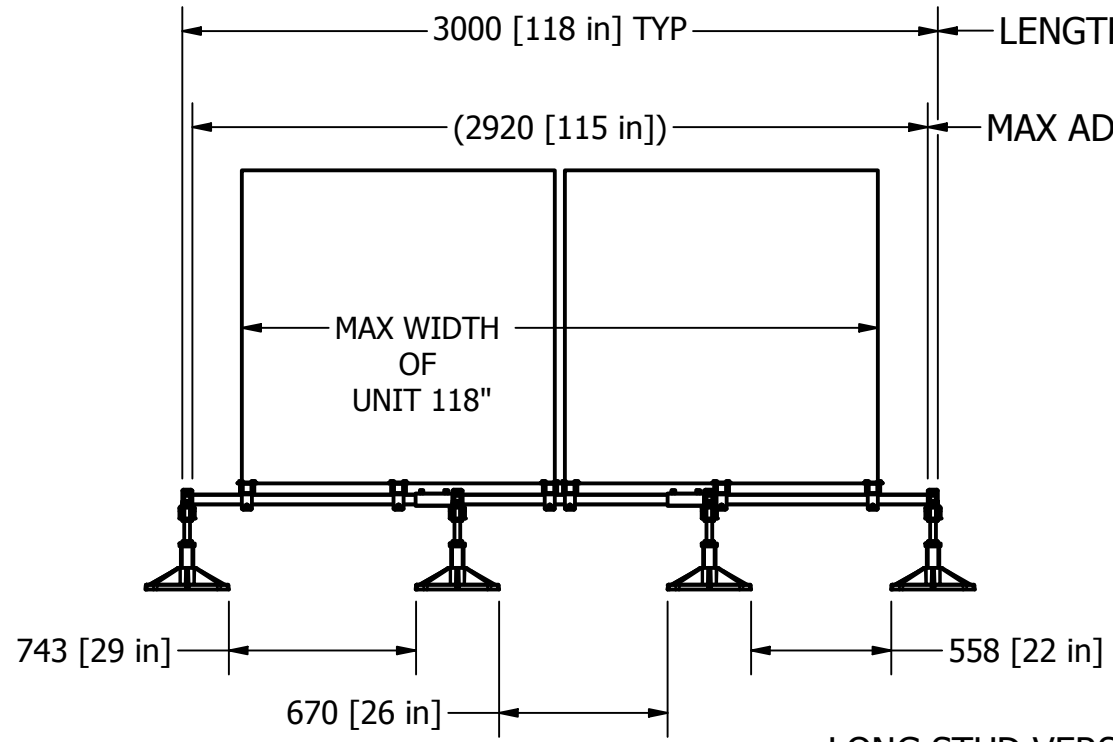


1050 [41 in] MAX

LENGTH OF FRAME

MAX ADJUSTABLE SPACE FOR CROSSBARS

WIDTH OF FRAME



LONG STUD VERSION IS AVAILABLE (B9720/1 & B9721/1) ADJUSTABILITY 13" - 26"

**NOTES:**  
**ALL CROSSBARS ARE FULLY ADJUSTABLE ALONG THE LENGTH OF FRAME**  
**\*FROM FLOOR LEVEL TO TOP OF CROSSBAR**

Installation and application considerations should include health, safety and environmental needs, regulations and standards, codes of practice, climate conditions, installation location, product orientation, evaluation of the roof structure, composition, surface and condition, ancillary and complimentary products and materials. Big Foot Systems recommend that all rooftop products are handled and installed by suitably qualified persons. All scheme designs are based on the use of Big Foot Systems' products and materials only. Terms and conditions available on request

REV A	DATE:	6/27/2019
	DRAWN:	K MABRY
	CHECKED:	

SCALE:	1 : 30
DIMENSIONS IN	mm U.O.S
TOLERANCES:	0.0 ± 0.5mm U.O.S
SHEET	1 OF 1

**A3**

TITLE:	MULTI FRAME STD LEG
DWG No.	B9720-003-2VRVMOD.dwg
THIS DRAWING IS COPYRIGHT AND THE PROPERTY OF BIG FOOT SYSTEMS LIMITED	

