



**BIG FOOT
SYSTEMS**

Multi Foot

Typical Application

For supporting small and large pipe work systems, ductwork runs, cable trays or any combination of these.

Dimensional Data & Product Weights

Two sizes of Multi Foot are available:

Multi Foot	Length (mm)	Width (mm)	Height (mm)	Weight (Kg)	Part number
SMALL	400	180	95	1.7	B6357
LARGE	600	220	95	2.8	B6359

Optional anti vibration mats available:

AV Mats	Weight (Kg)	Part number
SMALL	2.5	B6358
LARGE	4.5	B6360

Accommodates

- 40 x 20mm Aluminium Channel (Horizontally)
- 41 x 41mm Unistrut (Vertically)
- 41 x 21mm Unistrut (Horizontally)
- M12 Threaded Drop Road (Vertically)

Please note that the Multi Foot is supplied WITHOUT any fixings or fittings



Working Conditions

Suitable for internal or external applications in temperatures between -30°C to +80°C.

Loading

Multi Foot (per foot)	Max. recommended load (Kg)†
SMALL	77
LARGE	142

† Maximum recommended load per foot producing a loading of 10.0 kN/m².
If conditions allow, the maximum load per foot is 500 Kg

Plastic Foot

Material – Nylon 6 B601L 30% Glass Fibre Filled

Property	Test Method ASTM	Test Method ISO Equiv	Units	Value 30%
Physical				
Specific gravity	D792	ISO 1183	Kg/m ³	1.36
Water Absorbtion	D570	ISO 62	%	1.1
Mould Shrinkage (flow)		ISO 2577	%	0.35
Mechanical				
Tensile Strength	D638	ISO 527	MPa	60
Elongation at break	D638	ISO 527	%	5
Flexural Strength	D790	ISO 178	MPa	105
Flexural modulus	D790	ISO 178	Gpa	5.3
Notched Charpy Impact		ISO 179/1eA	kJ/m ²	35
Unnotched Charpy Impact		ISO 179/1eU	kJ/m ²	
Thermal				
Melting Point		ISO 3146	°C	
Vicat Softening Point	D789	ISO 12188	°C	
Deflection Temperature	D648	ISO 75	°C	
			A 1.85 Mpa	145
			A 0.46 Mpa	40
Flammability				
UL94 m/m		ISO 75		V2

All data generated from specimens moulded in natural material, stored in a dry atmosphere (no more than 0.2% moisture). The inclusion of colour pigments or other additives may change some of the test results All technical information supplied is accurate and reliable to the best of our knowledge. The information is given without warranty or guarantee and is intended for initial guidance or comparative purposes.

Anti Vibration Mat

Quality Assurance

Raw materials are selected from ISO9002 registered suppliers

Construction

Pressure moulded using a one or two part mix, utilising milled, sieved & graded Styrene Butadiene Rubber (SBR-Recycled Rubber). Bound using a ratio of high quality moisture curing Polyurethane Pre-Polymer. Manufactured with a built in shrinkage allowance.

Safety Standards

All parts of British Standard BS7188:1989 & BS5696 Part 3:1979

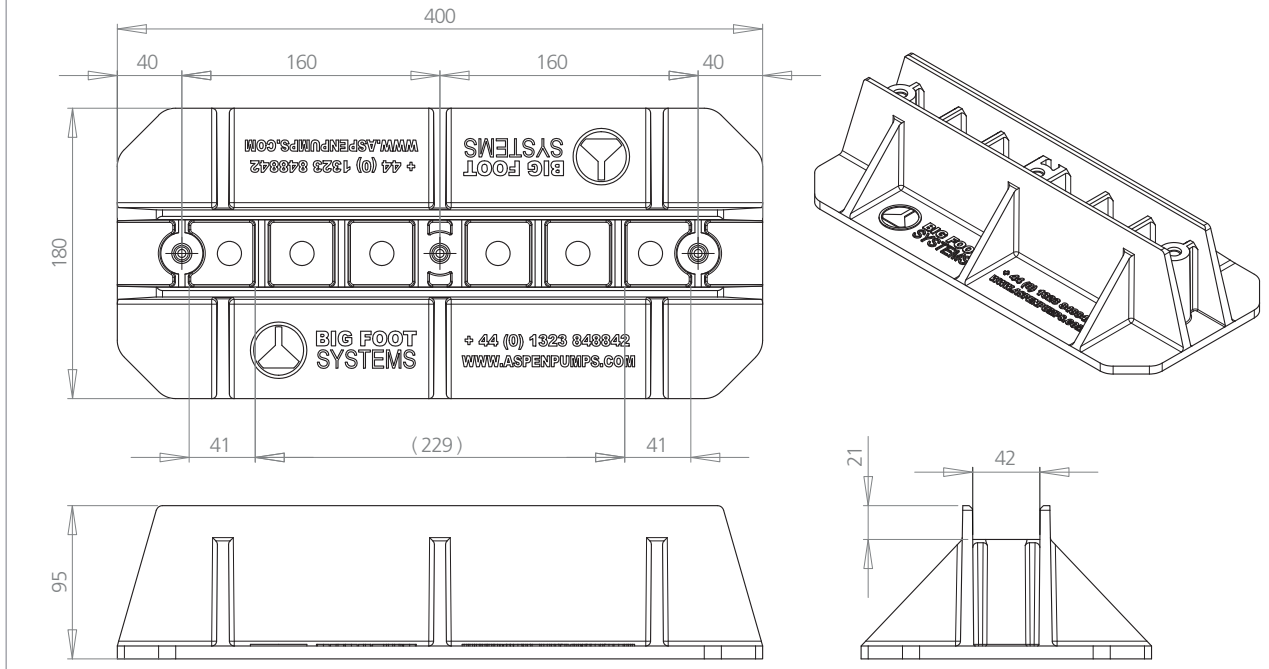
European Standard PR EN 1177

U.S.A. Standard ASTM F 1292-99

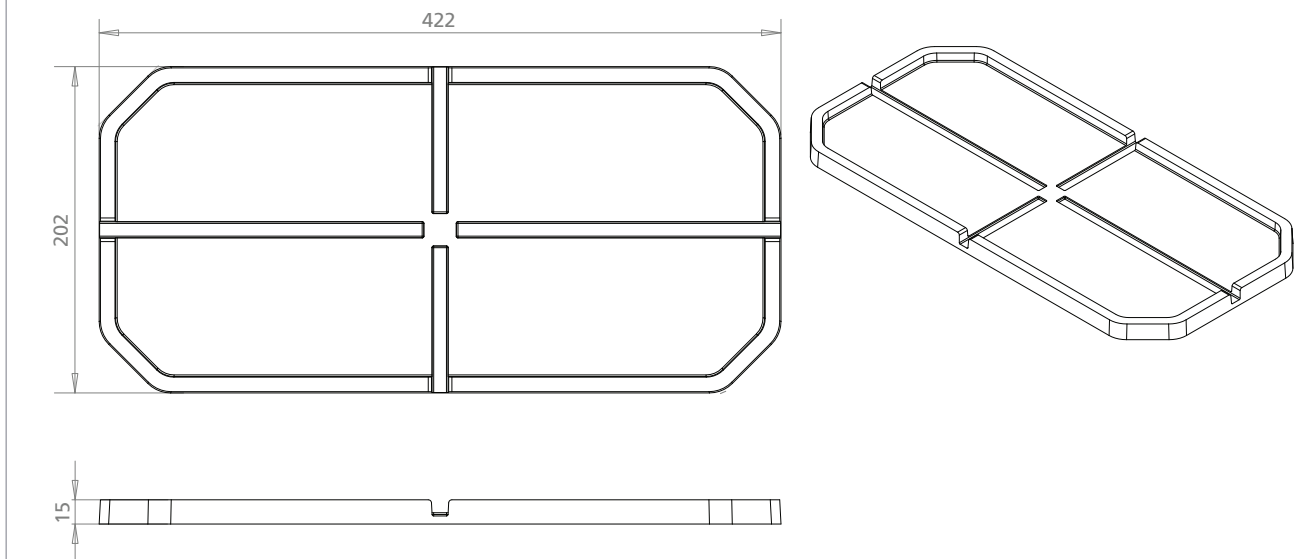


Big Foot Systems takes no responsibility for the condition of the roof on which our equipment is to be used. You must ensure that the substrate on which the Big Foot is intended for use is structurally sound enough to take the weight and point loadings we have indicated. All Big Foot products must be installed in line with the guarantees and recommendations of the manufacturer of the roofing system. The manufacturer of PVC membranes should advise on the susceptibility migration of plasticizers and specific recommendations should be adhered to so that the roof guarantee is not affected.

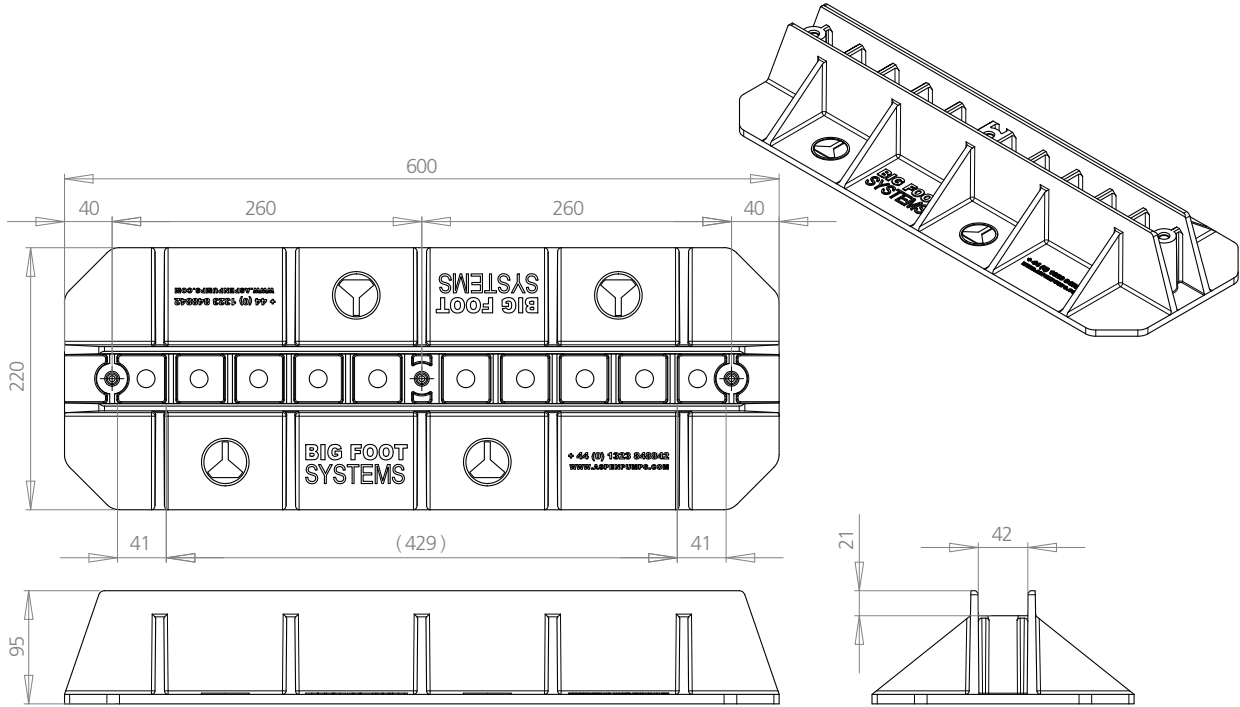
B6357 - Small (400mm) Multi Foot



B6358 - Small AV Mat



B6359 - Large (600mm) Multi Foot



B6360 - Large AV Mat

