



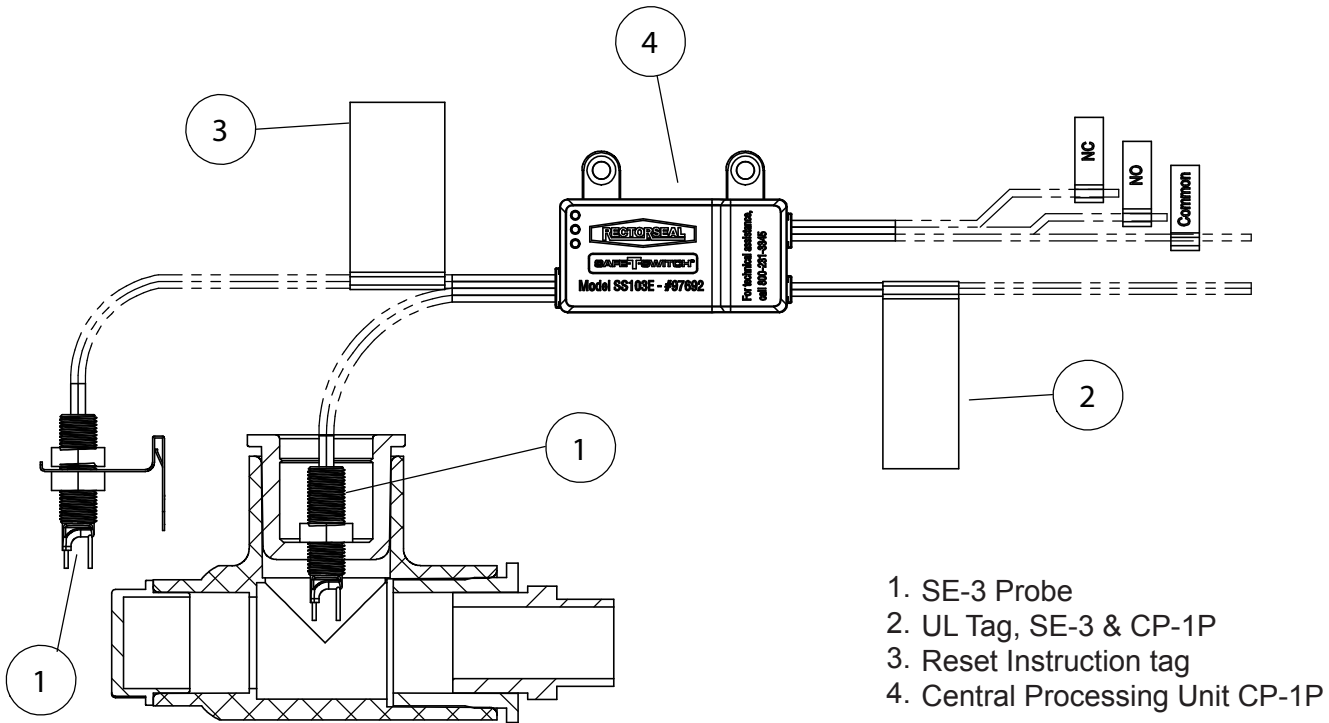
IND. CONT. E.Q.
25XE

Safe-T-Switch® Model 103E

Description:

Safe-T-Switch® Model SS 103E is an dual sensor overflow shut-off switch designed to fit in the primary drain line and auxillary drain pan or auxillary drain outlet and auxillary drain pan. It can be installed horizontally or vertically, inline or on the primary pan's auxillary drain outlet by using the included 3/4" adapter, bushing and cap.

The SS 103E's logic circuit continuously samples the probes for water and shuts down the system if water is detected.



RECTORSEAL 2601 Spenwick Dr Houston, TX 77055 800-231-3345 www.rectorseal.com			
Part Name Electronic Condensate Overflow Switch SS 103E			
			Date 6/6/14
			Revision A

Characteristics:

- Tested to UL 508 - Code compliant
- Low power consuming, state-of-the-art microelectronics
- Dual sensors for extra protection
- Onboard LED's indicates the condition of the unit
- Automatically resets once water subsides
- No moving parts
- 5 wire design for use on all types of thermostats