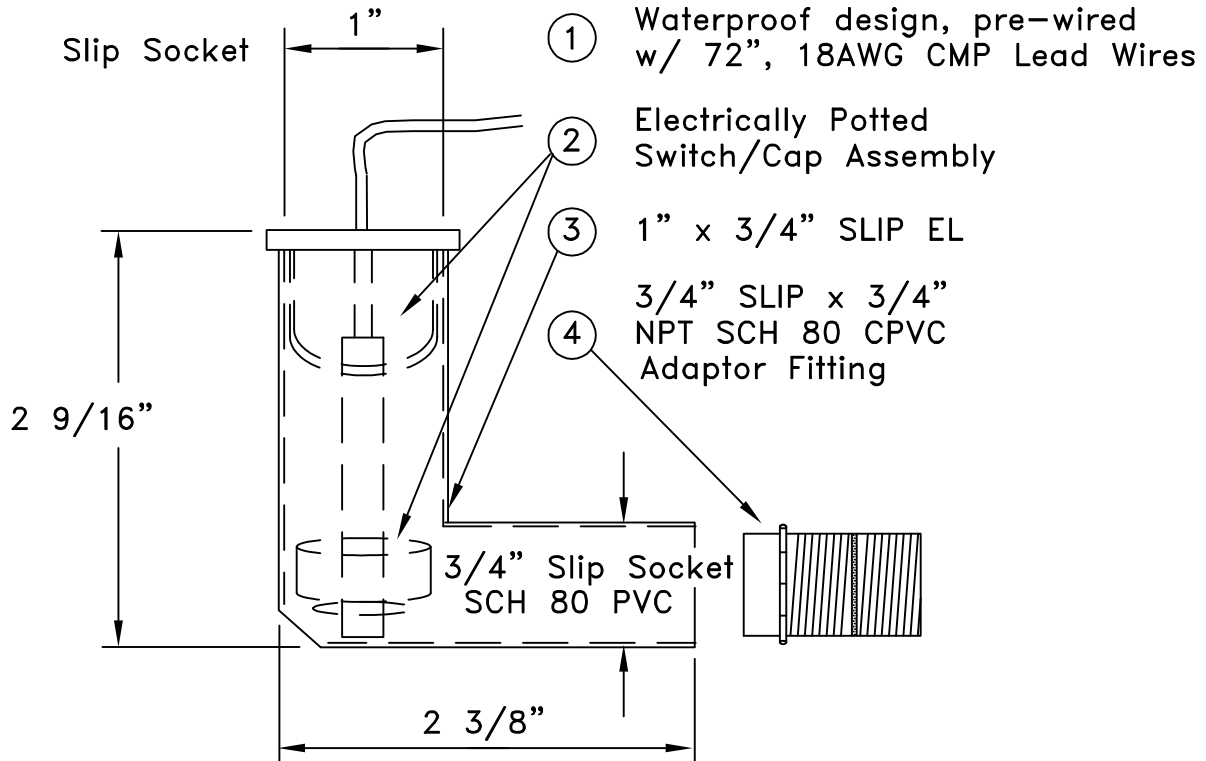


SAFE-T-SWITCH® MODEL SS2AP



COMMENTS/REQUIREMENTS:

- * Potted, electrically water sealed reed/magnet switch design.
- * UL508 and UL2043 Compliant
- * Schedule 80 CPVC components.
- * 24 VAC
- * 1.25 Amp switching capacity



SAFE-T-SWITCH MODEL SS2AP
3/4" Closed Coupled Plenum-rated
Condensate Drainpan Overflow Kit



E209344
IND. CONT. EQ
75MF