

5

4

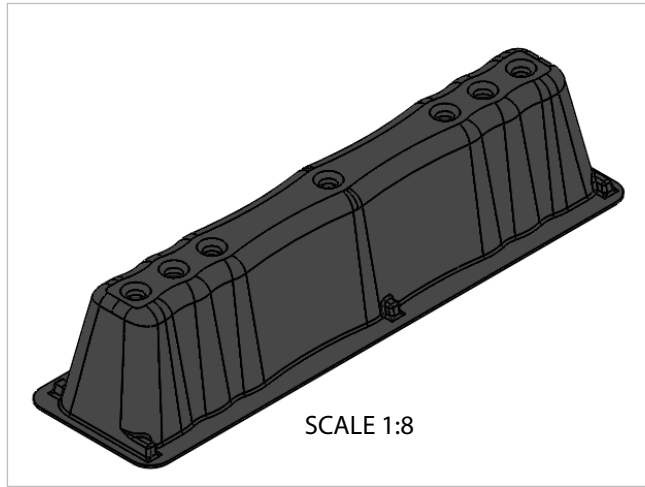
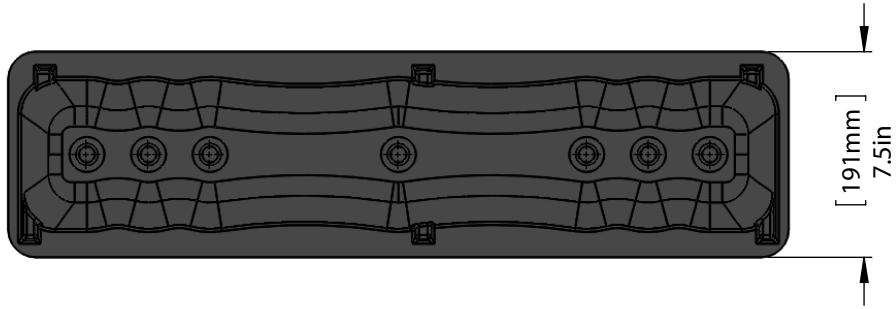
3

2

1

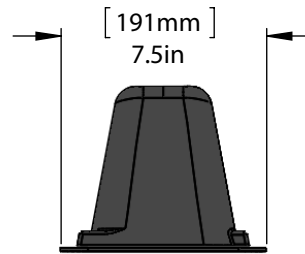
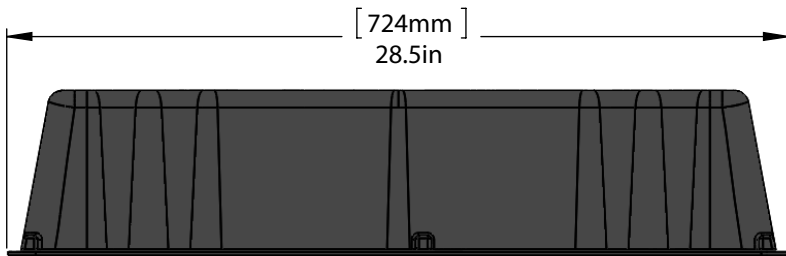
C

C



B

B



NOTES:

- Extreme Temperature Durability (-40°F to 260°F).
- High Tensile Strength.
- Crack/Split/Leak/Rust Resistant.
- Self Extinguishing.
- Made With Pride in the USA

UNLESS OTHERWISE SPECIFIED:

DIMENSIONS ARE IN INCHES
 TOLERANCES:
 FRACTIONAL ±.032
 ANGULAR: MACH ±.5° BEND ±2°
 TWO PLACE DECIMAL ±.010
 THREE PLACE DECIMAL ±.005

INTERPRET GEOMETRIC TOLERANCING PER: ANSI Y14.5, 2009

ENGINEERING	NAME	DATE
DRAWN BY ENG.	DS	8/6/09
CHECKED BY ENG.	JK	8/6/09
ENG APPR.	CC	8/6/09
MFG APPR.	CC	8/6/09

PROPRIETARY AND CONFIDENTIAL

THE INFORMATION CONTAINED IN THIS DRAWING IS THE SOLE PROPERTY OF RECTORSEAL. ANY REPRODUCTION IN PART OR AS A WHOLE WITHOUT THE WRITTEN PERMISSION OF RECTORSEAL IS PROHIBITED.



2601 Spenwick Drive,
 Houston, TX 77055
 800-231-3345

TITLE:

AG-GFR 28.5 x 6 SPECIFICATION SHEET

SIZE
A

SCALE: 1:7

SHEET 1 OF 1

5

4

3

2

1

A