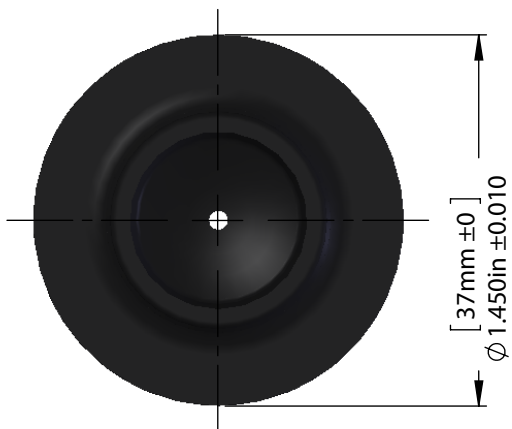
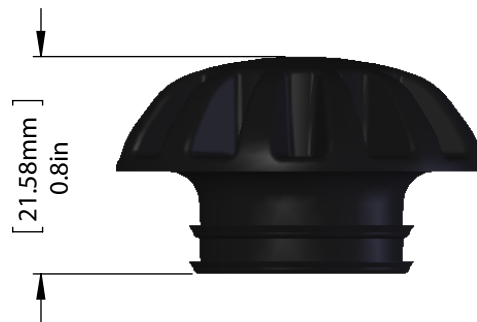
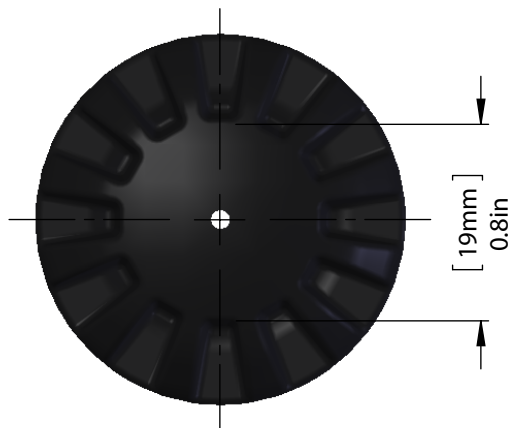


C



C

B



B

ENGINEERING	NAME	DATE
DRAWN BY ENG.	DS	4/1/09
CHECKED BY ENG.	JK	4/1/09
ENG APPR.	CC	4/1/09
MFG APPR.	CC	4/1/09



2601 Spenwick Drive,  
 Houston, TX 77055  
 800-231-3345

A

UNLESS OTHERWISE SPECIFIED:

PROPRIETARY AND CONFIDENTIAL

DIMENSIONS ARE IN INCHES  
 TOLERANCES:  
 FRACTIONAL ±.032  
 ANGULAR: MACH ±.5° BEND ±2°  
 TWO PLACE DECIMAL ±.010  
 THREE PLACE DECIMAL ±.005

THE INFORMATION CONTAINED IN THIS DRAWING IS THE SOLE PROPERTY OF RECTORSEAL. ANY REPRODUCTION IN PART OR AS A WHOLE WITHOUT THE WRITTEN PERMISSION OF RECTORSEAL IS PROHIBITED.

TITLE:  
**AG-GFR VIBRATION ISOLATOR SPECIFICATION SHEET**

SIZE <b>A</b>	SCALE: 2:1.5	SHEET 1 OF 1
------------------	--------------	--------------

Notes:  
 MADE FROM DURABLE, HEAT RESISTANT RUBBER.