



A CSW Industrials Company

TRUaire 4010FG Series

Stamped Steel 1/2" Blade Spacing T-B Lay-In Return Air Filter Grille

Model: _____ Size: _____

Project Information:

Job Name: _____

Location: _____

Engineer: _____

Submitted to: _____

For: Reference Approval Construction

Submitted by: _____

Reference: _____

Submittal Information:

Approval: _____

Date: _____

Construction: _____

Unit #: _____

Drawing #: _____

Construction Options

R6 Molded Universal Insulated Back (Only Available on 24" x 24" Ceiling Module with 1" Deep Filter)

R4 Insulated Duct Board

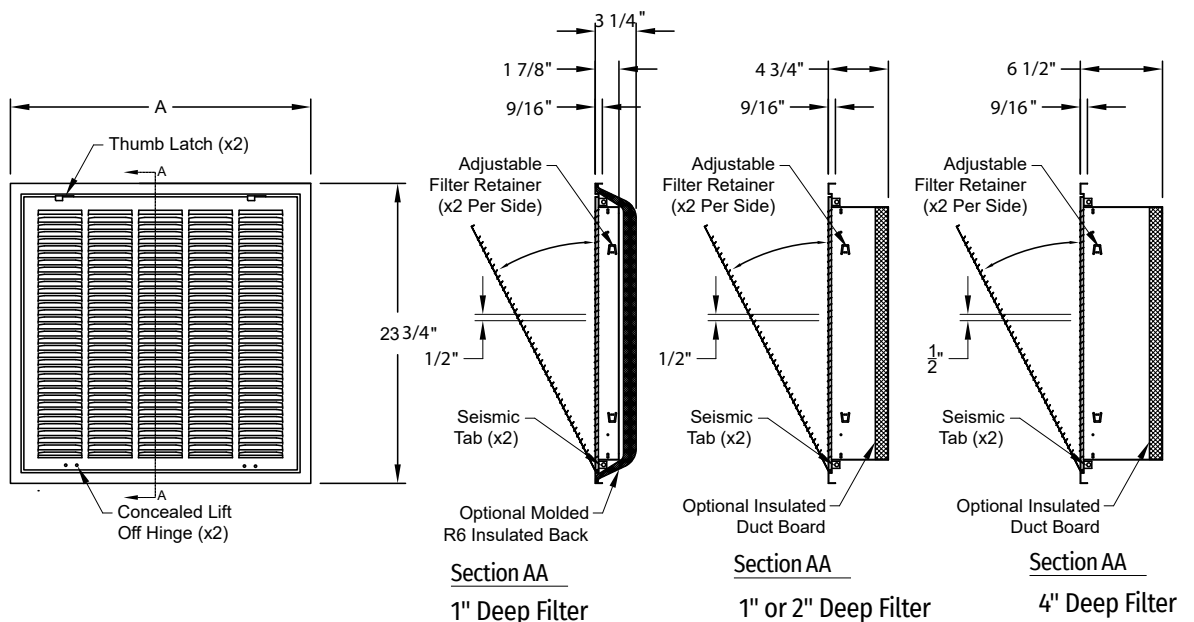
R6 Insulated Duct Board

(Sec. I) Features

- Accepts 20" x 20" Filter Provided by Others
- Removable Face
- Pristine White Powder Coat Finish

Ceiling Module Size	Dim "A"
24" x 24"	23 3/4"
48" x 24"	47 3/4"

(Fig. I) Product Image:



RectorSeal® • 2601 Spenwick Drive • Houston, TX 77055 • 800-231-3345 • rectorseal.com

A CSW Industrials Company. RectorSeal, the logos and other trademarks are property of RectorSeal, LLC, its affiliates or its licensors and are protected by copyright, trademark and other intellectual property laws, and may not be used without permission. RectorSeal reserves the right to change specifications without prior notice. ©2023 RectorSeal. All rights reserved. R50956-0323