



A CSW Industrials Company

PRODUCT DATA SHEET

SAFE-T-SWITCH® SC1

Inline Schrader valve cleanout device for condensate drain line outlets

Description

Safe-T-Switch® Model SC1 inline cleanout device allows quick and easy access for cleaning of condensate drain lines. Device includes an integrated, easy-access Schrader valve for pressure cleaning. The directional cleaning tool can be used for both pressure and vacuum



US Patent No. 10,406,570

Installation Instructions:

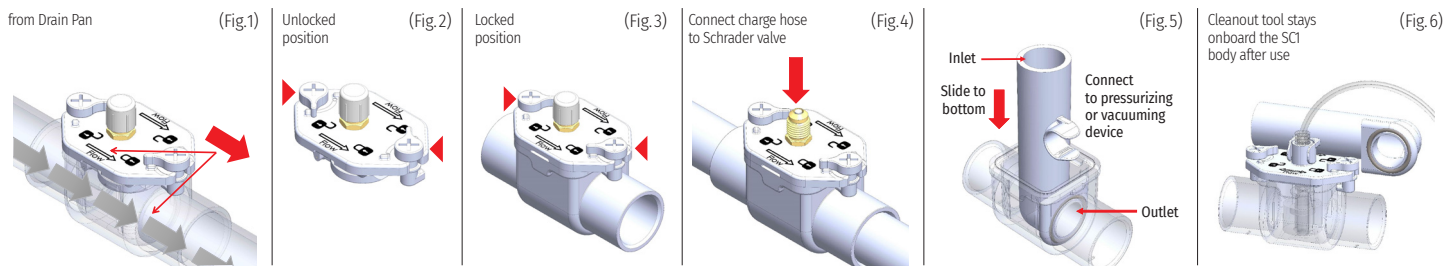
Notice: failure to read and comply with all warnings, cautions and instructions prior to starting installation may cause personal injury and/or property damage and void the warranty.

Note: this device works with both 3/4" and 1" drain pipes.

For use with 1" drain pipe, add 1" x 3/4" socket couplings (not included) to the SC1 ends.

INSTRUCTIONS FOR 3/4" DRAIN PIPE

1. Disconnect power to the air conditioner (A/C) unit at the main panel. 2. Install the Tee in line with the drain line and glue properly. (A) Ensure the arrows are pointing away from the drain pan (Fig 1). (B) Ensure there is enough space to access the Schrader valve, or open the cap. (C) This product can be installed horizontally or vertically. 3. Secure the Cap Subassembly (A) Rotate the two Cam Locks to the UNLOCK position (Fig 1). (B) Place the Cap Subassembly in the Tee, then rotate the two Cam Locks to the LOCK position (Fig 2). DO NOT GLUE THE CAP SUBASSEMBLY INTO THE TEE. 4. Test all drain and fitting connections for plumbing leaks 5. Insulate the device if installed in garage or attic. 6. Place the included Warning Sticker on a visible surface, such as the air handler, furnace or condensing unit. 7. Reconnect power to the (A/C) unit.



Packaging

Code	Size	Qty. per Case	Lbs. per Case	Cubic Ft per Case
97091	Safe-T-Switch SC1	24	9	1.01

CLEANING DRAIN LINE USING SCHRADER VALVE

Note: Recommended for use with RectorSeal LineShot™. Nitrogen and CO₂ pressure vessels must be operated by HVAC professionals ONLY.

1. Remove Schrader Valve Cap. 2. Attach a standard HVAC charge hose (which is included in RectorSeal LineShot™ package) to the Schrader valve (Fig 4). **⚠ WARNING** ENSURE THE TWO CAM LOCKS ARE LOCKED. FAILURE TO DO SO MAY CAUSE CAP BLOW OUT AND SEVERE PERSONAL INJURY. 4. Clear the drain line by blowing CO₂ or Nitrogen through the Schrader valve. (A) DO NOT apply more than 30 psi into the drain line. **⚠ WARNING** Overpressure may cause pipeline damage, and personal injuries. (B) Start from low pressure. Blow intermittently. 5. Stop blowing. Make sure the CO₂ or Nitrogen is completely turned off. Disconnect the attached hose from the Schrader valve. 6. Replace the Schrader Valve Cap securely.

CLEANING DRAIN LINE USING DIRECTIONAL CLEANOUT TOOL

1. **Detach the Cleanout Tool from the Cap/Float Subassembly.** 2. Remove Cap Subassembly from the Tee. Note: If the Tee is filled with water, water may drip when the Cap is opened. Place a small container underneath to collect water. 3. Clear debris or any other obstacles inside the Tee and around the Cap Subassembly. 4. **Face the Cleanout Tool outlet towards the drain line to be cleaned** (Fig 5) (either upstream or downstream, depending on where the blockage is). Insert the Cleanout Tool into the Tee. 5. Attach a pressurizing (or vacuuming) device (such as RectorSeal Mighty Pump™, RectorSeal Lineshot™, or shop vac) to Cleanout Tool's inlet. Pump or vacuum until the blockage is cleared. 6. Completely shut off the pressurizing (or vacuuming) device and disconnect it from Cleanout Tool. 7. Remove the Cleanout Tool from the Tee and clip it onto the Cap/Float Subassembly (Fig 6). 8. Install the Cap Subassembly back into the Tee. Rotate the two Cam Locks to the LOCK position.

Maintenance

Open the Cap/Float Subassembly to inspect, clean and test this device at least every 30 days and following every cleaning of the drain line. 1. Remove the Cap Subassembly. 2. Clear debris or any other obstacles inside Tee and around the Cap Subassembly. 3. Check for any damage. If damage is observed, replace this product with a new one. 4. Add RectorSeal's Nu-Line™ drain Cleaner to prevent algae build-up and clogs. 5. Reinstall and secure the Cap Subassembly.

IMPORTANT SAFETY INFORMATION:

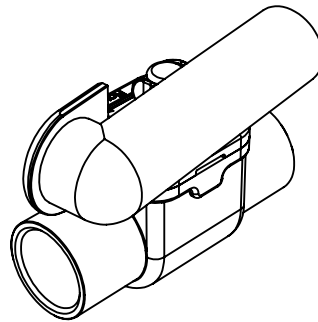
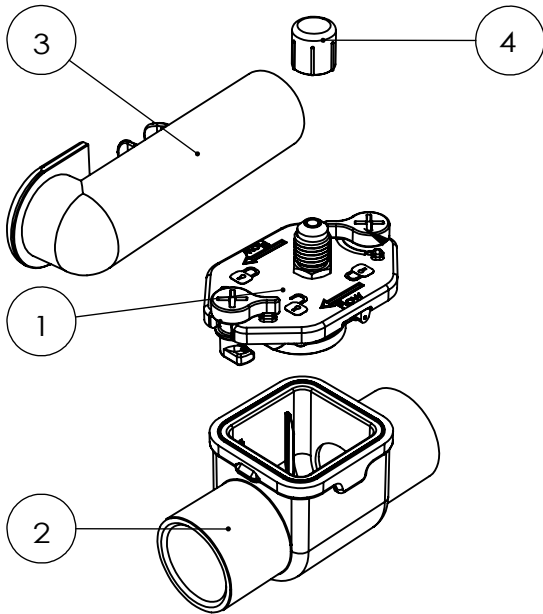
- ⚠ WARNING** This device must be installed strictly in accordance with manufacturer's instructions (to ensure proper operation) and in accordance with all applicable local plumbing and drainage codes.
- ⚠ CAUTION** This product is intended for use in water only. Not for use in the presence of flammable liquids or vapors.
- ⚠ CAUTION** Refer to the appropriate HVAC equipment operation manual prior to installing this product.

SAFE-T-SWITCH® SC1

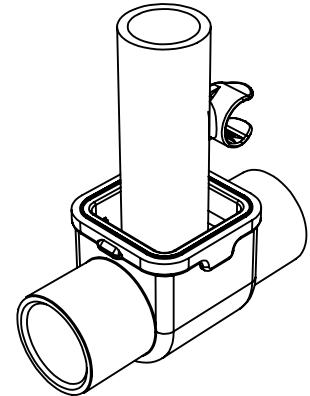
Inline Schrader valve cleanout device for condensate drain line outlets

Safe-T-Switch SC1 Assembly

SIZE	DRAWING		REV	SCALE	WEIGHT
	Number	Date			
A	ASB00455	5/8/2020	01-001-A	1:2	--



Installed Status
Cleanout tool is clipped and stored onboard the SC1 body



Cleanout Status
Cleanout tool is inserted inside the SC1 body during cleanout

Item No.	Part Number	Description	Quantity
1	ASB00456	SC1 Cap Assembly	1
2	FAB01281	SS1/SC1 Housing	1
3	ASB00451	L Shape Cleaning Tube Assembly	1
4	STK00303	Threaded Cap for 37° Flared Tube Fitting	1

The information contained in this drawing is the sole property of RectorSeal. Any reproduction in part or as a whole without the written permission of RectorSeal is prohibited.

Limited Warranty

RectorSeal, LLC makes the Limited Express Warranty that when the instructions for storage and handling of our products are followed we warrant our products to be free from defects. THIS LIMITED EXPRESS WARRANTY IS EXPRESSLY IN LIEU OF ANY OTHER EXPRESS OR IMPLIED WARRANTIES, INCLUDING ANY IMPLIED WARRANTY OF MERCHANTABILITY OR FITNESS FOR A PARTICULAR PURPOSE, AND OF ANY OTHER OBLIGATION ON THE PART OF RectorSeal, LLC. The sole remedy for breach of the Limited Express Warranty shall be the refund of the purchase price. All other liability is negated and disclaimed, and RectorSeal, LLC shall not be liable for incidental or consequential damages.

Manufactured by

RectorSeal, LLC

2601 Spenwick Drive • Houston, TX 77055, USA • 800-231-3345 • Fax 800-441-0051 • rectorseal.com

A CSW Industrials Company. RectorSeal, the logos and other trademarks are property of RectorSeal, LLC, its affiliates or its licensor's and are protected by copyright, trademark and other intellectual property laws, and may not be used without permission. RectorSeal reserves the right to change specifications without prior notice. ©2020 RectorSeal. All rights reserved. R50109-0620