



BOTTOMTHREAD

BBB BOTTOM BRACKET /BB0-39

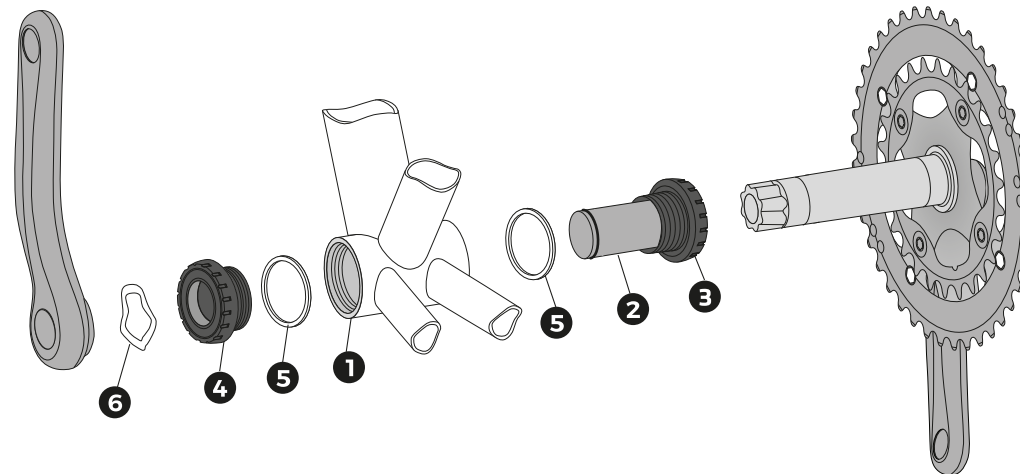
BBB CYCLING.COM
ROOSEVELTSTRAAT 46, 2321 BM
LEIDEN, THE NETHERLANDS

EN MANUAL / DE HANDBUCH / FR MANUEL / NL HANDLEIDING / ES MANUAL / PT MANUAL / IT MANUALE / HU HASZNÁLATI UTASÍTÁS / PL PODRECZNIK / CZ UŽIVATELSKÁ PŘÍRUČKA / JP 使用説明書 / RU РУКОВОДСТВО ПОЛЬЗОВАТЕЛЯ / SK MANUÁL / NO HÅNDBOK

- COMPONENTS:**
- ① Bottom bracket shell
 - ② Plastic sleeve (x1)
 - ③ Drive side cup (x1)
 - ④ Non-drive side cup (x1)
 - ⑤ Spacers (1 x2 - 2.5 x3)
 - ⑥ Wave spring washer (x1)

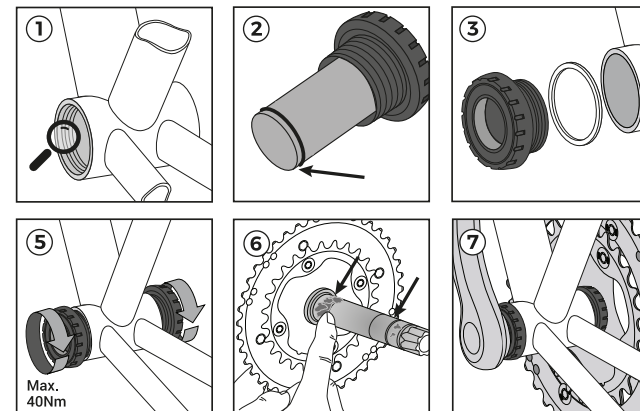
COMPATIBILITY
BSA 68/73mm + Ø24mm spindle cranksets

- RECOMMENDED TOOLS**
- BTL-27L BracketGrip
 - Torque wrench
 - Caliper or ruler
 - Grease



- IMPORTANT:**
- Before installing ensure the BB shell ① is clean and free of metal chips, dirt and excess paint.
 - Inspect the BB shell ① for width, inner diameter, ovalization or anything that could cause bearing mis-alignment.
 - Always use a calibrated torque wrench to tighten crank bolts.
 - BBB Cycling cannot guarantee compatibility with you frame and/or crank combination.
 - consult your manufacturer for compatibility.
 - BBB Cycling cannot be held responsible for any damage occurred during assembly.
 - The wave spring washer should not be completely compressed for proper use.

- INSTALLATION:**
1. Ensure sure the BB shell ① is clean and free of metal chips, dirt and excess paint.
 2. Apply a little bit of grease on the edges of the plastic sleeve ②
Do not use PTFE, anti-seize or thread locking compound.
 3. Add spacers ⑤ as noted below. If binding occurs or the crankset gets loose over time, try removing spacers or use the Wave spring washer ⑥ to add preload on the bearings and crankset.
 4. First insert the drive side cup ③ then insert non-drive side cup ④, until the threads engage.
Make sure you do not cross-threads the cups and that the plastic sleeve ② is properly seated.
 5. Use the BracketGrip cup tools to tighten until the lip of the cups are flush against the BB shell ① (Max. 40Nm).
 6. Apply grease to the surfaces of the spindle that will contact the bearings.
 7. Install crankset following manufacturers specifications.



| CRANK | BB SHELL WIDTH | NON-DRIVE SIDE SPACER | DRIVE SIDE SPACER |
|-------|----------------|-----------------------|-------------------|
| Road | 68 | 1mm | 1mm |
| MTB | 68 | 2.5mm | 5mm (2x2.5) |
| MTB | 73 | 0 | 2.5mm |

FIND YOUR TRANSLATION ON BBBCYCLING.COM



WARNING

Sold only by professional bicycle dealers. For proper installation, ask your BBB dealer. Not following the instructions in this manual may cause damage to the product not covered under warranty, damage to the bicycle, or cause an accident resulting in injury or death.