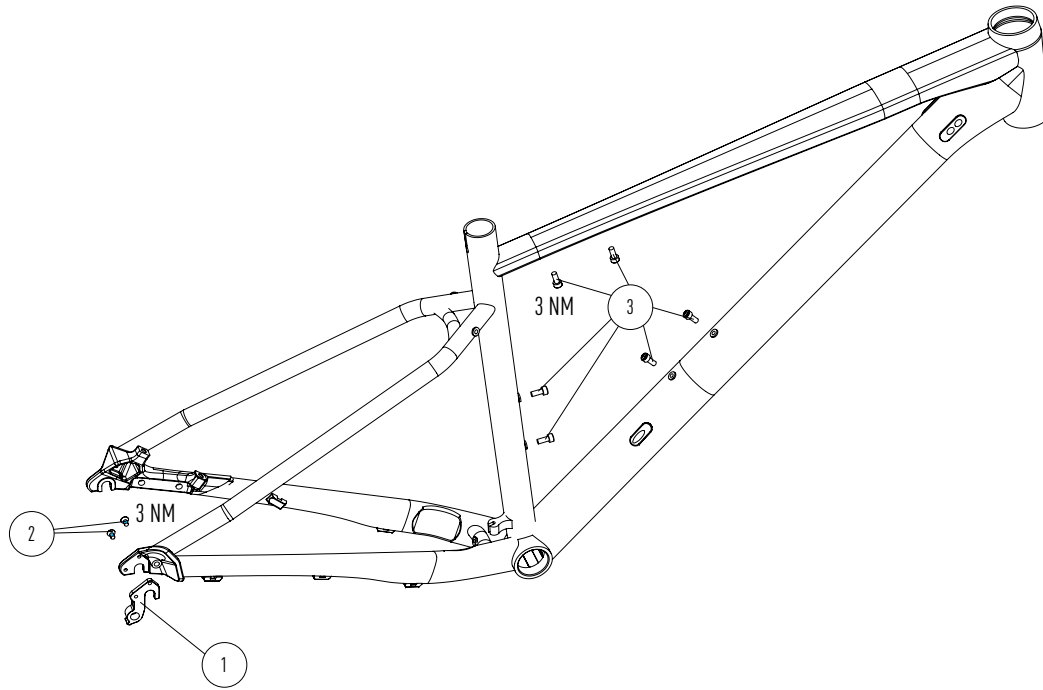


EXPLODED DRAWING



POS	PART #	PART NAME	QTY
01	KD325917042	HANGER ALLOY SRA-X-129	1
02	KD325917043	HANGER SCREW M4 X 8	2
03	KD199119009	BOTTLECAGE SCREW DIN912 M5-12 MM	6

WHISTLER

PP2205 | AL

MATERIAL	ALLOY 6061
WHEELSIZE	SIZE M-XL: 29" / 9 X 100 - 29" / 9 X 135 / MAX TIRE WIDTH 60 MM SIZE XS, S: 27.5" / 9 X 100 - 27.5" / 9 X 135 / MAX TIRE WIDTH 60 MM
TRAVEL	FRONT 100 MM
HEADSET	UPPER ZS Ø44 MM - LOWER ZS Ø44 MM
FORK	29" - LENGTH 515 MM - RAKE 51 MM 27.5" - LENGTH 500 MM - RAKE 51 MM
SEATPOST / SEATCLAMP	Ø27.2 MM - Ø31.8 MM - MINIMUM INSERT 100 MM
MAX SEATPOST INSERTION	XS: 300 MM S: 320 MM M: 220 MM L: 260 MM XL: 300 MM
REAR BRAKEMOUNT	POSTMOUNT Ø160 MM - MAX. ROTOR Ø180 MM
RD HANGER	FOCUS
FD MOUNT	SIDESWING & TOPSWING
BOTTOM BRACKET	BSA68 MM
CHAINRING	MAX CHAINRING SIZE 1BY: 36 CHAINLINE: 49 MM MAX CHAINRING SIZE 2BY: 36/26 CHAINLINE: 49 MM MAX CHAINRING SIZE 3BY: 44/32/22 CHAINLINE: 49 MM
KICK STAND MOUNT	DIRECT 40 MM
MAX SYSTEM WEIGHT	110 KG

