
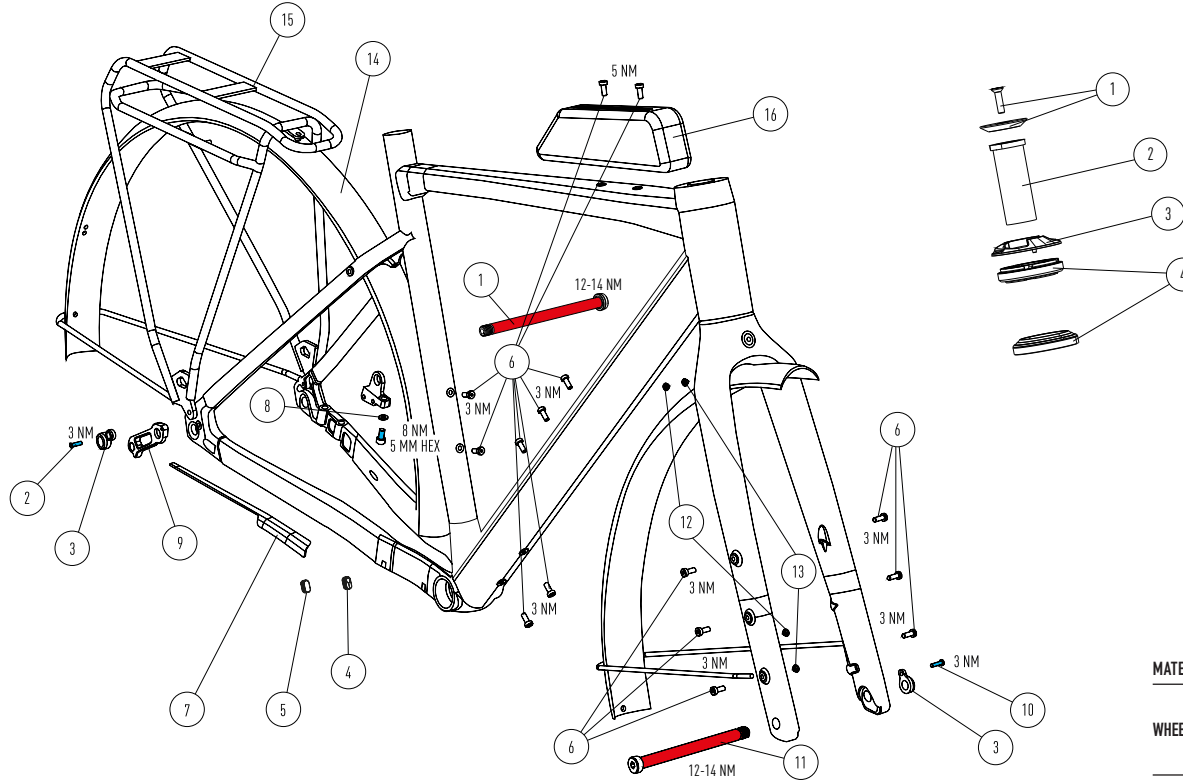


# EXPLODED DRAWING

 GREASE  
 THREAD LOCK MEDIUM



# ATLAS

PP2105 | AL

POS	PART #	PART NAME	QTY
01	KD160221016	REAR AXLE	1
02	KD325919175	DCW M4 X14 SCREW	1
03	KD325921092	THRU AXLE NUT	2
04	KD325921014	DROPPER PLUG (WHEN DROPPER MOUNTED)	1
05	KD325921013	DROPPER PLUG BLIND (WHEN NO DROPPER IS MOUNTED)	1
06	KD199119008	M5X12	15
07	KD325921228	CHAINSTAY PROTECTOR	1
08	AM325921086	KICKSTAND ADAPTER KIT (FOR EQUIPPED SPEC)	1
09	KD325919141	SHIMANO DIRECT MOUNT HANGER	1
10	KD325917005	DCW M4 X10 SCREW	1
11	KD160221009	FRONT AXLE	1
12	KD70525	LIGHT CABLE PLUG	1
13	KD11596001	LIGHT CABLE PLUG BLIND	1
14	AM140121004	F&R FENDER SET	1
15	AM130120022	CARRIER SET	1
16	AM325921244	TOP TUBE BAG SET (ONLY FOR ATLAS 6.9 AND 6.8)	1

### STEM

1	ACROS PART	ACROS TOP CAP WITH THE SCREW	1
2	KD120421027	EXPANDER 70 MM X Ø 22,5 MM	1
3	ACROS PART	ACROS TOP CAP IS52/OD62	1
4	ACROS PART	ACROS, AC4052 LOWER BEARING, AC4252 TOP BEARING CABLE ROUTING COMPRESSION RING, IPS UPPER, IPS LOWER	1

<b>MATERIAL</b>	ALLOY 7005
<b>WHEELSIZE</b>	700C / 12 X 110 - 700C / 12 X 148 / MAX TIRE WIDTH 47 MM 27.5" / 12 X 110 - 27.5" / 12 X 148 / MAX TIRE WIDTH 53 MM 700C / 12 X 110 - 700C / 12 X 148 / MAX TIRE WIDTH 40 MM WITH FENDERS
<b>HEADSET</b>	UPPER IS Ø52 MM - LOWER IS Ø52 MM
<b>FORK</b>	700C - LENGTH 425 MM - RAKE 50 MM
<b>SEATPOST / SEATCLAMP</b>	Ø27,2 MM - Ø31,8 MM - MINIMUM INSERT 100 MM
<b>MAX SEATPOST INSERTION</b>	XS: 220 MM S: 250 MM M: 285 MM L: 315 MM XL: 340 MM
<b>FRONT BRAKEMOUNT</b>	FLATMOUNT Ø160 MM - MAX. ROTOR Ø180 MM
<b>FRONT AXLE</b>	110 MM / Ø12 MM / PITCH 1,75
<b>REAR BRAKEMOUNT</b>	FLATMOUNT Ø160 MM - MAX. ROTOR Ø180 MM
<b>REAR AXLE</b>	175 MM / Ø12 MM / PITCH 1,75
<b>RD HANGER</b>	FOCUS
<b>FD MOUNT</b>	BAND TYPE
<b>BOTTOM BRACKET</b>	BSA68 MM
<b>CHAINRING</b>	MAX CHAINRING SIZE 1BY: 42 CHAINLINE: 49,7 MM (SHIMANO) MAX CHAINRING SIZE 1BY: 40 CHAINLINE: 45 MM (SRAM) MAX CHAINRING SIZE 2BY: 46/30 CHAINLINE: 47 MM (SHIMANO) MAX CHAINRING SIZE 2BY: 43/30 CHAINLINE: 47,5 MM (SRAM)
<b>KICK STAND MOUNT</b>	WITH ADAPTOR 18 MM
<b>MAX SYSTEM WEIGHT</b>	120 KG*

\*Test in the making