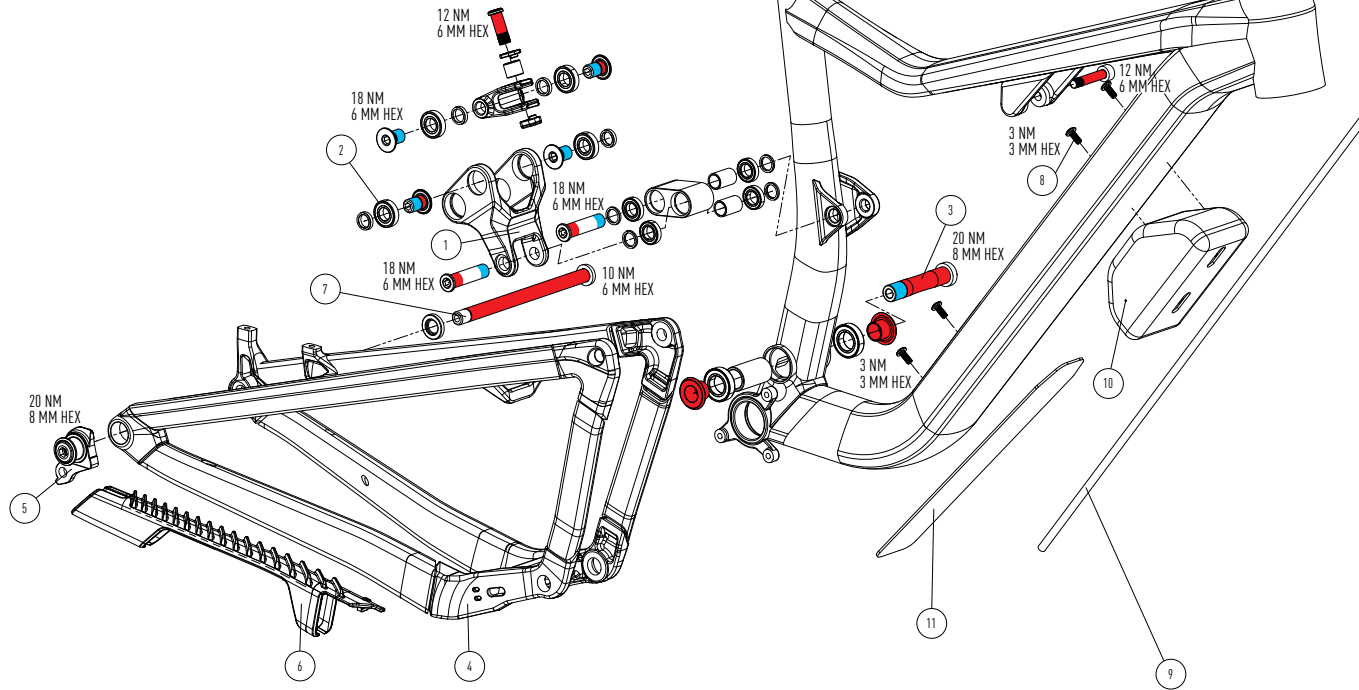
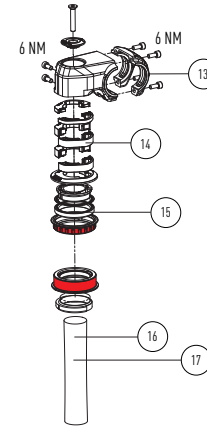


# EXPLODED DRAWING



## COCKPIT WITH BLOCK LOCK



**JAM**  
PP2103 | AL-AL

POS	PART #	PART NAME	QTY
01	KD325921901	LINKAGE SET: MAINLINK & GUIDELINK	1
02	KD325920905	BEARING SET: 2 X 61903, 4 X 61801, 4 X 61901	1
03	KD325921902	PIVOT SET: ALL SCREWS, WASHERS AND SPACERS	1
04	KD220121004	REAR TRIANGLE	1
05	KD325921081	SRAM UDH HANGER	1
06	KD325921229	CHAINSTAY PROTECTOR	1
07	KD160221010	THRU AXLE 12X148MM	1
08	KD199119009	BOTTLE CAGE SCREW	2
09	KD110916004	NOISE CANCELLING TUBE	1

10	KD325921304	TOOL BAG	1
11	KD325921309	DOWNTUBE PROTECTOR	1
12	KD410016915	FRAMEPROTECTION STICKERS	1
13	KD120421903	STEM KIT	1
14	KD120421902	SPACER KIT	1
15	KD120421901	HEADSET KIT WITH BLOCK LOCK	1
16	KD215221501	STEERER PROTECTOR HOSE FOR S-M	1
17	KD215221502	STEERER PROTECTOR HOSE FOR L-XL	1

<b>MATERIAL</b>	ALLOY 7005 - ALLOY 7005
<b>WHEELSIZE</b>	29" / 15 X 110 - 29" / 12 X 148 / MAX TIRE 64MM
<b>TRAVEL</b>	FRONT 150MM - REAR 150MM
<b>SHOCK</b>	LENGTH 210MM - STROKE 55MM - HARDWARE SHAFT 25X8MM - NO HARDWARE BODY
<b>HEADSET</b>	UPPER ZS Ø56MM - LOWER ZS Ø56MM
<b>FORK</b>	29" - LENGTH 561MM - RAKE 44MM
<b>SEATPOST / SEATCLAMP</b>	Ø31,6MM - Ø34,9MM - MINIMUM INSERT 100MM
<b>MAX SEATPOST INSERTION</b>	S: 220MM M: 250MM L: 280MM XL: 300MM
<b>REAR BRAKEMOUNT</b>	POSTMOUNT Ø180MM - MAX. ROTOR Ø203MM
<b>REAR AXLE</b>	173MM / Ø12MM / PITCH 1,0
<b>RD HANGER</b>	SRAM UDH
<b>BOTTOM BRACKET</b>	BSA73MM
<b>CHAINRING</b>	MIN CHAINRING SIZE: 30 / MAX CHAINRING SIZE: 34 / CHAINLINE: 52MM
<b>KICK STAND MOUNT</b>	WITH ADAPTOR 18MM
<b>REAR SHOCK SAG</b>	SAG IN %: 30 / SAG IN MM: 16,5
<b>MAX SYSTEM WEIGHT</b>	110 KG