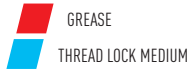
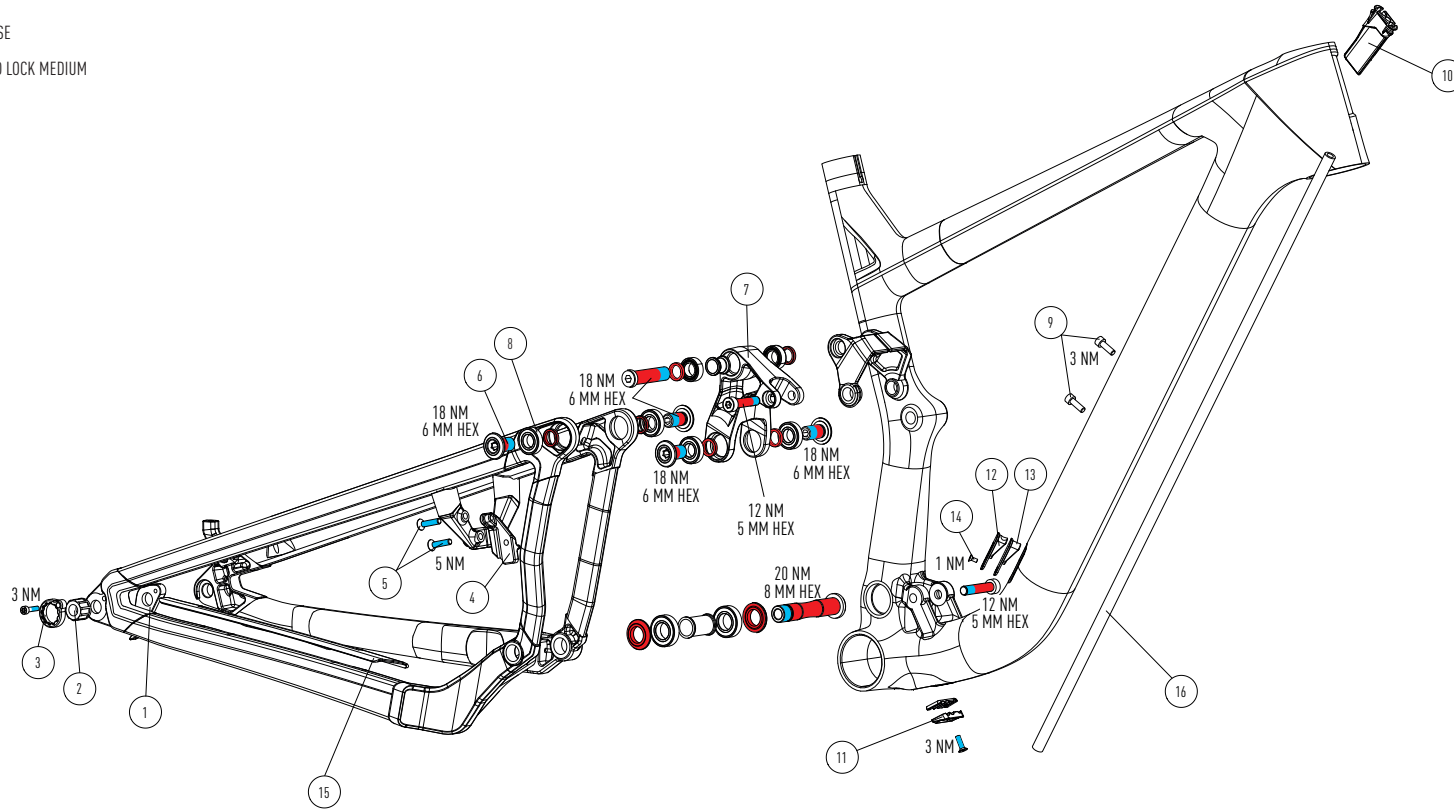


EXPLODED DRAWING



JAM

PP1805 | C-AL

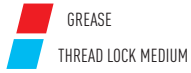


POS	PART #	PART NAME	QTY
01	KD325917010	RD HANGER D9C-HG-1	1
02	KD325912012	THRU AXLE NUT	1
03	KD325916001	NUTKEEPER + SCREW	1
04	KD325918021	FD MOUNT	1
05	NORM PART	M5 X 24 COUNTERSUNK SCREW	2
06	KD330019042	PIVOT SET: ALL SCREWS, WASHERS AND SPACERS	1
07	KD330019043	LINKAGE SET: MAINLINK & GUIDELINK	1
08	KD325918111	BEARING SET: 2 X 61902 2RSR MAX, 2 X 3801 2RSR MAX, 4 X 61901 2RSR MAX	1

09	KD199119009	BOTTLE CAGE SCREW	2
10	KD325917031	HEADTUBE PLUG	1
11	KD325917620	CABLE EXIT DT	1
12	KD325914025	CABLE EXIT OPEN	1
13	KD325914024	CABLE EXIT CLOSED	1
14	NORM PART	M3 X 10MM COUNTERSUNK	1
15	KD325917013	CHAINSTAY PROTECTOR	1
16	KD110916004	NOISE CANCELLING TUBE	1

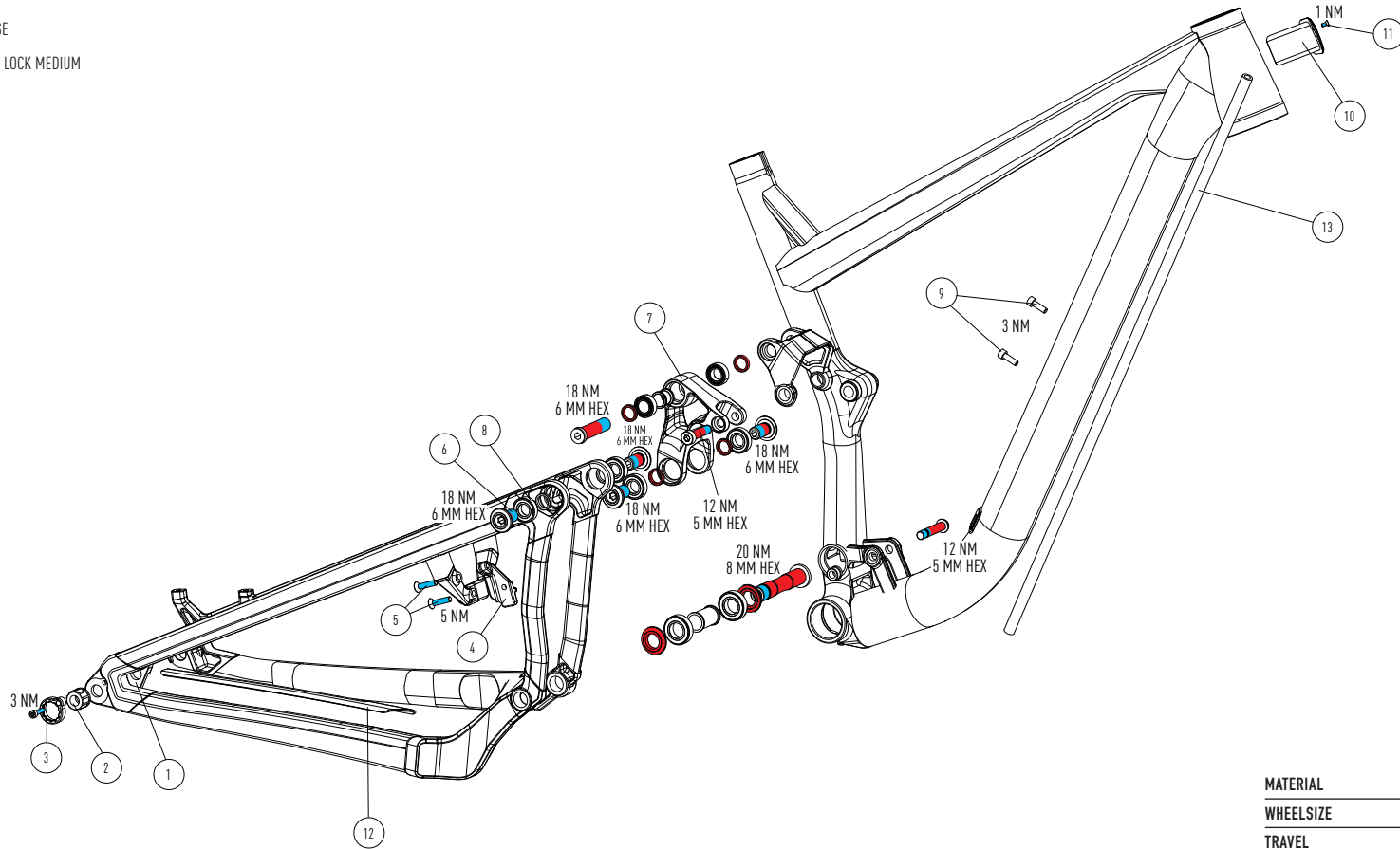
MATERIAL	CARBON - ALUMINUM 7005
WHEELSIZE	29" MAX. 2.3" / 58MM TIRE
TRAVEL	FRONT 140MM - REAR 140MM
SHOCK	LENGTH 210MM - STROKE 55MM - HARDWARE 25 X 8MM
HEADSET	UPPER IS Ø42MM - LOWER IS Ø52MM
FORK	29" - LENGTH 551MM - RAKE 51MM
SEATPOST / SEATCLAMP	Ø31,6MM - Ø34,9MM - MINIMUM INSERT 100MM
FRONT AXLE	110MM / Ø12MM
REAR BRAKEMOUNT	POSTMOUNT Ø180MM - MAX. ROTOR Ø200MM
REAR AXLE	148MM / Ø12MM
RD HANGER	FOCUS
BOTTOM BRACKET	PF30 73MM
MAX SYSTEM WEIGHT	110 KG

EXPLODED DRAWING



JAM

PP1806 | AL-AL | 29



POS	PART #	PART NAME	QTY
01	KD325917010	RD HANGER D9C-HG-1	1
02	KD325912012	THRU AXLE NUT	1
03	KD325916001	NUTKEEPER + SCREW	1
04	KD325918021	FD MOUNT	1
05	NORM PART	M5 X 24 COUNTERSUNK SCREW	2
06	KD330019042	PIVOT SET: ALL SCREWS, WASHERS AND SPACERS	1
07	KD330019043	LINKAGE SET: MAINLINK & GUIDELINK	1

08	KD325918111	BEARING SET: 2 X 61902 2RSR MAX, 2 X 3801 2RSR MAX, 4 X 61901 2RSR MAX	1
09	KD199119009	BOTTLE CAGE SCREW	2
10	KD325914014	HEADTUBE PLUG	1
11	NORM PART	M3 X 6 COUNTERSUNK SCREW	1
12	KD325917013	CHAINSTAY PROTECTOR	1
13	KD110916004	NOISE CANCELLING TUBE	1

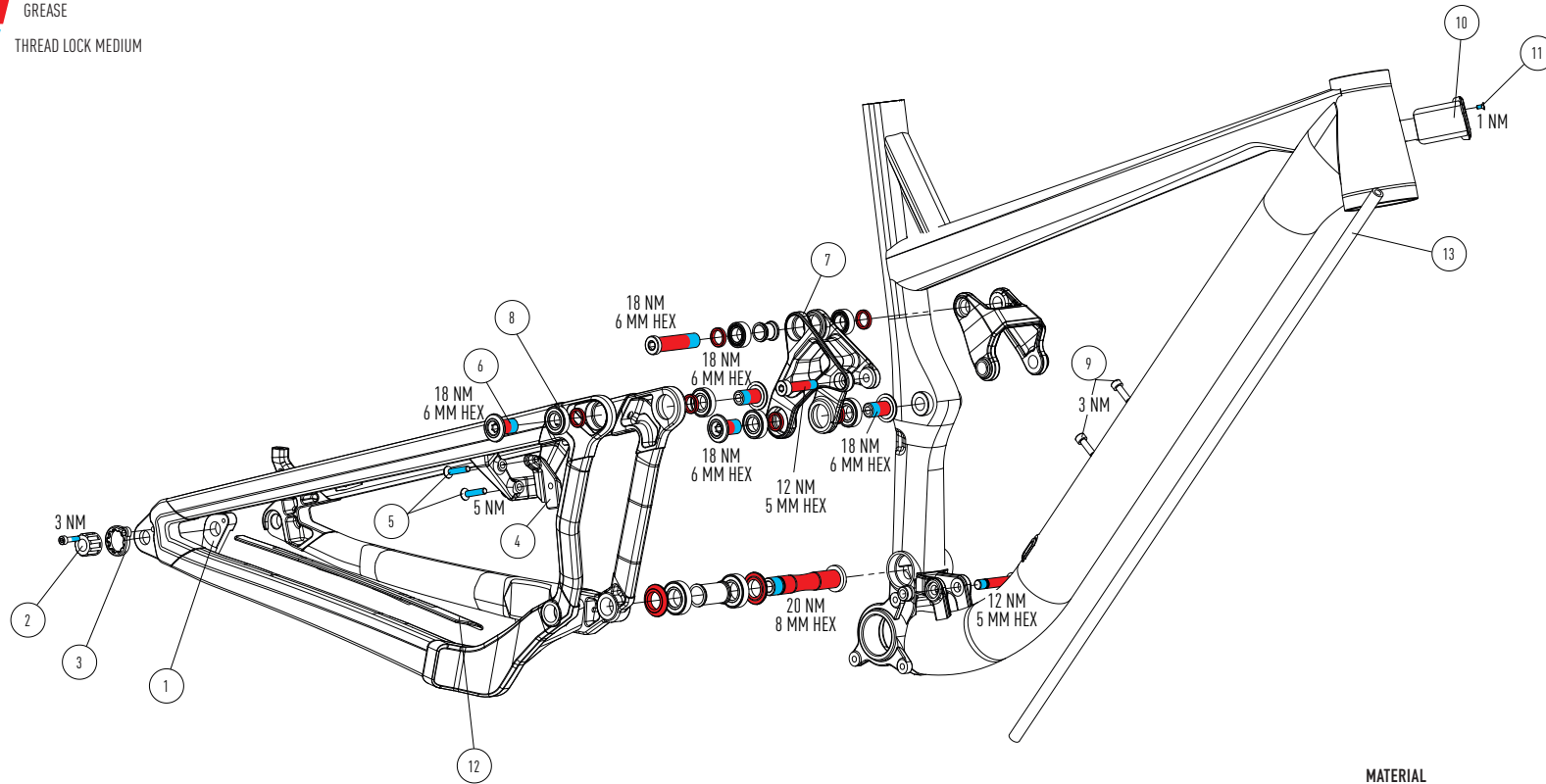
MATERIAL	ALUMINUM 7005 – ALUMINUM 7005
WHEELSIZE	29" MAX. 2.3" / 58MM TIRE
TRAVEL	FRONT 140MM – REAR 140MM
SHOCK	LENGTH 210MM – STROKE 55MM – HARDWARE 25 X 8MM
HEADSET	UPPER ZS Ø44MM – LOWER ZS Ø56MM
FORK	29" – LENGTH 551MM – RAKE 51MM
SEATPOST / SEATCLAMP	Ø31,6MM – Ø34,9MM – MINIMUM INSERT 100MM
FRONT AXLE	110MM / Ø12MM
REAR BRAKEMOUNT	POSTMOUNT Ø180MM – MAX. ROTOR Ø200MM
REAR AXLE	148MM / Ø12MM
RD HANGER	FOCUS
BOTTOM BRACKET	BSA73MM
MAX SYSTEM WEIGHT	110 KG

EXPLODED DRAWING



JAM

PP1703 | AL-AL | 27



POS	PART #	PART NAME	QTY
01	KD325917010	RD HANGER D9C-HG-1	1
02	KD325912012	THRU AXLE NUT	1
03	KD325916001	NUTKEEPER + SCREW	1
04	KD325918021	FD MOUNT	1
05	NORM PART	M5 X 24 COUNTERSUNK SCREW	2
06	KD330019014	PIVOT SET: ALL SCREWS, WASHERS AND SPACERS	1
07	KD330020979	LINKAGE SET: MAINLINK & GUIDELINK	1

08	KD325918111	BEARING KIT: 2 X 61902 2RSR MAX, 2 X 3801 2RSR MAX, 4 X 61901 2RSR MAX	1
09	KD199119009	BOTTLE CAGE SCREW	1
10	KD325914014	HEATUBE PLUG	1
11	NORM PART	M3 X 6 COUNTERSUNK SCREW	1
12	KD325917013	CHAINSTAY PROTECTOR	1
13	KD110916004	NOISE CANCELLING TUBE	1

MATERIAL	ALUMINUM 7005 – ALUMINUM 7005
WHEELSIZE	27.5" MAX. 2.4"/60MM TIRE – WHEEL Ø MAX. MAX.TIRE WIDTH INCHES/MAX. TIRE WIDTH MM TIRE
TRAVEL	FRONT 150MM – REAR 150MM
SHOCK	LENGTH 200MM – STROKE 57MM – HARDWARE 22.2 X 8MM
HEADSET	UPPER ZS Ø44MM – LOWER ZS Ø56MM
FORK	27.5" – LENGTH 540MM – RAKE 42MM
SEATPOST / SEATCLAMP	Ø31,6MM – Ø34,9MM – MINIMUM INSERT 100MM
FRONT AXLE	110MM / Ø15MM
REAR BRAKEMOUNT	POSTMOUNT Ø180MM – MAX. ROTOR Ø200MM
REAR AXLE	148MM / Ø12MM
RD HANGER	FOCUS
BOTTOM BRACKET	BSA73MM
MAX SYSTEM WEIGHT	110 KG