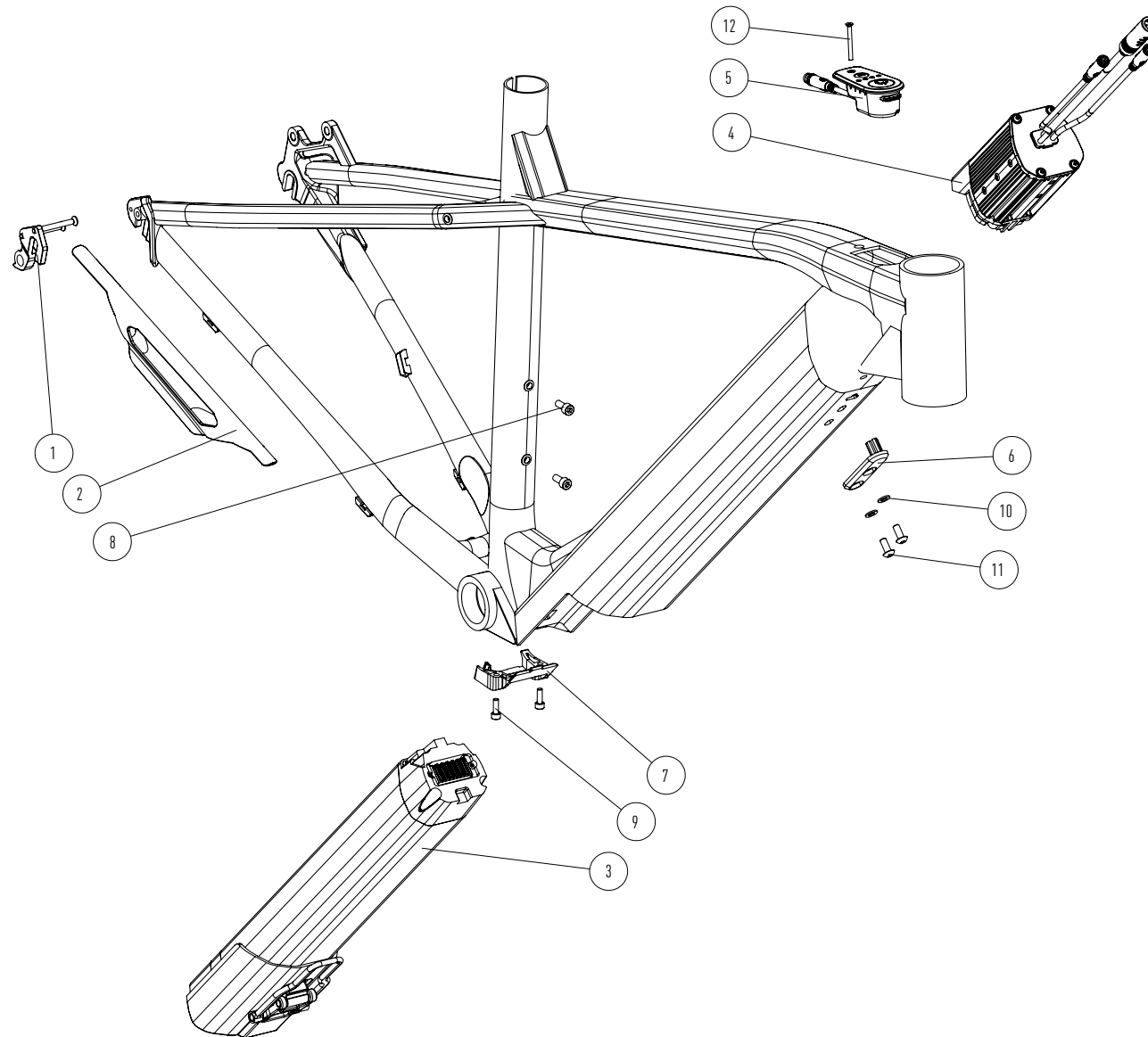


# WHISTLER<sup>2</sup>

PP2007 | AL

EXPLODED DRAWING



<b>MATERIAL</b>	ALUMINUM
<b>WHEELSIZE</b>	27.5" MAX. 2.2" / 29" MAX 2.2"
<b>TRAVEL</b>	FRONT 100MM
<b>FORK</b>	27.5" LENGTH 516MM / RAKE 46MM
<b>HEADSET</b>	UPPER ZS 44, LOWER ZS 44
<b>BOTTOM BRACKET</b>	BSA 68
<b>SEATPOST / SEATCLAMP</b>	Ø 31,6MM / Ø 34,9MM, MINIMUM INSERT: 100MM
<b>BRAKEMOUNT</b>	IS 160MM, MAX ROTOR: 180MM
<b>REAR AXLE</b>	WIDTH 138MM
<b>ENGINE</b>	BAFANG
<b>BATTERY</b>	FOCUS DOWNTUBE BATTERY 20 CELLS
<b>MAX SYSTEM WEIGHT</b>	120KG

POS	PART #	PART NAME	QTY
01	KD 325917042	RD HANGER SRA-X129 HANGER SCREW M4 X 8MM	1
02	KD325918153	CHAINSTAYPROTECTOR	1
03	KD170418006	BATTERY (INCL. LOCK, HOOK-LOCK-LEVER)	1
04	KD170418010	MOTOR CONTROLLER (EU, 25 KM / H)	1
05	KD170418008	DISPLAY	1
06	KD170418011	CONTROLLER-SPACER	1
07	KD150518013	BB CAP	1
08	NORM PART	DIN912-M5-12MM	2
09	NORM PART	M4 X 8MM H X 4 WUE	2
10	NORM PART	NL5 5,4 X 9 X 1,8 M5 NR1213	2
11	NORM PART	M5 X 12 H X 4	2
12	NORM PART	M3 X 10 TX 10	1