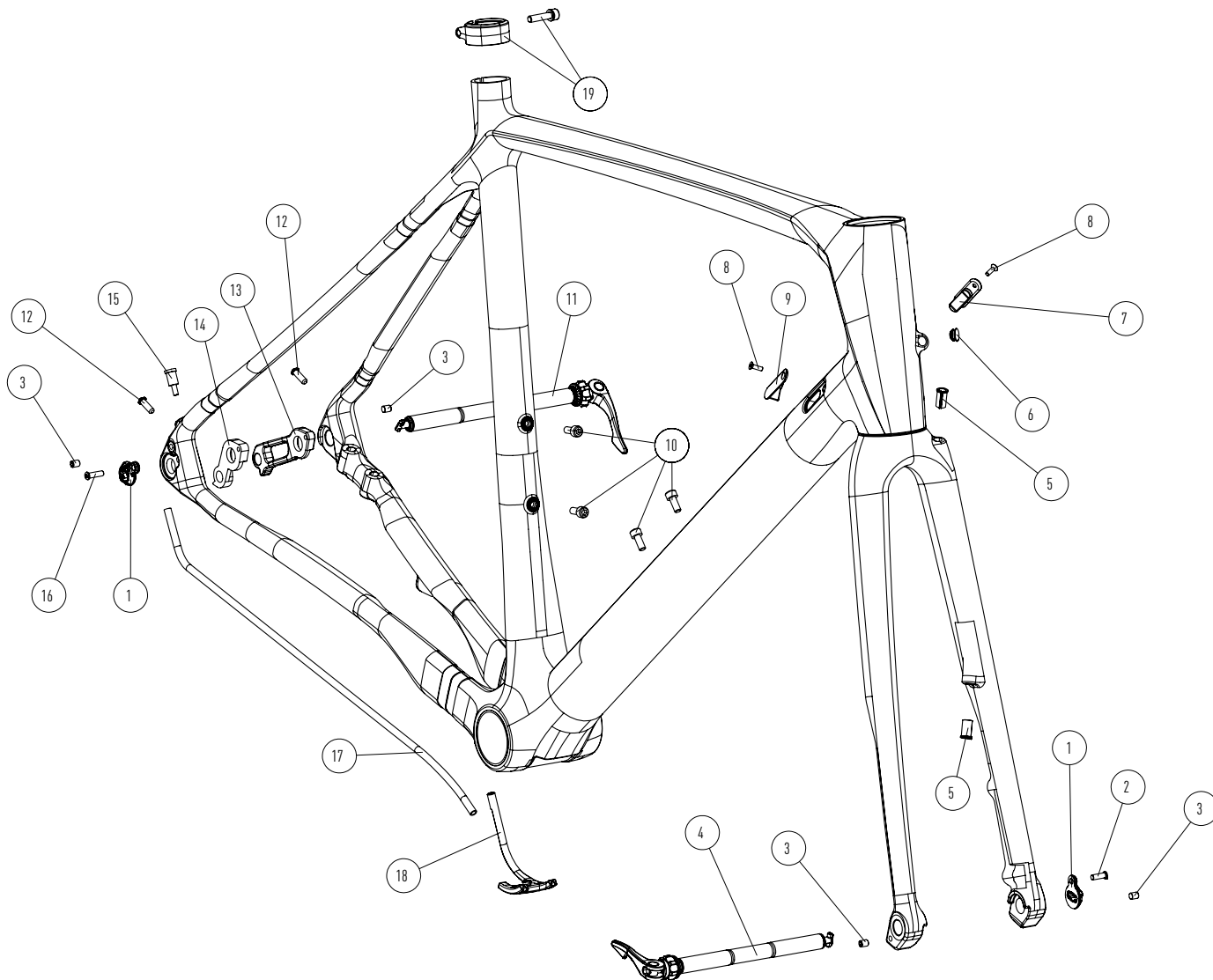


# PARALANE

PP1821 | C | 1BY

EXPLODED DRAWING



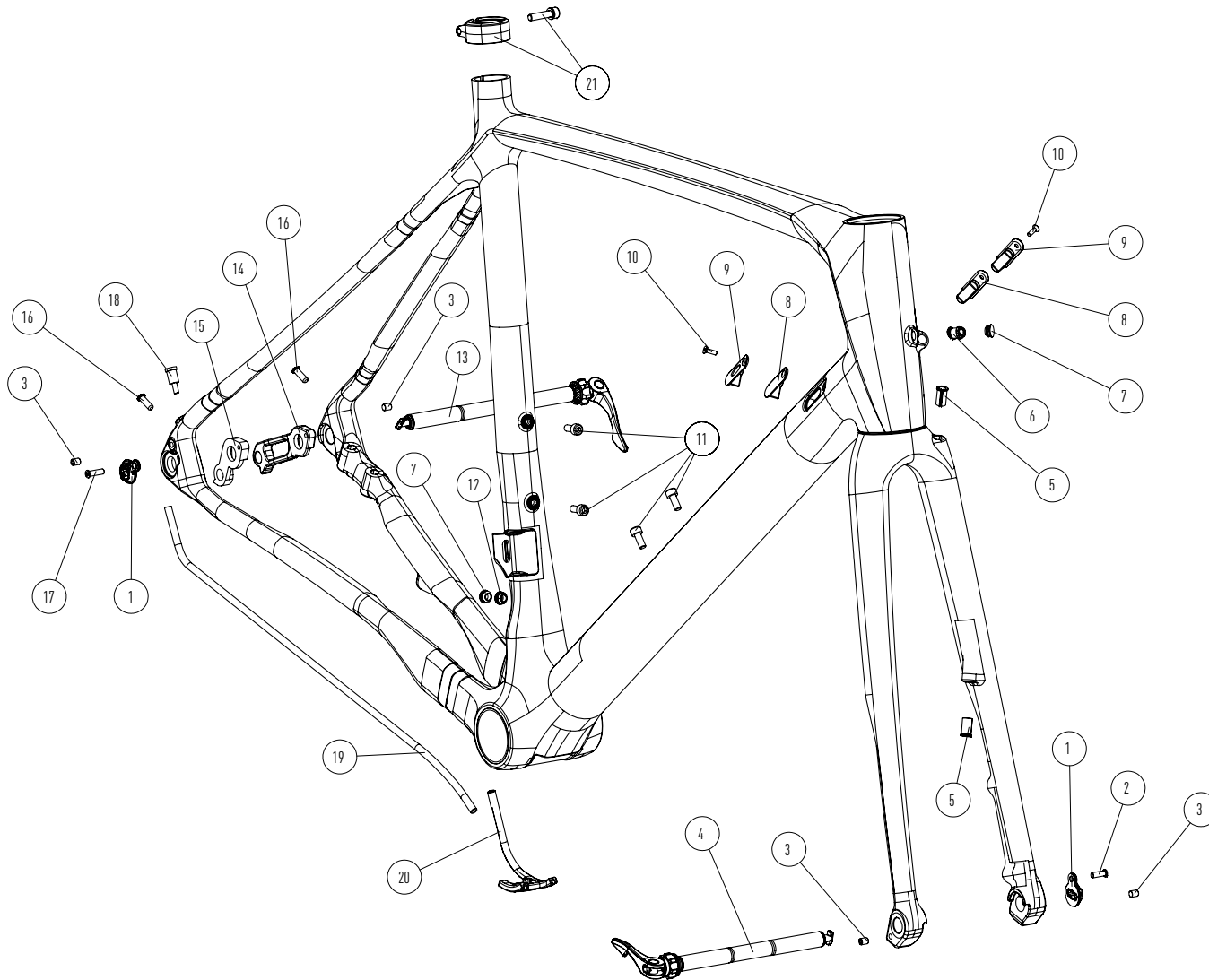
<b>MATERIAL</b>	CARBON
<b>WHEELSIZE</b>	700C / MAX. 35MM TIRES
<b>FORK</b>	LENGTH 380MM / RAKE 42MM
<b>HEADSET</b>	UPPER IS 42, LOWER IS 47
<b>SEATPOST / SEATCLAMP</b>	Ø 25,4MM / Ø 30,4MM, MINIMUM INSERT: 100MM
<b>BRAKEMOUNT</b>	FLATMOUNT 160MM, MAX ROTOR: 160MM
<b>REAR AXLE</b>	WIDTH 142MM / Ø 12MM
<b>FRONT AXLE</b>	WIDTH 100MM / Ø 12MM, MAX ROTOR: 160MM
<b>MAX SYSTEM WEIGHT</b>	110KG

POS	PART #	PART NAME	QTY
01	KD325917002	R.A.T. NUT	2
02	KD325917080	R.A.T. NUT SCREW - CUSTOM - M4 X12	1
03	NORM PART	FENDER SCREW - DIN 913 - M5 X 6MM	4
04	KD161218030	R.A.T. FRONT 100 X12	1
05	KD325916087	YOZU PLUG 6MM	2
06	KD325916165	BLIND ROUND PLUG	1
07	KD325914023	DT CABLE PORT - STOPPER	1
08	NORM PART (KD325916062)	DT CABLE PORT SCREW - DIN 7991 - M3 X10MM	2
09	KD325914024	DT CABLE PORT - BLIND	1
10	KD199119009	DCW BOTTLE CAGE SCREW M5 X18	4
11	KD160218029	R.A.T. REAR 142 X12	1
12	KD325917110	FENDER STAYS PLUG	2
13	KD325919141	DCW SHIMANO DIRECT MOUNT HANGER RR V-1	1
14	KD325914001	RD HANGER	1
15	KD325915031	RD EXIT CABLE STOP	1
16	KD325917006	R.A.T. NUT SCREW - CUSTOM - M4 X14	1
17	KD325915032	CS CABLE LINER	1
18	KD150914001	BB CABLE GUIDE	1
19	KD125419002	SEAT CLAMP 30.4MM WITH SCREW - DIN912 - M5 X 22MM - WITH WASHER	1

# PARALANE

PP1821 | C | 2BY

EXPLODED DRAWING



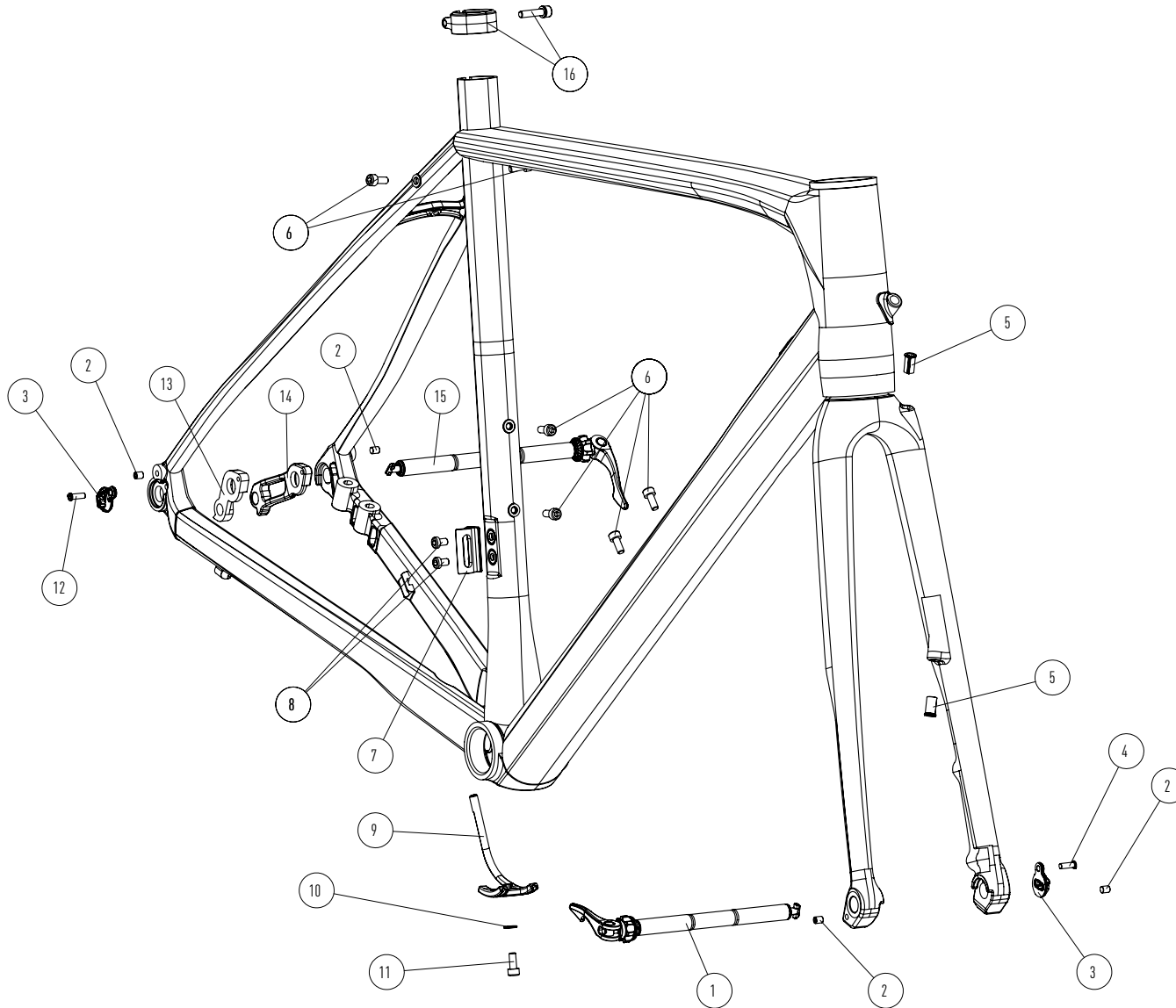
<b>MATERIAL</b>	CARBON
<b>WHEELSIZE</b>	700C / MAX 35MM TIRES
<b>FORK</b>	LENGTH 380MM / RAKE 42MM
<b>HEADSET</b>	UPPER IS 42 / LOWER IS 47
<b>SEATPOST / SEATCLAMP</b>	Ø 25,4MM / Ø 30,4MM, MINIMUM INSERT 100MM
<b>BRAKEMOUNT</b>	FLATMOUNT 160MM, MAX ROTOR 160MM
<b>REAR AXLE</b>	WIDTH 142 / Ø12MM
<b>FRONT AXLE</b>	WIDTH 100 / Ø12MM, MAX ROTOR 160MM
<b>MAX SYSTEM WEIGHT</b>	110KG

POS	PART #	PART NAME	QTY
01	KD325917002	R.A.T. NUT	2
02	KD325917080	R.A.T. NUT SCREW - CUSTOM - M4 X12	1
03	NORM PART	FENDER SCREW - DIN 913 - M5 X6MM	4
04	KD161218030	R.A.T. FRONT 100 X12	1
05	KD325916087	YOZU PLUG 6MM	2
06	KD325914011	HT PLUG 65° - DI2	1
07	KD325916165	BLIND ROUND PLUG	2
08	KD325914024	DT CABLE PORT - BLIND	2
09	KD325914023	DT CABLE PORT - STOPPER	2
10	NORM PART (KD325916062)	DT CABLE PORT SCREW - DIN 7991 - M3 X10MM	2
11	KD199119009	DCW BOTTLE CAGE SCREW M5 X18	1
12	KD325918278	DI2 ROUND PLUG	2
13	KD160218029	R.A.T. REAR 142 X12	1
14	KD325919141	DCW SHIMANO DIRECT MOUNT HANGER RR V-1	1
15	KD325915006	RD HANGER	1
16	KD325917110	FENDER STAYS PLUG	2
17	KD325917006	R.A.T. NUT SCREW - CUSTOM - M4 X14	1
18	KD325915031	RD EXIT CABLE STOP	1
19	KD325915032	CS CABLE LINER	1
20	KD150914001	BB CABLE GUIDE	1
21	KD125419002	SEAT CLAMP 30.4MM WITH SCREW - DIN912 - M5 X22MM	1

# PARALANE

PP1718 | AL

EXPLODED DRAWING



<b>MATERIAL</b>	ALUMINUM
<b>WHEELSIZE</b>	700C / MAX. 35MM TIRES
<b>FORK</b>	LENGTH 380MM / RAKE 42MM
<b>HEADSET</b>	UPPER IS 42, LOWER IS 47
<b>SEATPOST / SEATCLAMP</b>	Ø 25,4MM / Ø 30,4MM, MINIMUM INSERT: 100MM
<b>BRAKEMOUNT</b>	FLATMOUNT 160MM, MAX ROTOR: 160MM
<b>REAR AXLE</b>	WIDTH 142MM / Ø 12MM
<b>FRONT AXLE</b>	WIDTH 100MM / Ø 12MM, MAX ROTOR: 160MM
<b>MAX SYSTEM WEIGHT</b>	110KG

POS	PART #	PART NAME	QTY
01	KD161218030	R.A.T. FRONT 100 X 12	1
02	NORM PART	FENDER SCREW - DIN 913 - M5 X 6MM	4
03	KD325917037	R.A.T. NUT	2
04	KD325917080	R.A.T. NUT SCREW - CUSTOM - M4 X 12	1
05	KD325916087	YOZU PLUG 6MM	2
06	KD199119009	DCW BOTTLE CAGE SCREW M5 X 18	6
07	KD325917103	FD HANGER	1
08	NORM PART	FD HANGER SCREW DIN 7984 TX - M5 X 10	2
09	KD150913019	BB CABLE GUIDE	1
10	NORM PART	FLAT WASHER DIN 125 M5	1
11	NORM PART	CABLE GUIDE SCREW - DIN 912 - M5 X 12MM	1
12	KD325917006	R.A.T. NUT SCREW - CUSTOM - M4 X 14	1
13	KD325915006	RD HANGER	1
14	KD325919141	DCW SHIMANO DIRECT MOUNT HANGER RR V-1	1
15	KD160218029	R.A.T. REAR 142 X 12	1
16	KD125418005	SEAT CLAMP 30.4MM WITH SCREW - DIN912 - M5 X 22MM	1