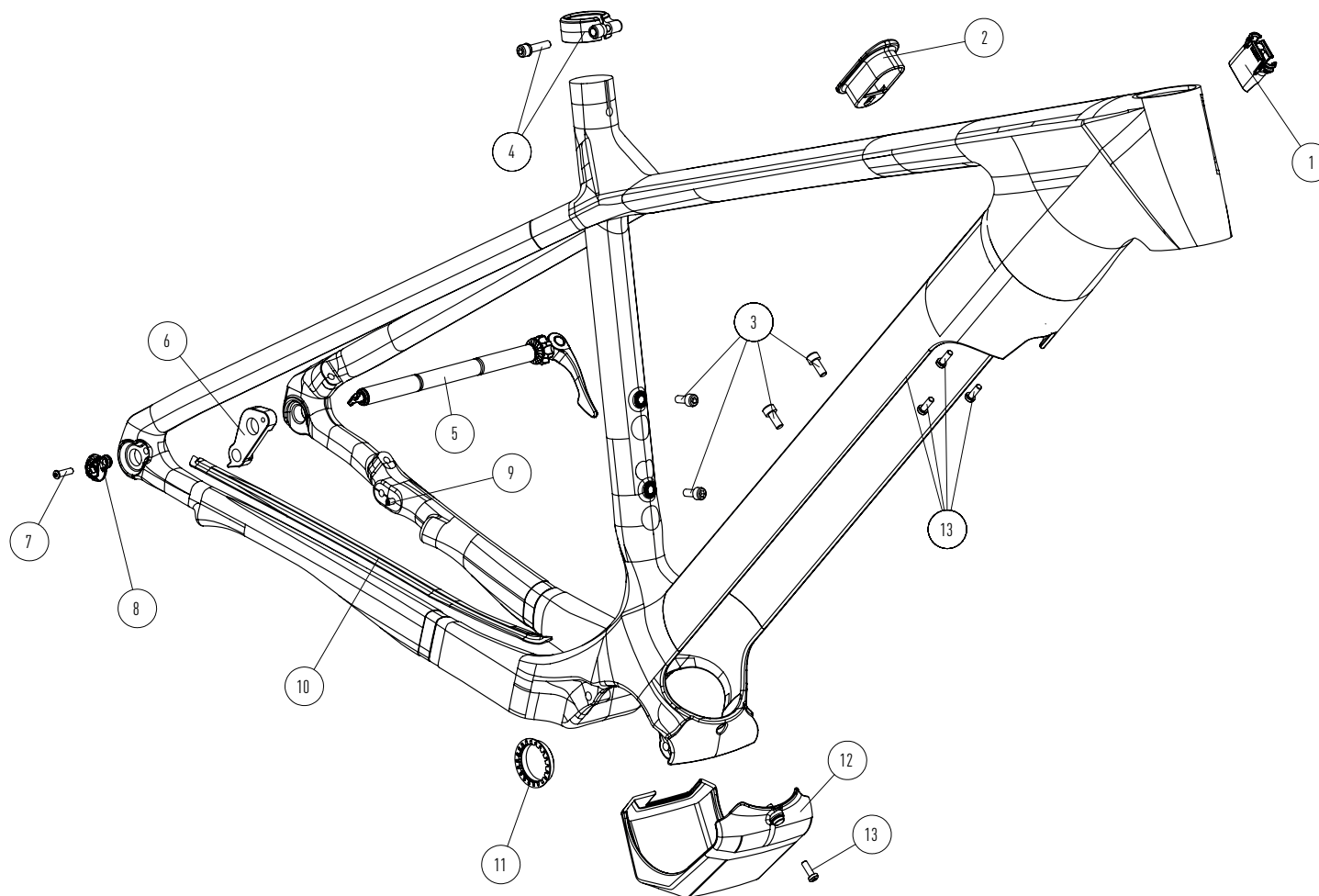


RAVEN²

PP1824 | C

EXPLODED DRAWING



MATERIAL	CARBON
WHEELSIZE	29" MAX. 2.5" / 63MM
TRAVEL	FRONT 100MM
FORK	29" LENGTH 500MM / RAKE 44MM
HEADSET	UPPER IS 42, LOWER IS 52
SEATPOST / SEATCLAMP	Ø 27.2MM, MINIMUM INSERT: 100MM
BRAKEMOUNT	POSTMOUNT 160MM, MAX ROTOR: 180MM
REAR AXLE	WIDTH 148MM / Ø 12MM
ENGINE	FAZUA EVATION
BATTERY	FAZUA EVATION
MAX SYSTEM WEIGHT	120KG

POS	PART #	PART NAME	QTY
01	KD325918303	HT 4 WAY CABLE PLUG	1
02	KD170918019	EVATION LOCK BUTTON FRAME	1
03	KD199119008	DCW BOTTLE CAGE SCREW M5 X 12	4
04	KD125418007	SEAT CLAMP 30.4MM WITH SCREW - DIN912 - M5 X 22MM - WITH WASHER	1
05	KD160218030	THRU AXLE REAR 148 X 12MM R.A.T. EVO BOOST	1
06	KD325914012	RD HANGER	1
07	KD325917006	R.A.T. NUT SCREW - CUSTOM - M4 X 14	1
08	KD325917002	R.A.T. NUT	1
09	NORM PART	SPEED SENSOR STOPPING SCREW - DIN 913 - M4 X 12MM	1
10	KD325918271	CHAINSTAY PROTECTOR	1
11	KD170919003	LOCK RING FOR EVATION	1
12	KD325919223	EVATION COVER FOR FCBF-14	1
13	NORM PART	DIN7985 TX 20 M4 X P0.7 X 12	5