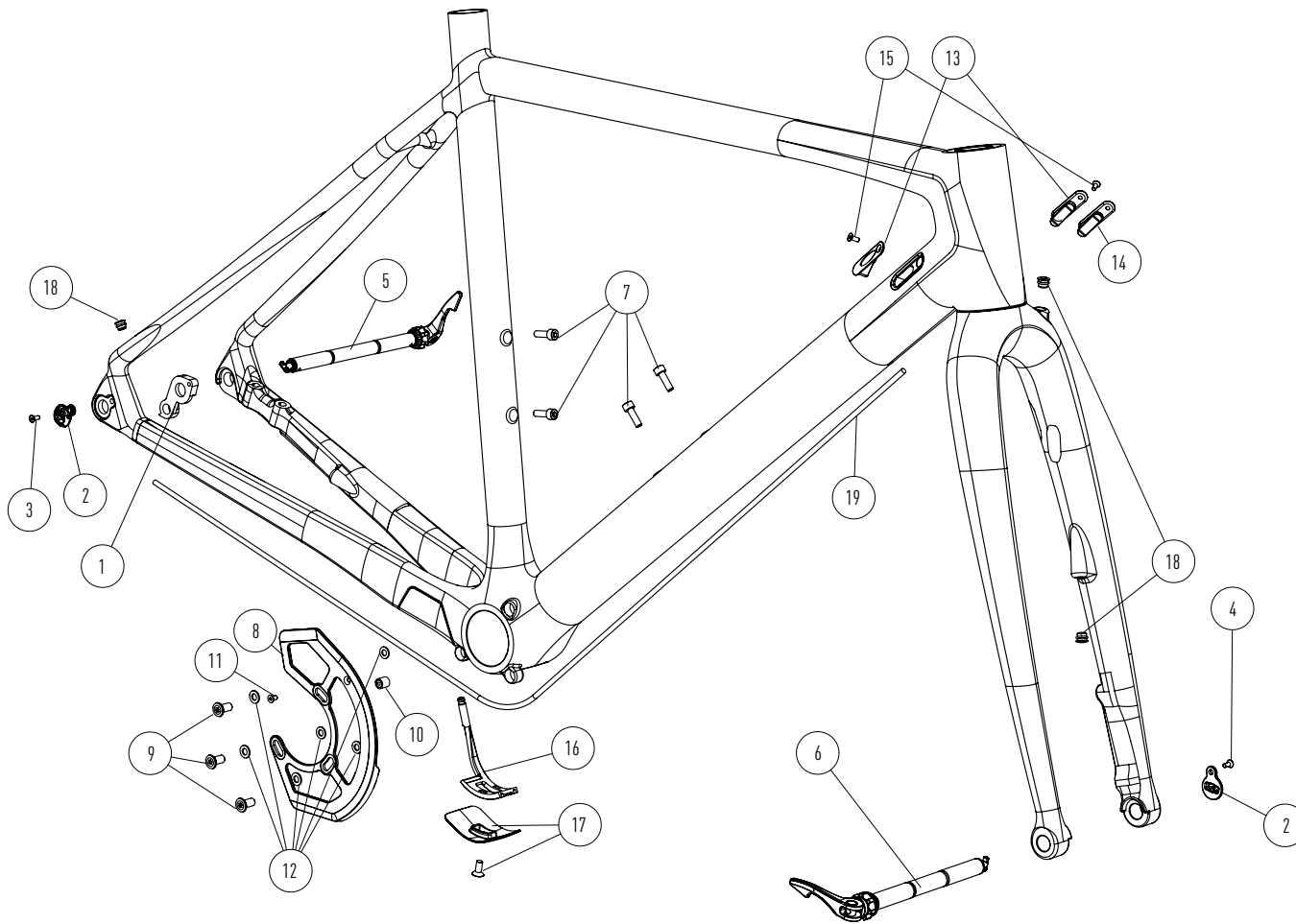


MARES

PP1804 | C

EXPLODED DRAWING



MATERIAL	CARBON
WHEELSIZE	700C / MAX. 35MM TIRES
FORK	LENGTH 399MM / RAKE 44MM, MAX ROTOR: 160MM, WIDTH 100MM / Ø 12MM
HEADSET	UPPER IS 42, LOWER IS 47
BOTTOM BRACKET	PF30
SEATPOST / SEATCLAMP	27,2MM / 31,8MM
BRAKEMOUNT	FLATMOUNT DIRECT 16MM, MAX ROTOR: 160MM
REAR AXLE	WIDTH 142MM / Ø 12MM
MAX SYSTEM WEIGHT	110KG

POS	PART #	PART NAME	QTY
01	KD325915006	RD HANGER	1
02	KD325917002	R.A.T. EVO INSERT	2
03	KD325917006	R.A.T. DCW M4 X14 SCREW	1
04	KD325917005	R.A.T. DCW M4 X10 SCREW	1
05	KD160218029	R.A.T. REAR 142 X12	1
06	KD161218030	R.A.T. FRONT 100 X12	1
07	KD199119009	BOTTLE CAGE SCREW M5 X P0.8 X 18	4
08	KD325915078	CHAIN GUARD	1
09	KD325915080	CHAIN GUARD SCREW	3
10	KD325915079	RUBBER BUMPER	1
11	NORM PART	ISO 10642 M3 X 5MM	1
12	KD70861	WASHER M6	6
13	KD325914023	PLUG CX MARES STOPPER SHIFTER	1
14*	KD325914024	BLIND PLUG	1
15	NORM PART	ISO 10642 M3 X 10MM	2
16	KD150914010	CABLE GUIDE	1
17	KD150914011	CABLE GUIDE COVER MARES	1
18	KD325916087	PLUG	3
19	KD325916105	LINER	1

*1X ONLY