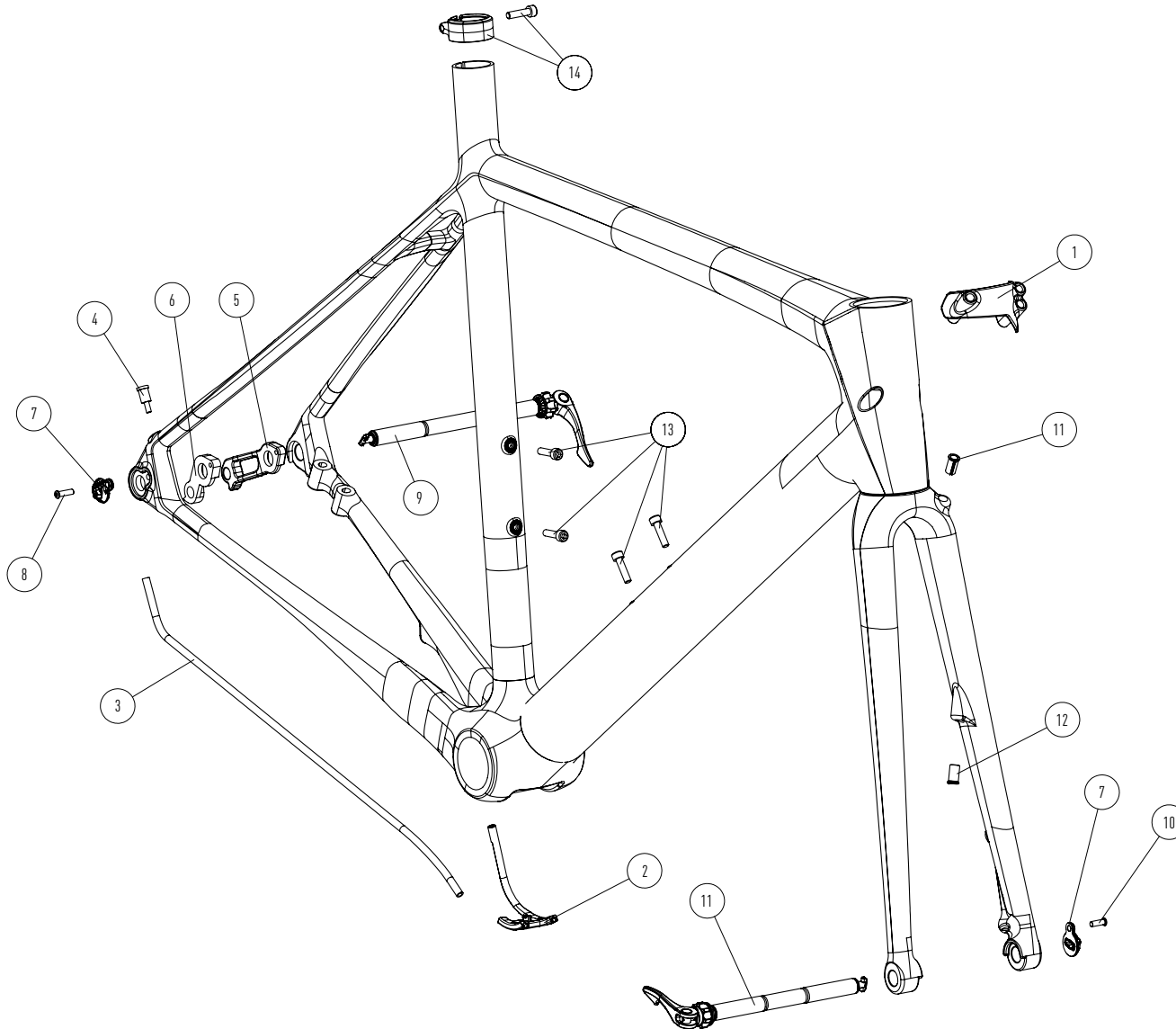


# IZALCO RACE

PP1819 | C

EXPLODED DRAWING



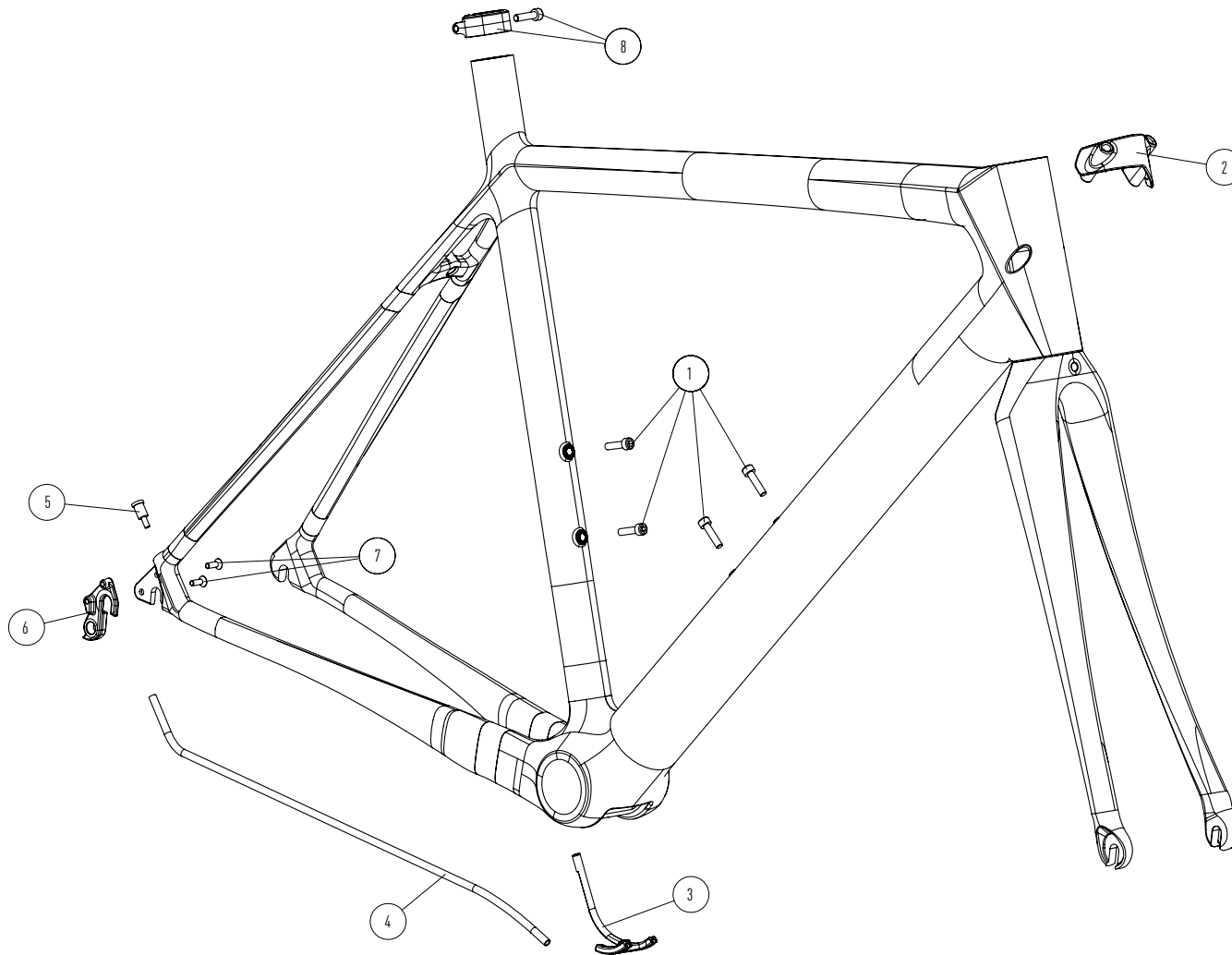
<b>MATERIAL</b>	CARBON
<b>WHEELSIZE</b>	700C / MAX 25MM TIRES
<b>FORK</b>	LENGTH: 370MM / RAKE 43MM
<b>HEADSET</b>	UPPER IS 42, LOWER IS 47
<b>SEATPOST / SEATCLAMP</b>	Ø 27,2MM / Ø 30,4MM , MINIMUM INSERT: 100MM
<b>BRAKEMOUNT</b>	FLATMOUNT 140MM, MAX ROTOR: 160MM
<b>REAR AXLE</b>	WIDTH 142MM / Ø 12MM
<b>FRONT AXLE</b>	WIDTH 100MM / Ø 12MM, MAX ROTOR: 160MM
<b>MAX SYSTEM WEIGHT</b>	110KG

POS	PART #	PART NAME	QTY
01	KD325915003	HT PLATE - DISC MECHANICAL	1
02	KD150914001	BB CABLE GUIDE	1
03	KD325915032	CS CABLE LINER	1
04	KD325915031	RD EXIT CABLE STOP	1
05	KD325919141	DCW SHIMANO DIRECT MOUNT HANGER RR V-1	1
06	KD325914001	RD HANGER	1
07	KD325917002	R.A.T. NUT	2
08	KD325917006	R.A.T. NUT SCREW - CUSTOM - M4 X 14	1
09	KD160219010	R.A.T. REAR 142 X 12	1
10	KD325917080	R.A.T. NUT SCREW - CUSTOM - M4 X 12	1
11	KD161218030	R.A.T. FRONT 100 X 12	1
12	KD325916087	YOZU PLUG 6MM	2
13	KD199119009	DCW BOTTLE CAGE SCREW M5 X 18	4
14	KD125418003	SEAT CLAMP 31.8MM WITH SCREW	1

# IZALCO RACE

PP1820 | C

EXPLODED DRAWING



<b>MATERIAL</b>	CARBON
<b>WHEELSIZE</b>	700C / MAX 25MM TIRES
<b>FORK</b>	LENGTH: 370MM / RAKE 43MM
<b>HEADSET</b>	UPPER IS 42, LOWER IS 47
<b>SEATPOST / SEATCLAMP</b>	Ø 27,2MM / Ø 31,8MM, MINIMUM INSERT: 100MM
<b>REAR AXLE</b>	WIDTH 135MM / Ø 9MM QR
<b>FRONT AXLE</b>	WIDTH 100MM / Ø 9MM QR
<b>MAX SYSTEM WEIGHT</b>	110KG

POS	PART #	PART NAME	QTY
01	KD199119009	DCW BOTTLE CAGE SCREW M5 X 18	4
02	KD325915001	HT PLATE - CALIPER MECHANICAL	1
03	KD150914001	BB CABLE GUIDE	1
04	KD325915032	CS CABLE LINER	1
05	KD325915031	RD EXIT CABLE STOP	1
06	KD325914001	RD HANGER	1
07	KD199116012	SCREW DIN 7991 - M4 X P0.7 X 12	2
08	KD125418003	SEAT CLAMP 31.8MM WITH SCREW	1