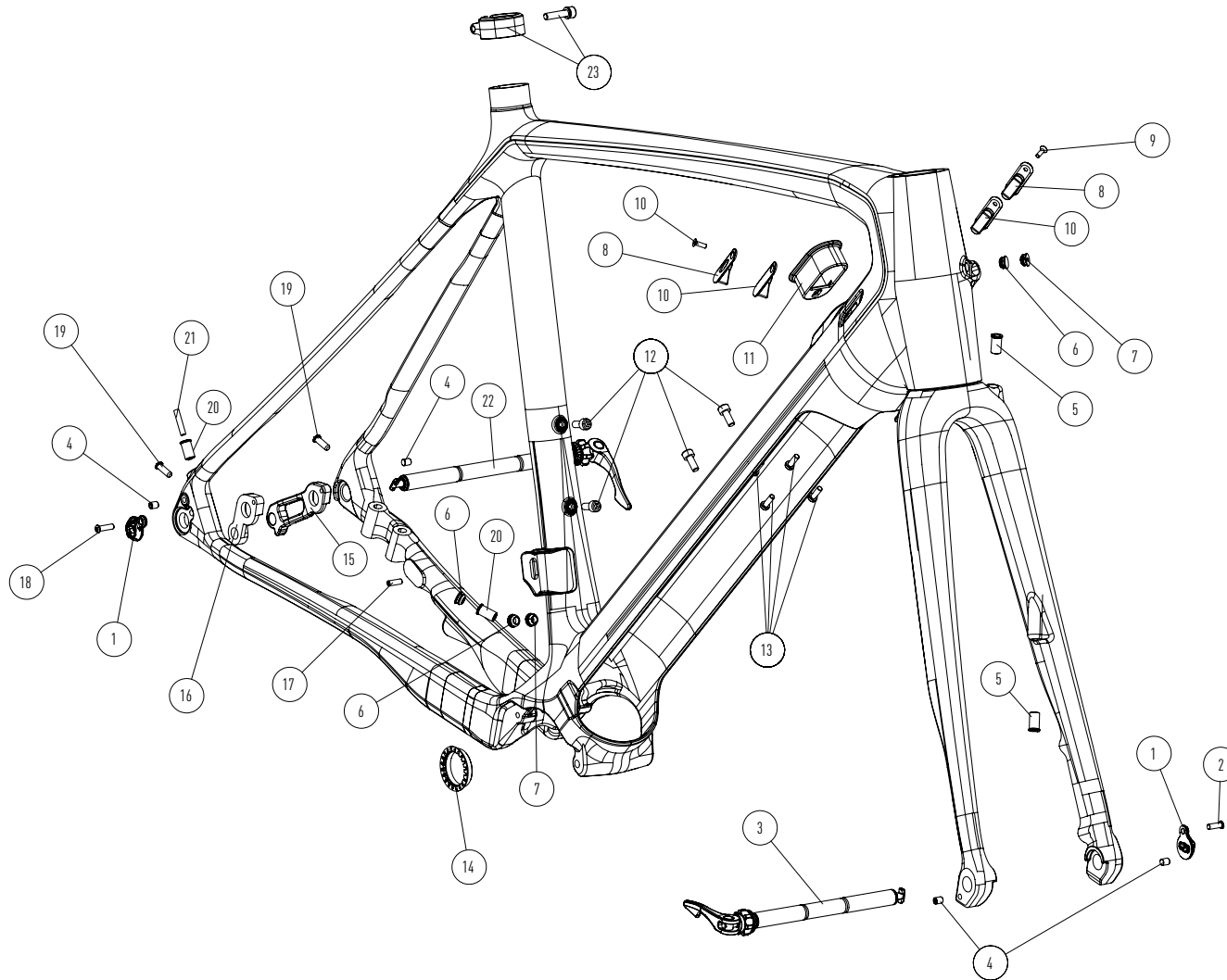


PARALANE²

PP1926 | C

EXPLODED DRAWING



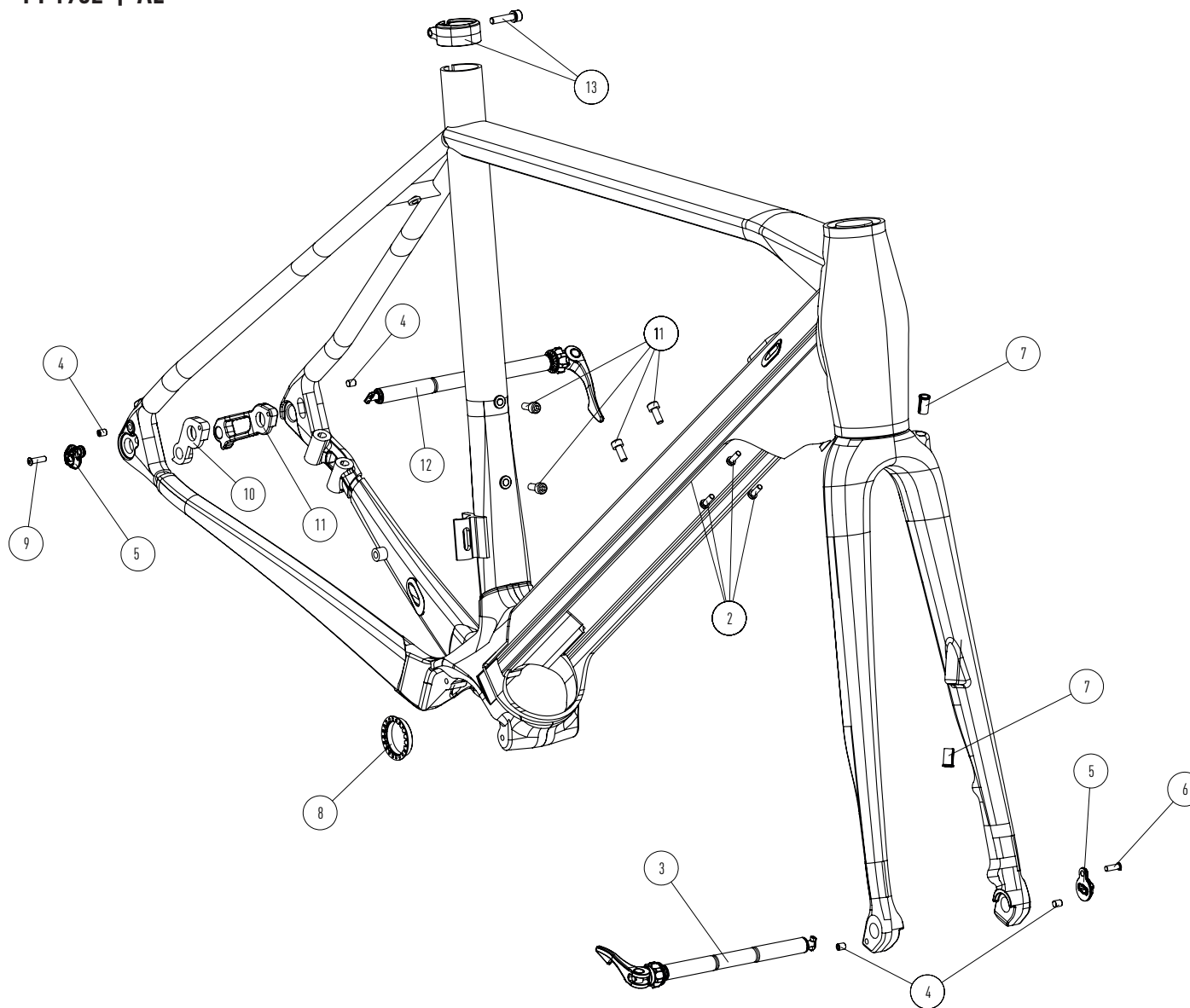
MATERIAL	CARBON
WHEELSIZE	700C / MAX 28MM TIRES
FORK	LENGTH: 380MM / RAKE 42MM, MAX ROTOR 160MM, AXLE WIDTH 100MM / Ø 12 MM
HEADSET	UPPER IS 42, LOWER IS 52
SEATPOST / SEATCLAMP	Ø 27,2MM, MINIMUM INSERT: 100MM
BRAKEMOUNT	FLATMOUNT 160MM, MAX ROTOR: 160MM
REAR AXLE	WIDTH 148MM / Ø 12MM
FRONT AXLE	WIDTH 110MM / Ø 12MM
ENGINE	FAZUA EVATION
BATTERY	FAZUA EVATION
MAX SYSTEM WEIGHT	120KG

POS	PART #	PART NAME	QTY
01	KD325917002	R.A.T. NUT	2
02	KD325917080	R.A.T. NUT SCREW - CUSTOM - M4 X 12	1
03	KD161218029	THRU AXLE FRONT 110 X 12MM R.A.T. EVO BOOST	1
04	NORM PART	FENDER SCREW - DIN 913 - M5 X 6MM	4
05	KD325916087	YOZU 6MM	2
06	KD325916165	BLIND ROUND PLUG	1
07	KD325918278	D12 ROUND PLUG	2
08	KD325914025	DT CABLE PORT - THRU HOLE Ø6.2MM	2
09	NORM PART (KD325916062)	DT CABLE PORT SCREW - DIN 7991 - M3 X 10MM	2
10	KD325914024	DT CABLE PORT - BLIND	2
11	KD170918020	RELEASE BUTTON FRAME	1
12	KD199119008	BOTTLE CAGE SCREW M5 X 12	4
13	NORM PART	FAZUA EVATION LOCK SCREW - DIN7985 T X 20 - M4 X P0.7 X 12	4
14	KD170919003	LOCK RING FOR EVATION	1
15	KD325919141	DCW SHIMANO DIRECT MOUNT HANGER RR V-1	1
16	KD325915006	RD HANGER	1
17	NORM PART (KD199119032)	SPEED SENSOR STOPPING SCREW - DIN 913 - M4 X 12MM	1
18	KD325917006	R.A.T. NUT SCREW - CUSTOM - M4 X 14	1
19	KD325917110	FENDER STAYS PLUG	2
20	KD325916086	YOZU 5,5MM	2
21	KD110919002	D12 WIRE SLEEVE	1
22	KD160218030	THRU AXLE REAR 148 X 12MM R.A.T. EVO BOOST	1
23	KD125418007	SEAT CLAMP 30.4MM WITH SCREW - DIN912 - M5 X 22MM - WITH WASHER	1

PARALANE²

PP1932 | AL

EXPLODED DRAWING



MATERIAL	FRAME ALUMINUM / FORK CARBON
WHEELSIZE	700C / MAX 35MM TIRES
FORK	LENGTH: 380MM / RAKE 42MM
HEADSET	UPPER IS 42, LOWER IS 52
SEATPOST / SEATCLAMP	Ø 27,2MM, MINIMUM INSERT: 100MM
BRAKEMOUNT	FLATMOUNT 160MM, MAX ROTOR: 160MM
REAR AXLE	WIDTH 148MM / Ø 12MM
FRONT AXLE	WIDTH 110MM / Ø 12MM, MAX ROTOR: 160MM
ENGINE	FAZUA EVATION
BATTERY	FAZUA EVATION
MAX SYSTEM WEIGHT	120KG

POS	PART #	PART NAME	QTY
01	KD199119008	DCW BOTTLE CAGE SCREW M5 X 12	4
02	NORM PART	FAZUA EVATION LOCK SCREW - DIN7985 TX 20 - M4 X P0.7 X 12	4
03	KD161218029	THRU AXLE FRONT 110 X 12MM R.A.T. EVO BOOST	1
04	NORM PART	FENDER SCREW - DIN 913 - M5 X 6MM	4
05	KD325917037	R.A.T. NUT	1
06	KD325917080	R.A.T. NUT SCREW - CUSTOM - M4 X 12	1
07	KD325916087	YOZU PLUG 6MM	2
08	KD170919003	LOCK RING FOR EVATION	1
09	KD325917006	R.A.T. NUT SCREW - CUSTOM - M4 X 14	1
10	KD325915006	RD HANGER	1
11	KD325919141	DCW SHIMANO DIRECT MOUNT HANGER RR V-1	1
12	KD160218030	THRU AXLE REAR 148 X 12MM R.A.T. EVO BOOST	1
13	KD125418001	SEAT CLAMP 31.8MM WITH SCREW - DIN912	1
14	NORM PART	ISO 4762 M5 X 12 SCREW	4