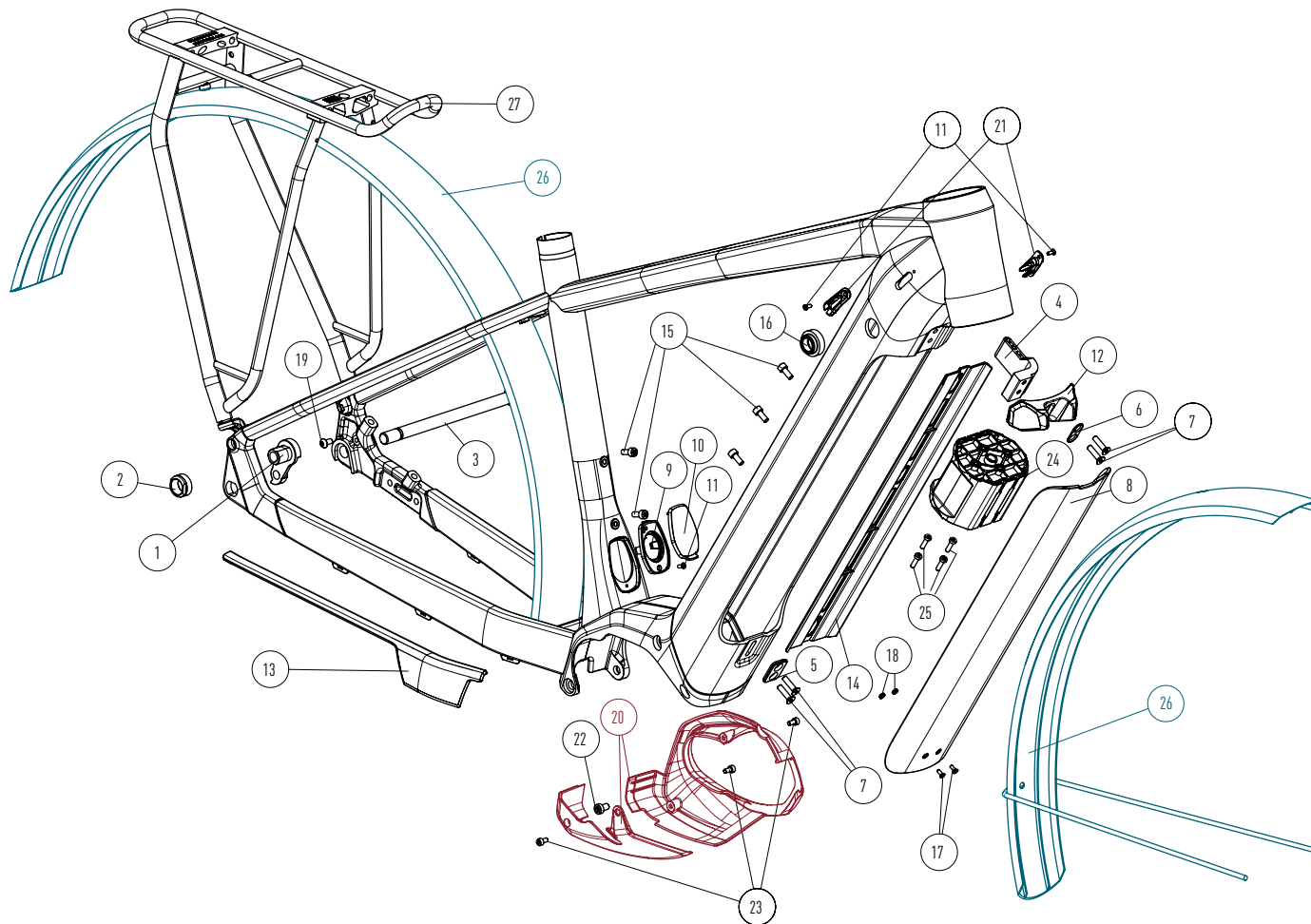


AVENTURA²

PP2010 | AL

EXPLODED DRAWING



MATERIAL	ALUMINUM
WHEELSIZE	29" MAX. 2.25" / 55MM WITH FENDERS
TRAVEL	FRONT 100MM
HEADSET	UPPER 56 / 42, LOWER 56 / 40
SEATPOST / SEATCLAMP	Ø 31,6MM / Ø 34,9MM
BRAKEMOUNT	PM 180MM, MAX ROTOR: 203MM
REAR AXLE	BOOST 148 X 12MM
ENGINE	BOSCH CX GENERATION 4
BATTERY	625WH / 500WH
MAX SYSTEM WEIGHT	120KG
KICK STAND MOUNT	DIRECT 40

POS	PART #	PART NAME	QTY
01	KD325920004	HANGER	1
02	KD325920005	HANGER NUT	1
03	KD160218036	148 X 12 AXLE	1
04	KD325920006	L-BRACKET	1
05	KD325920007	TWIN WASHER - LOWER POS.	1
06	KD199318004	TWIN WASHER - HIGHER POS.	1
07	NORM PART	DIN7991 M5 X 20 SCREW	4
08	KD325920024	625WH. BATTERY COVER	1
09	KD325920037	CHARGE PORT BRACKET	1
10	KD325920035	CHARGE PORT COVER	1
11	NORM PART	ISO10642 M3 X 8 SCREW	3
12	KD325920021	FORK BUMPER	1
13	KD325920036	CHAINSTAY PROTECTOR	1
14	KD325920028	DT CABLE CHANNEL	1
15	NORM PART	ISO 4762 M5 X 12 SCREW	5
16	KD325920027	LOCK COVER	1
17	NORM PART	DIN 7993 M3 X 10 SCREW	2
18	NORM PART	ISO4033 M3 NUT	2
19	NORM PART	ISO7380 M5 X 8 SCREW	1
20	KD325920023	MOTOR COVER SET R / L	1
21	KD325920029	DT CABLE PLUG	2
22	NORM PART	DIN6912 M6 X 10	1
23	KD199120009	M4 X 8 SCREW	3
24	KD170620099	BATTERY EXTENSION, (ONLY FOR PT 500 WH)	1
25	NORM PART	SCREW DIN 7984 M4 X 14, (ONLY FOR PT 500 WH)	4
26	KD140120999	FENDER COMPLETE SET - F / R	1
27	KD130120999	CARRIER COMPLETE SET	1