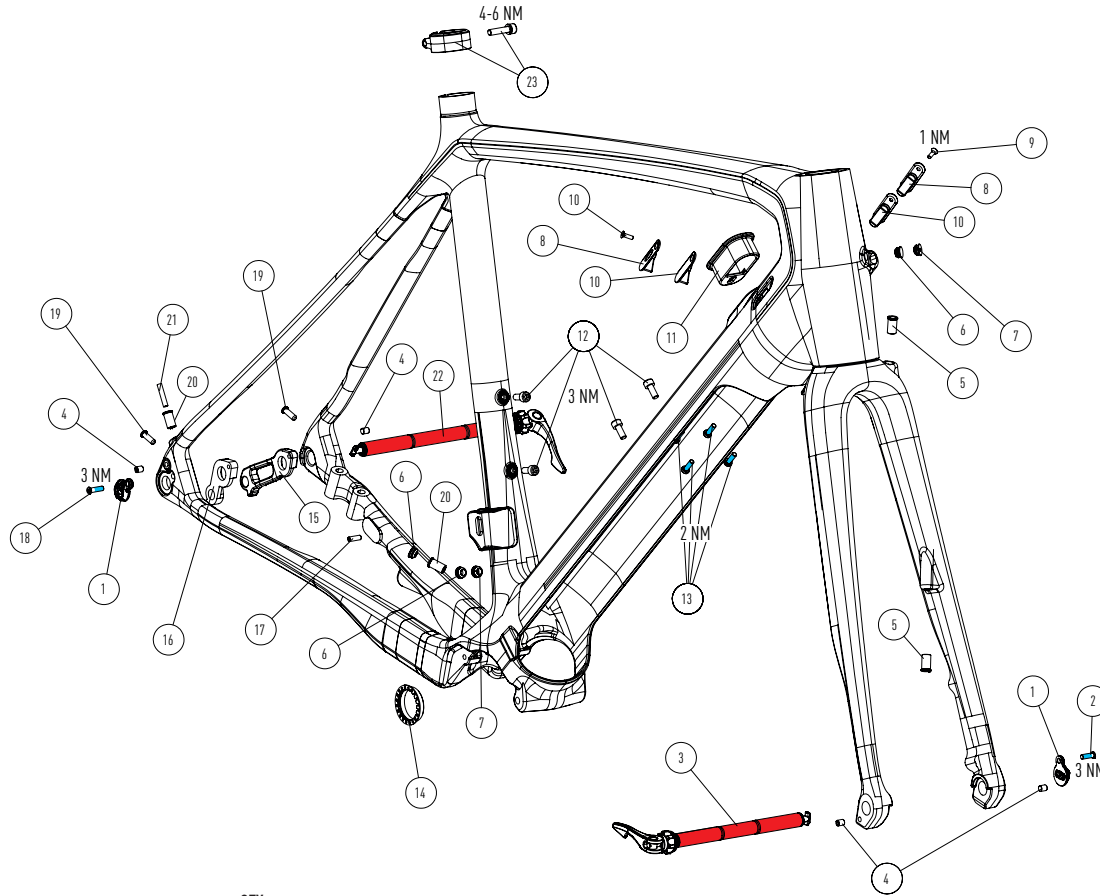


EXPLODED DRAWING



PARALANE²


PP1926 | C

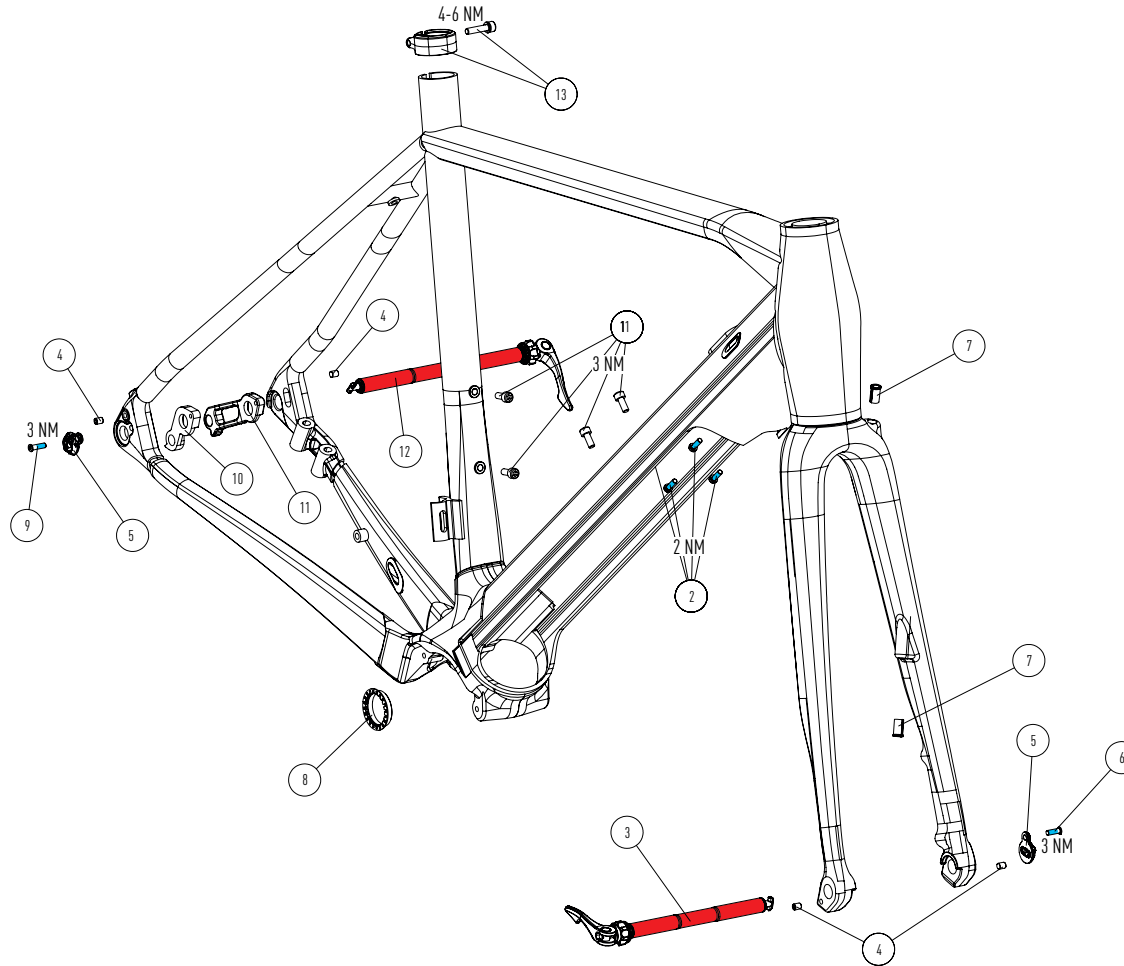
POS	PART #	PART NAME	QTY
01	KD325917002	R.A.T. NUT	2
02	KD325917080	R.A.T. NUT SCREW - CUSTOM - M4 X 12	1
03	KD161218029	THRU AXLE FRONT 110 X 12MM R.A.T. EVO BOOST	1
04	NORM PART	FENDER SCREW - DIN 913 - M5 X 6MM	4
05	KD325916087	YOZU 6MM	2
06	KD325916165	BLIND ROUND PLUG	1
07	KD325918278	D12 ROUND PLUG	2
08	KD325914025	DT CABLE PORT - THRU HOLE Ø6.2MM	2
09	NORM PART (KD325916062)	DT CABLE PORT SCREW - DIN 7991 - M3 X 10MM	2
10	KD325914024	DT CABLE PORT - BLIND	2
11	KD170918020	RELEASE BUTTON FRAME	1
12	KD199119008	BOTTLE CAGE SCREW M5 X 12	4

13	NORM PART	FAZUA EVATION LOCK SCREW - DIN7985 T X 20 - M4 X P0.7 X 12	4
14	KD170919003	LOCK RING FOR EVATION	1
15	KD325919141	DCW SHIMANO DIRECT MOUNT HANGER RR V-1	1
16	KD325915006	RD HANGER	1
17	NORM PART (KD199119032)	SPEED SENSOR STOPPING SCREW - DIN 913 - M4 X 12MM	1
18	KD325917006	R.A.T. NUT SCREW - CUSTOM - M4 X 14	1
19	KD325917110	FENDER STAYS PLUG	2
20	KD325916086	YOZU 5,5MM	2
21	KD110919002	D12 WIRE SLEEVE	1
22	KD160218030	THRU AXLE REAR 148 X 12MM R.A.T. EVO BOOST	1
23	KD125418007	SEAT CLAMP 30.4MM WITH SCREW - DIN912 - M5 X 22MM - WITH WASHER	1

MATERIAL	CARBON
WHEELSIZE	700C MAX. 35MM TIRE
HEADSET	UPPER IS Ø42MM - LOWER IS Ø52MM
FORK	700C - LENGTH 380MM - RAKE 46MM
SEATPOST / SEATCLAMP	Ø27,2MM - Ø31,8MM - MINIMUM INSERT 100MM
FRONT BRAKEMOUNT	FLATMOUNT Ø140MM - MAX. ROTOR Ø180MM
FRONT AXLE	110MM / Ø12MM
REAR BRAKEMOUNT	FLATMOUNT Ø140MM - MAX. ROTOR Ø160MM
REAR AXLE	148MM / Ø12MM
RD HANGER	FOCUS
ENGINE	FAZUA EVATION
BATTERY	FAZUA 252WH
MAX SYSTEM WEIGHT	120 KG

EXPLODED DRAWING

 GREASE
 THREAD LOCK MEDIUM



PARALANE²

PP1932 | AL

POS	PART #	PART NAME	QTY
01	KD199119008	DCW BOTTLE CAGE SCREW M5 X 12	4
02	NORM PART	FAZUA EVATION LOCK SCREW - DIN7985 T X 20 - M4 X P0.7 X 12	4
03	KD161218029	THRU AXLE FRONT 110 X 12MM R.A.T. EVO BOOST	1
04	NORM PART	FENDER SCREW - DIN 913 - M5 X 6MM	4
05	KD325917037	R.A.T. NUT	1
06	KD325917080	R.A.T. NUT SCREW - CUSTOM - M4 X 12	1
07	KD325916087	YOZU PLUG 6MM	2

08	KD170919003	LOCK RING FOR EVATION	1
09	KD325917006	R.A.T. NUT SCREW - CUSTOM - M4 X 14	1
10	KD325915006	RD HANGER	1
11	KD325919141	DCW SHIMANO DIRECT MOUNT HANGER RR V-1	1
12	KD160218030	THRU AXLE REAR 148 X 12MM R.A.T. EVO BOOST	1
13	KD125418001	SEAT CLAMP 31.8MM WITH SCREW - DIN912	1
14	NORM PART	ISO 4762 M5 X 12 SCREW	4

MATERIAL	ALUMINUM 6061
WHEELSIZE	700C MAX. 35MM TIRE
HEADSET	UPPER IS Ø42MM - LOWER IS Ø52MM
FORK	700C - LENGTH 380MM - RAKE 46MM
SEATPOST / SEATCLAMP	Ø27,2MM - Ø31,8MM - MINIMUM INSERT 100MM
FRONT BRAKEMOUNT	FLATMOUNT Ø140MM - MAX. ROTOR Ø180MM
FRONT AXLE	110MM / Ø12MM
REAR BRAKEMOUNT	FLATMOUNT Ø140MM - MAX. ROTOR Ø160MM
REAR AXLE	148MM / Ø12MM
RD HANGER	FOCUS
ENGINE	FAZUA EVATION
BATTERY	FAZUA 252WH
MAX SYSTEM WEIGHT	120 KG