



# RESTORE-L

Extending satellite lifespans  
and our reach into space



MAXAR

## NASA'S RESTORE-L SERVICER WILL EXTEND SATELLITES' LIFESPANS—EVEN IF THEY WERE NOT DESIGNED TO BE SERVICED ON-ORBIT.

Led by NASA's Goddard Space Flight Center and built by Maxar, the Restore-L spacecraft will rendezvous with, grasp, refuel, and relocate a government-owned satellite to extend its life.

Fitted with a Maxar Space Infrastructure Dexterous Robot (SPIDER) arm, Restore-L will also demonstrate on-orbit assembly and manufacturing and validate the use of tools, technologies, and techniques that are critical to future exploration missions, including NASA's Artemis program.

### Servicing in low Earth orbit

Operating in low Earth orbit, Restore-L will provide new ways for satellite operators to manage their fleets and maximize their investments, contributing to a more sustainable space economy.

## FACTS ABOUT RESTORE-L:

- Mid 2020s launch
- Spacecraft bus design is based on Maxar's 1300-class platform
- Critical Design Review completed and primary structure is manufactured
- Extends the life of valuable spacecraft already on-orbit
- Enables new spacecraft designs and operations

The technologies we're proving on Restore-L together with NASA Goddard Space Flight Center and the West Virginia Robotics Technology Center will revolutionize human space exploration, science, and commercial activities. Specifically, advanced robotic systems will play a vital role in enabling Artemis, putting the first woman on the Moon by 2024, and going on to Mars.



Chris Shank, Vice President, National Security and Civil Space, Maxar

# 60+

Years of  
experience

# 280+

Spacecraft  
built

# 2,200

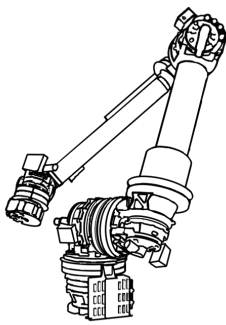
Collective years  
on orbit

Maxar is a trusted partner and innovator in Earth Intelligence and Space Infrastructure. We design, build, integrate and test solutions for space-based communications, Earth observation, exploration and on-orbit assembly and servicing.

Our renowned space infrastructure capabilities are rooted in the innovative legacy of SSL (Space Systems Loral). Now, as Maxar, we are building on this experience to empower commercial and government programs to advance space exploration and improve life on Earth.

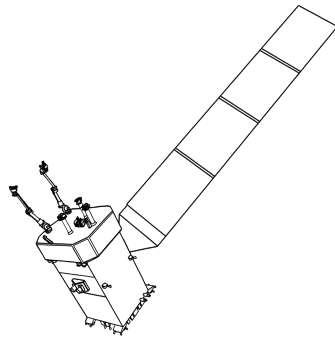
## Maxar and NASA

Our collaborative partnership with NASA dates back to the Apollo 11 Moon landing and continues to grow and evolve across the International Space Station and robotic exploration missions.



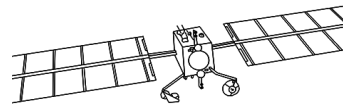
### Robotic Arms on Mars

Maxar is the proud space robotics arm partner for 6 of NASA's Mars landers and rovers.



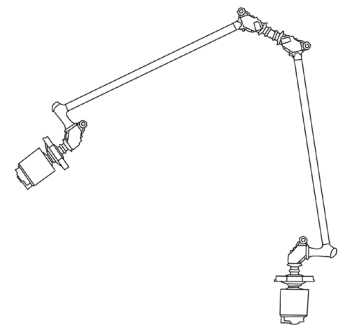
### Restore-L

Led by NASA and built by Maxar, Restore-L will refuel and relocate a government-owned satellite to extend its life.



### Power and Propulsion Element

The Power and Propulsion Element for Gateway will support sustained missions to the Moon and future crewed missions to Mars.



### SPIDER

These robotic arms enable semi-autonomous on-orbit assembly and service.