

58027 SERIES ROCKER SWITCHES



Features and Benefits

- Silver contacts for corrosion resistance.

Specifications Overview

| | |
|----------------------------|--|
| Voltage Rating: | 25A @ 12V DC 15A @ 24V DC |
| Housing: | Black Plastic |
| Mounting: | Snap-in matte black bezel through 21.1mm x 36.8mm rectangular Panel Hole, 2.4mm to 4.7mm thick |
| Ingress Protection: | IP66 (Contact Area) |

Applications

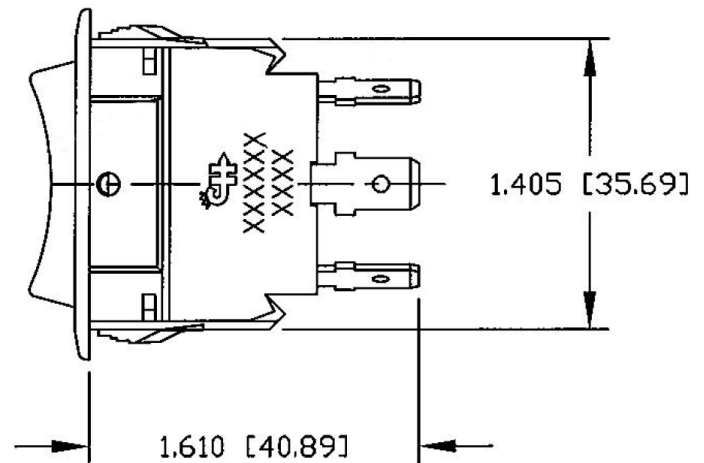
- Construction Equipment
- Agricultural Equipment
- Material Handling Equipment
- Commercial Vehicles

Description

Littelfuse Rocker Switches are designed for universal applications within harsh environments. Their mounting, body, and actuator features are designed for ease-of-use and extended product lifecycle.

The 58027 Series is our most popular line of unlit rocker switches. These products are single-actuator switches that are commonly used for in-cabin controls, but are IP66 rated against dust and moisture.

Dimensions



Web Resources

Download 2D print and technical resources at:
littelfuse.com/58027

Ordering Information

| PART NUMBER | DESCRIPTION | CIRCUITRY | ACTUATOR | POSITIONS | TERMINATION |
|-------------|---------------------------------|-----------|--|--|----------------|
| 58027-01 * | Single, Dependent Rocker Switch | SPST | 2-position, matte black plastic actuator | On - Off (Up-Down) | 2 Brass Blades |
| 58027-04 * | Single, Dependent Rocker Switch | SPDT | 3-position, matte black plastic actuator | Momentary On - Off - Momentary On (Up-Center-Down) | 3 Brass Blades |
| 58027-06 * | Single, Dependent Rocker Switch | DPST | 2-position, matte black plastic actuator | Off - On (Up-Down) | 4 Brass Blades |
| 58027-11 * | Single, Dependent Rocker Switch | DPDT | 3-position, matte black plastic actuator | On - Off - Momentary On (Up-Center-Down) | 6 Brass Blades |

* Box and Retail Blister Pack Available