

75920 SERIES MASTER BATTERY DISCONNECT SWITCHES

400A • SPST • IP68 • Integrated lockout tag-out



Description

The 75920 Master Battery Disconnect switch is designed to protect service personnel and your vehicle systems. The switch protects vehicles from both battery drain and theft as well as allowing service personnel to lock-out tag-out. It also serves as an effective emergency power cutoff.

Features/Benefits

- High amperage capacity: 400A with single 4/0 cable
- Can be used in high side or low side applications
- Waterproof and dustproof to IP68 - switch can be mounted in exposed locations
- Composite engineered polymer housing will not rust or corrode. Tested per SAE 1455 for salt, calcium chloride and magnesium chloride
- Large red or yellow knob is easy to operate with gloves
- 90° switch travel makes it easy to identify the switch position
- Large divider on base prevents accidental shorting of high energy cables
- Fits standard Master Disconnect mounting pattern

Ordering Information

PART NUMBERS			SWITCH POSITION SYMBOLS	BATTERY TERMINAL		
BULK	BOXED	RETAIL		THREADS	TORQUE	MATERIAL
75920	75920-BX	75920-BP	"On" - "Off"	3/8-24"	70-90in-lbs (8-10 Nm)	Copper
75920-01	-	-	"On" - "Off"	3/8-24"	70-90in-lbs (8-10 Nm)	Copper
75920-03	-	-	"On" - "Off"	3/8-24"	70-90in-lbs (8-10 Nm)	Copper
75920-05	75920-05-BX	-	"I" - "O"	3/8-24"	70-90in-lbs (8-10 Nm)	Copper
75920-10	75920-10-BX	-	"On" - "Off"	3/8-24"	70-90in-lbs (8-10 Nm)	Copper
75921-02	-	-	"On" - "Off"	M10x1.5	70-90in-lbs (8-10 Nm)	Copper
75921-10	75921-10-BX	-	"I" - "O"	M10x1.5	70-90in-lbs (8-10 Nm)	Copper

Need a custom version? This product can be made available with a custom knob and bezel design. Please contact your sales rep to discuss lead time and minimum order requirements.

Specifications

Operating Voltage:	6V min, 36V max
Continuous Current:	12V: 400A max (single 4/0 cable) 24V: 300A max 36V: 200A max
Intermittent Current:	12V: 1000A 90 sec on, 5 min off 12V: 1500A 60 sec on, 5 min off 12V: 2000A 30 sec on, 5 min off 12V: 3000A 15 sec on, 5 min off
Operating Temp:	-40 to +85 °C
Ingress Protection:	IP68
Corrosion Test:	96 hours - salt spray test to ASTM standard
Vibration and Shock Test:	SAE J1455
Mounting Stem:	Threads: 3/4"-16 Max Torque: 18 ft-lbs (24.4 Nm)
Knob Retention Screw Torque:	7.0 in-lbs +/- 2.0 in-lbs 0.79 Nm +/- 0.23Nm

Applications

- Heavy Truck
- Off-Road
- Emergency Vehicles
- Material Handling
- Mining
- Agricultural
- Marine
- Construction

Web Resources

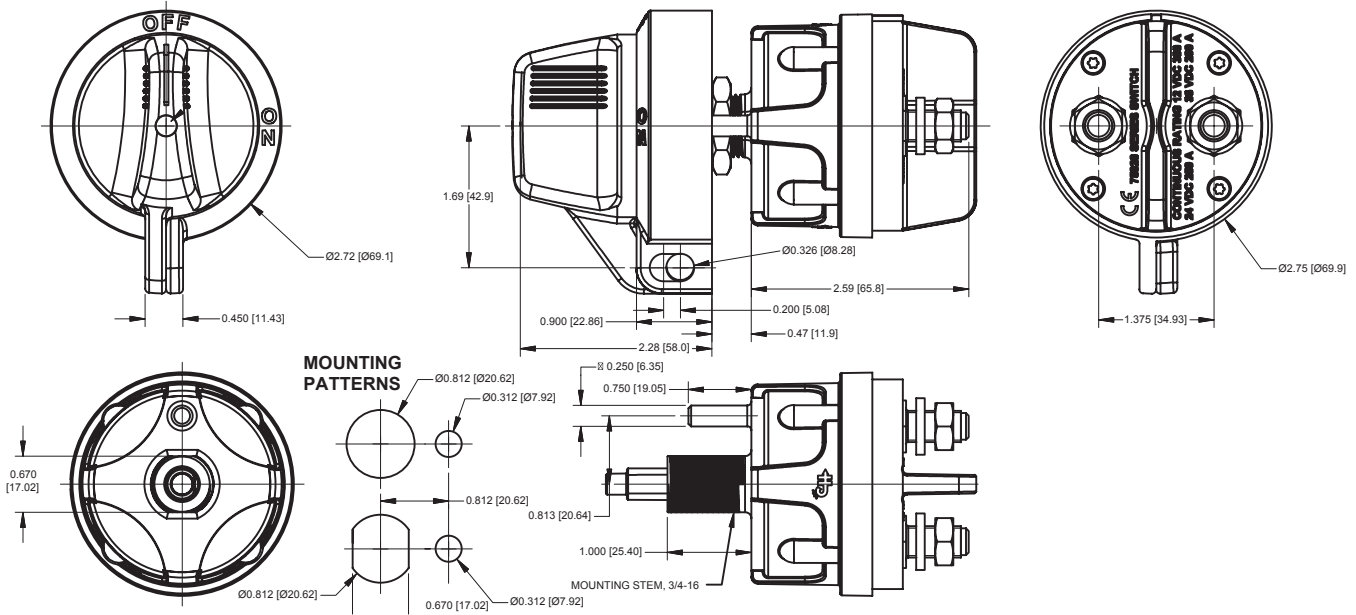
Download installation instructions, 2D prints and technical resources at: littelfuse.com/75920

Datasheet Replaces Hotfeed Number D-618

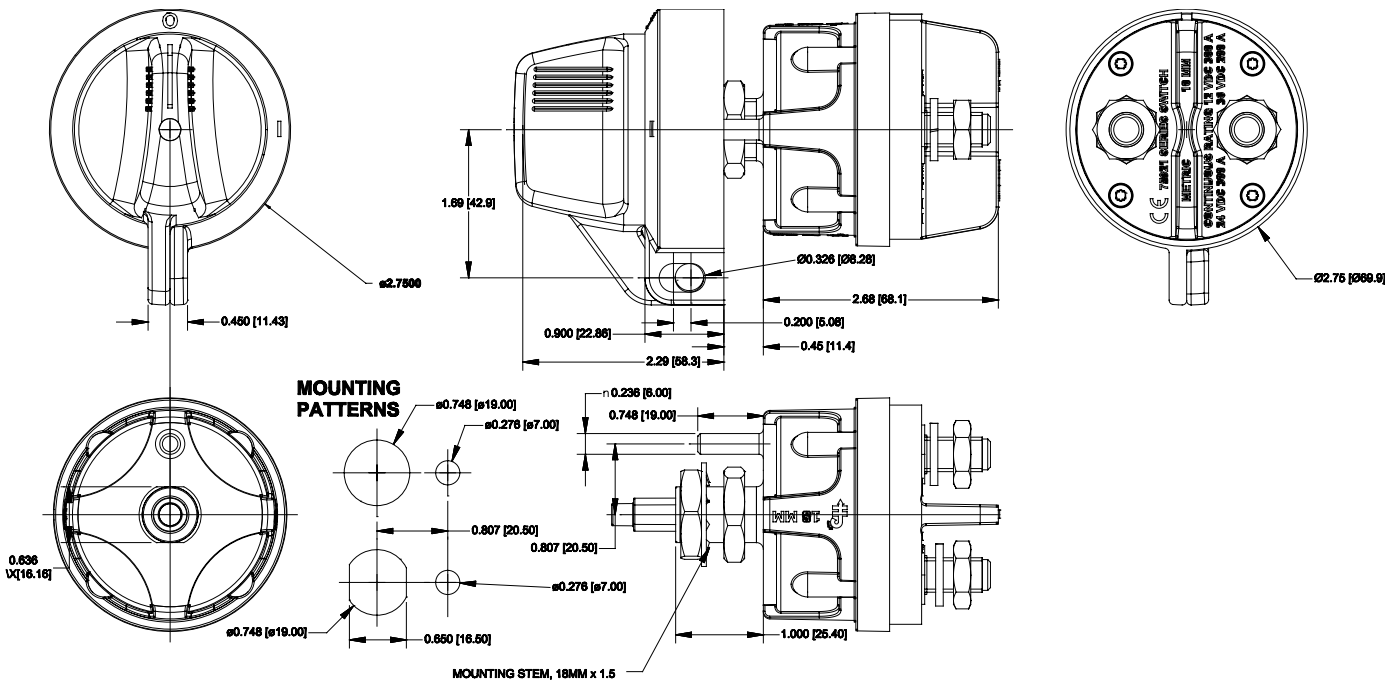
75920 MASTER BATTERY DISCONNECT SWITCH SERIES

Dimensions in inches (millimeters)

75920



75921



Datasheet Replaces Hotfeed Number D-618