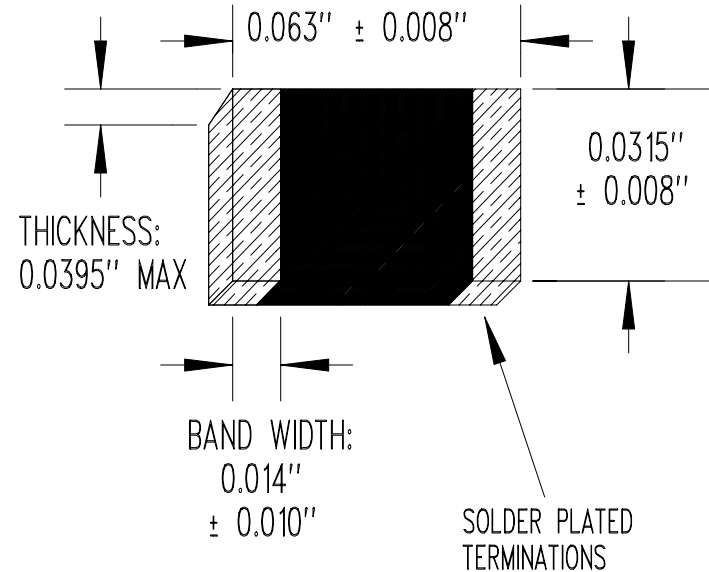


| RESISTANCE/TEMPERATURE TABLE | | | |
|------------------------------|--------------|--------------|--------------|
| TEMP (°C) | RESIS (Ω) | TEMP (°C) | RESIS (Ω) |
| -40 | 1,705,167 | 45 | 21,732 |
| -35 | 1,225,673 | 50 | 17,903 |
| -30 | 891,539 | 55 | 14,827 |
| -25 | 655,792 | 60 | 12,342 |
| -20 | 487,505 | 65 | 10,323 |
| -15 | 366,037 | 70 | 8,675 |
| -10 | 277,441 | 75 | 7,322 |
| -5 | 212,176 | 80 | 6,207 |
| 0 | 163,645 | 85 | 5,283 |
| 5 | 127,233 | 90 | 4,519 |
| 10 | 99,681 | 95 | 3,880 |
| 15 | 78,664 | 100 | 3,345 |
| 20 | 62,509 | 105 | 2,894 |
| 25 | 50,000 | 110 | 2,513 |
| 30 | 40,224 | 115 | 2,189 |
| 35 | 32,566 | 120 | 1,914 |
| 40 | 26,526 | 125 | 1,678 |



RESISTANCE @ +25°C = 50,000 Ω ± 5%
 BETA "β" (+25 TO +85°C) = 4,000°K NOMINAL
 POWER RATING = 150 mW
 OPERATING TEMPERATURE RANGE = -40 TO +125°C

SEE MANUFACTURING SPECIFICATION (LAYER 1)

| | | | |
|------|-----------------------|----------|-----|
| NONE | RELEASE TO PRODUCTION | 12/12/03 | DD |
| REV | REVISION RECORD | DATE | APP |

| | | |
|----------|-------------|---|
| SCALE | NONE | U.S. SENSOR CORP. 1832 W. COLLINS AVE. ORANGE, CA . 92867 714-639-1000 www.ussensor.com |
| DRAWN BY | DAN DANKERT | |
| DATE | 12/12/03 | |
| REV. | NONE | |
| LAYER | 0 OF 2 | |
| | | THERMISTOR, NTC CHIP |
| | | P/N RB503K0J |