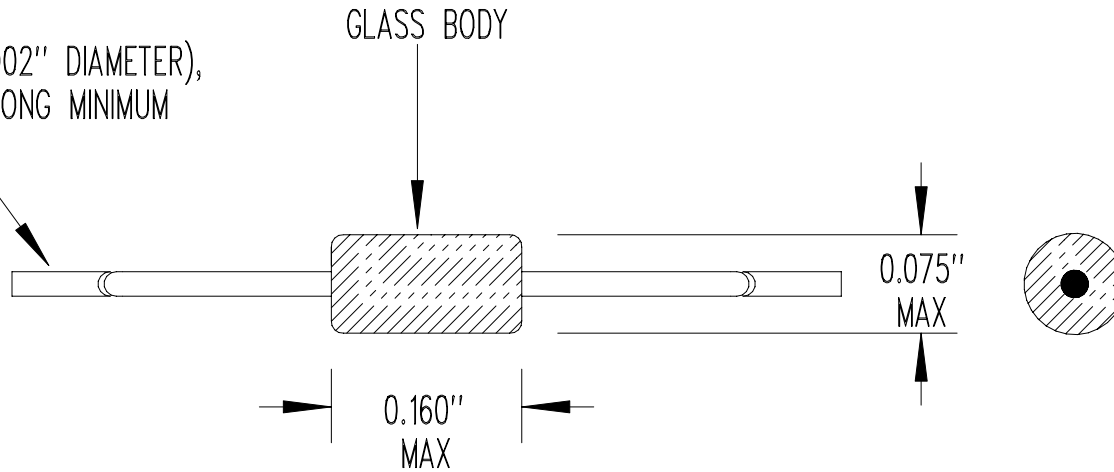


24 AWG (0.020" ± 0.002" DIAMETER),
TINNED CCS, 1.00" LONG MINIMUM



RESISTANCE @ +25°C = 500 Ω ± 5%
 RESISTANCE TEMPERATURE CURVE = "B"
 BETA "β" (0 TO +50°C) = 2,941°K NOMINAL
 TEMPERATURE COEFFICIENT @ +25°C = -3.31%/°C NOMINAL
 DISSIPATION CONSTANT = 2 mW/°C NOMINAL (STILL AIR)
 THERMAL TIME CONSTANT = 5 SECONDS NOMINAL (STILL AIR)
 THERMAL TIME CONSTANT = 0.5 SECONDS NOMINAL (STIRRED OIL)
 MAXIMUM OPERATING TEMPERATURE = +220°C

NONE	RELEASE TO PRODUCTION	08/11/03	DD
REV	REVISION RECORD	DATE	APP

SCALE NONE	U.S. SENSOR CORP. 1832 W. COLLINS AVE. ORANGE, CA 92867 714-639-1000 www.ussensor.com
DRAWN BY DAN DANKERT	
DATE 08/11/03	NTC THERMISTOR
REV NONE	P/N 501BG1J
LAYER 0 OF 1	