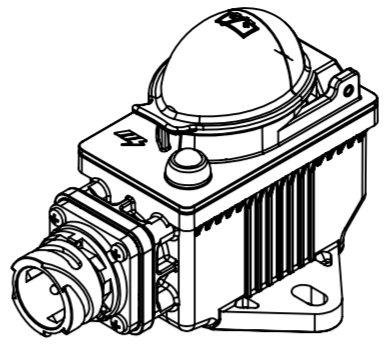
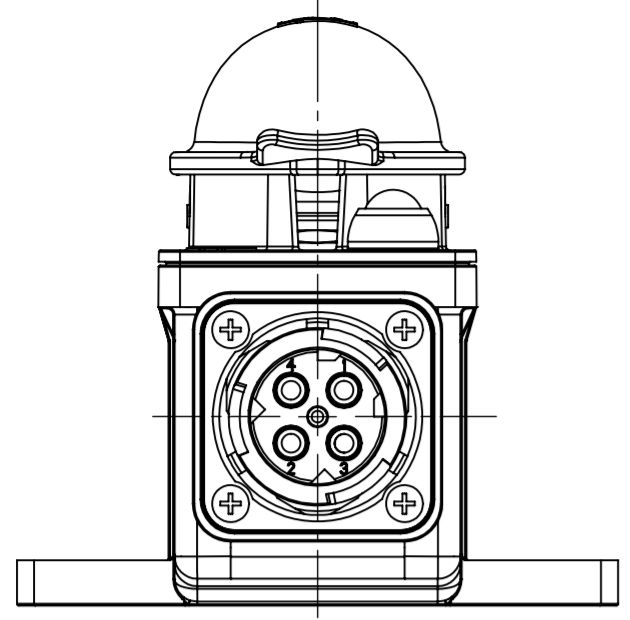
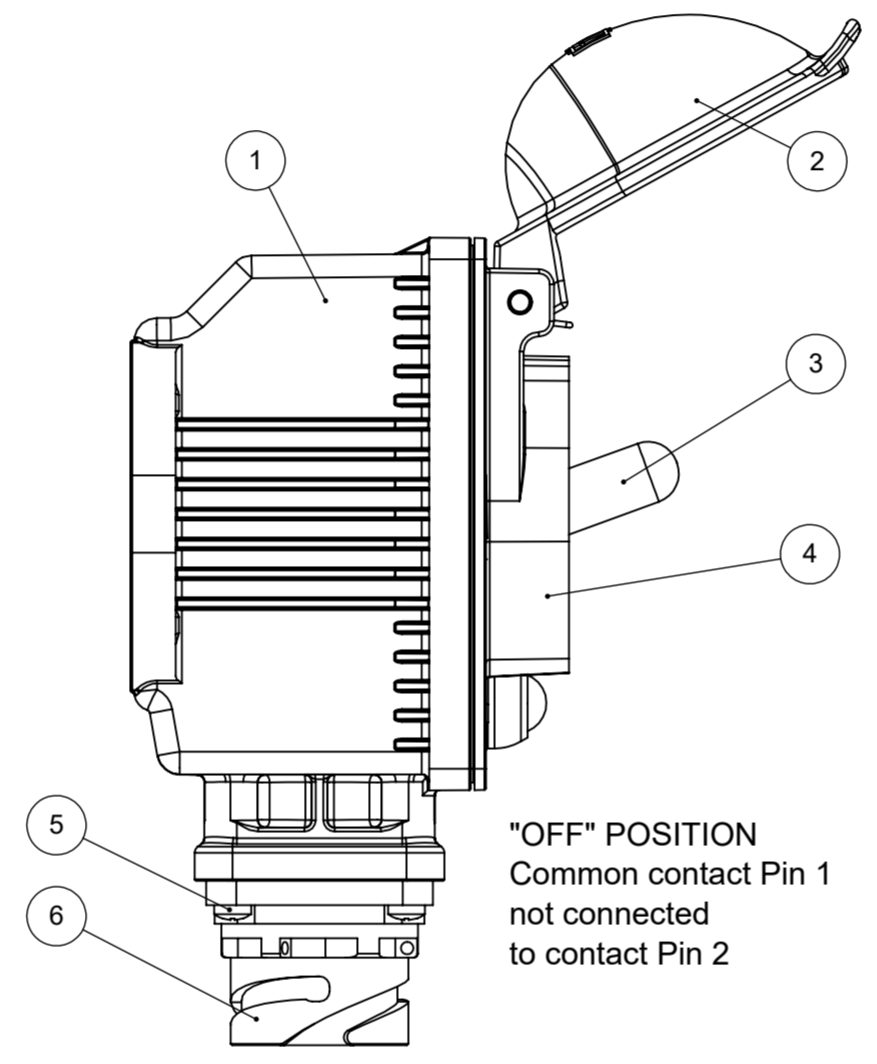
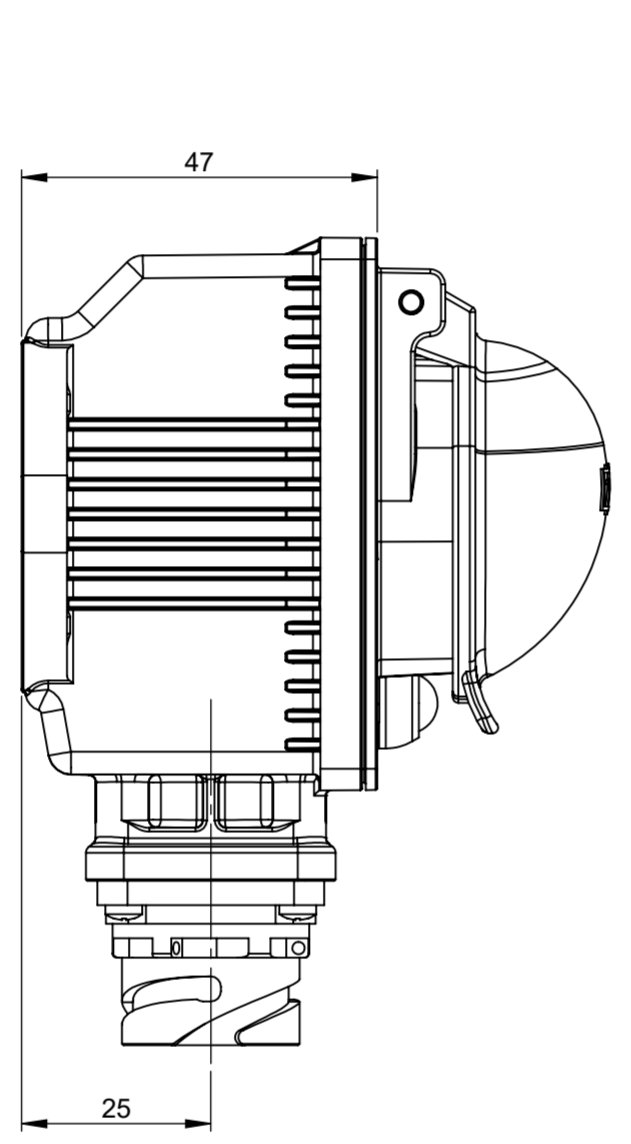
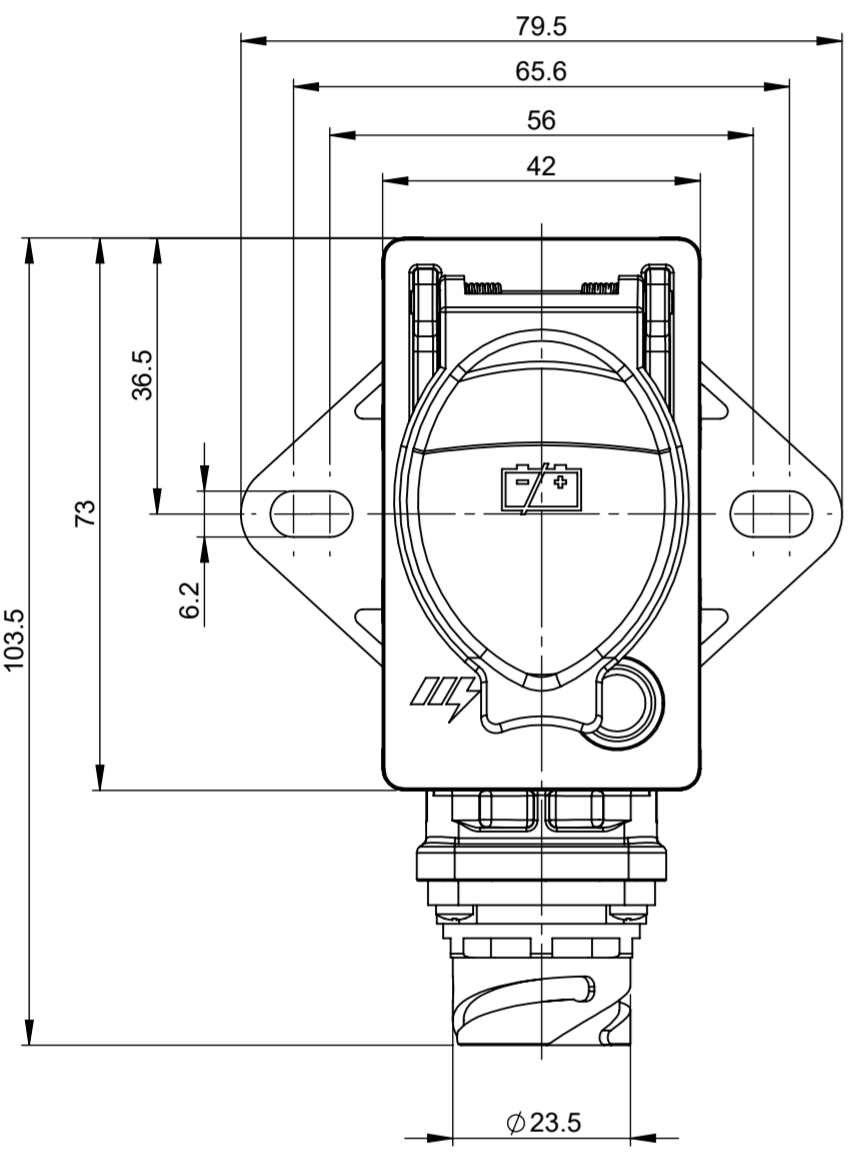


THIS DRAWING AND THE INFORMATION CONTAINED WITHIN IT ARE CONFIDENTIAL AND MAY NOT BE COPIED OR DISCLOSED WITHOUT THE WRITTEN PERMISSION OF LITTELFUSE.

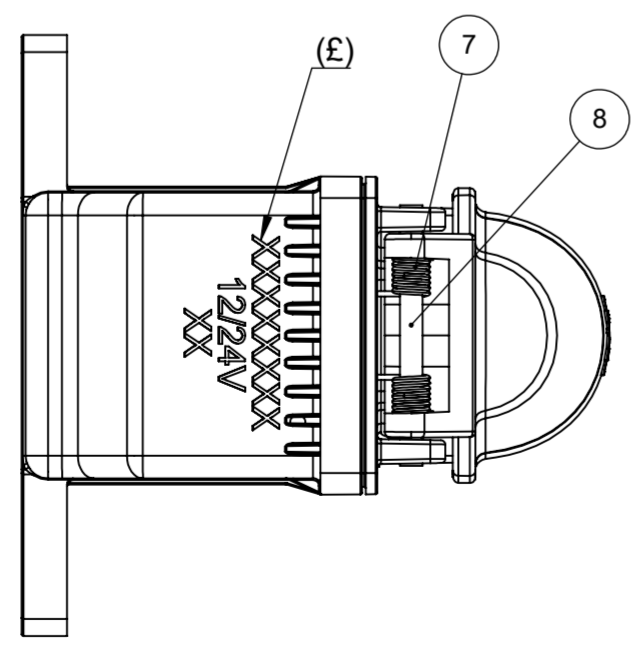
REVISIONS				
REV.	DESCRIPTION	DATE	DESIGNED	APPROVED
A	First issue of outline drawing	19-Jun-20	L.Dal Molin	M.Tinto



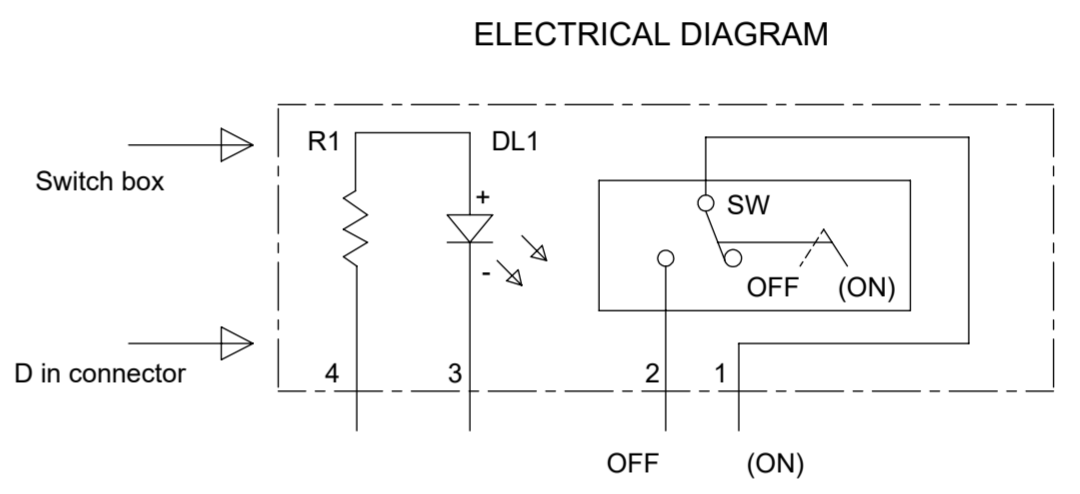
SCALE 1:2



"OFF" POSITION
Common contact Pin 1
not connected
to contact Pin 2



"(ON)" POSITION
Common contact Pin 1
connected
to contact Pin 2



PRESCRIPTIONS

- (E) The device have to be marked with product p/N, working nominal tension and manufacturing date
- It is recommended to fix the device to the structure by means of screws M6 and flat washer 6.4x12.5 by locking torque 8 ± 2 Nm
- To assure the correct work of switch we recommend to operate it simulating an emergency situation once a month
- The functionality of the device is not influenced by the fitting orientation
- The "OFF" - "ON" instructions showed on the drawing are referred to the functions obtained when the device is connected to the battery switches

CHARACTERISTICS

- Nominal voltage: 12V or 24V
- Working current: 10A
- Vibrations resistance: - Frequency 10 ± 50 Hz
- Acceleration $150m/s^2$
- Number of electrical and mechanical cycles: 30.000
- Weight of the device: about 0.13 Kg

DOCUMENTO CORRELATO AL CERTIFICATO:
DOCUMENT CORRELATED TO THE CERTIFICATE:
AR 17 ATEX 022X
Non sono ammesse modifiche senza l' approvazione della "Persona Autorizzata".
No modify is allowed without the "Authorized Person" approval.

SAP drawing number:

Material and treatments:

POS.	DESCRIPTION	MATERIAL	Q.TY	U/M
8	Pin cover	Steel	1	EA
7	Spring for cover	Steel	1	EA
6	Body connector/F 4P	PBT	1	EA
5	Screw TCCIC 3x12	Steel	4	EA
4	Closing cover complete		1	EA
3	Momentary toggle switch w/ sealing boot		1	EA
2	Cover w/ dashed battery logo	Polyamide	1	EA
1	Box for switch	Polyamide	1	EA

DIMENSIONS AND TOLERANCES IN MILLIMETERS, DEFINED ACCORDING TO ISO 1101-2017.						
linear dimensions						
0,5	>3	>6	>30	>120	>400	>1000
3	6	120	400	1000	2000	
±0,2	±0,3	±0,5	±0,8	±1,2	±2	±3
angle (for range of lengths)						
up to 10	>10	>50	>120	>400	>1200	>2000
±1°30'	±1°	±0°30'	±0°15'			

●	FIT/ FUNCTION CRITICAL CHARACTERISTICS SYMBOL										
<S>	SAFETY/ COMPLIANCE CRITICAL CHARACTERISTICS SYMBOL										
CPK	DENOTES CPK DIMENSIONS MINIMUM CPK VALUE										
ST	DENOTES A CHARACTERISTIC THAT PROVIDES AN INDICATION OF PROCESS PERFORMANCE.PROCEDURE FOR MEASUREMENT AND TRACKING TO BE DEFINED IN LITTELFUSE INSPECTION INSTRUCTIONS										
CP	DENOTES CP DIMENSIONS. -MINIMUM CP VALUE MUST BE WITHIN THE DIMENSIONAL LIMITATIONS SHOWN ON DRAWING AND INITIALLY LOCATED TO ALLOW FOR MAXIMUM TOOL LIFE										
<table border="1"> <thead> <tr> <th>NAME</th> <th>DATE</th> </tr> </thead> <tbody> <tr> <td>DRAWN L. Dal Molin</td> <td>19-Jun-20</td> </tr> <tr> <td>CHECKED -</td> <td>-</td> </tr> <tr> <td>-</td> <td>-</td> </tr> <tr> <td>-</td> <td>-</td> </tr> </tbody> </table>		NAME	DATE	DRAWN L. Dal Molin	19-Jun-20	CHECKED -	-	-	-	-	-
NAME	DATE										
DRAWN L. Dal Molin	19-Jun-20										
CHECKED -	-										
-	-										
-	-										
<p>Expertise Applied Answers Delivered</p>											
FORM NO.: CVP-PE40-0013 REV A FIRST ANGLE PROJECTION TITLE: EXTERNAL SWITCH OFF-(ON) W/LED SIZE: A2 DWG. NO.: OL-00227073 OUTLINE REV.: A DO NOT SCALE DRAWING SCALE 1:1 SHEET 1 OF 1											