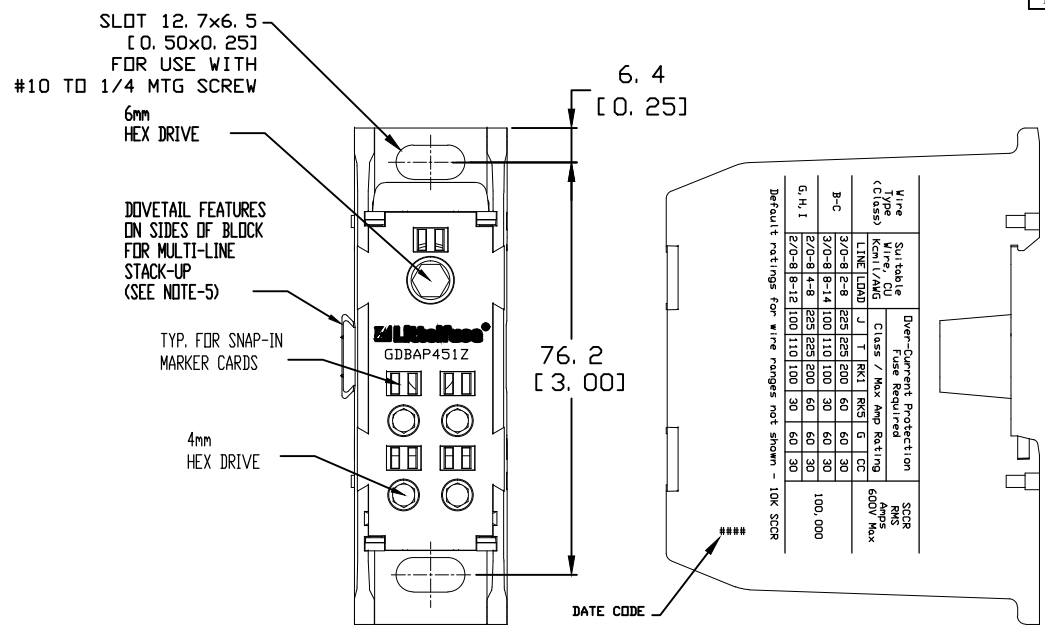
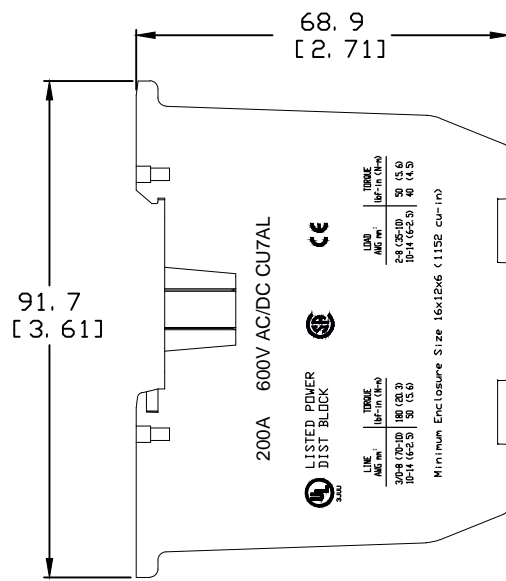


PART NUMBER

GDBAP451Z

REVISION

REV	DATE	DESCRIPTION
A	4/22/16	515747GCP - RELEASE PER EM2806 MRY
B	1/30/17	516960ECP/D - UPDATE SIDE PRINTING MRY



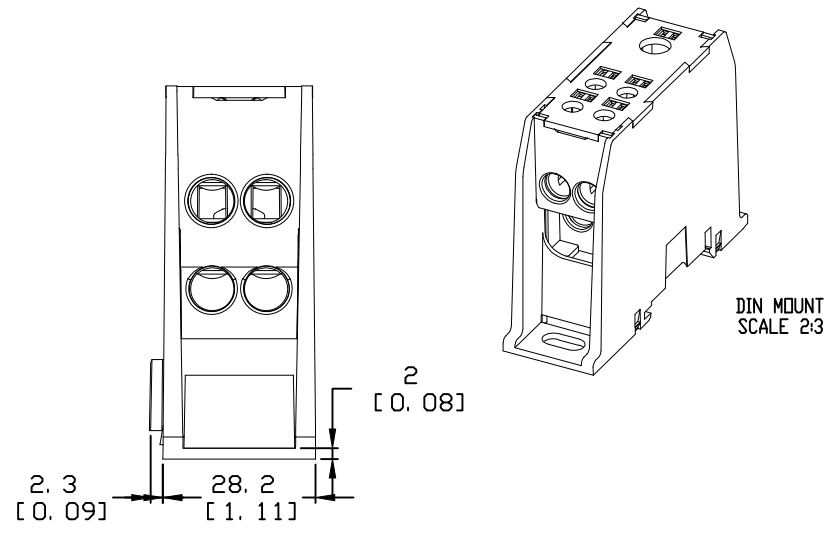
Wire Type (Class)	Suitable Wire (AWG)	Over-Current Protection Class / Max Amp Rating	SCCR Rating (kAIC Max @ 600V)
B-C	3/0-8-2-8	J T RK1 RK5 G CC	100,000
G.H. I	3/0-8-8-14	225 225 200 60 60 30	600V Max
	2/0-8-8-12	100 110 100 30 60 30	

Default ratings for wire ranges not shown = 10K SCRR

NOTES:

- AGENCY INFORMATION:  
UL FILE NO. E482231  
CSA FILE NO. 700111
- MATERIALS:  
INSULATOR-HIGH IMPACT THERMOPLASTIC,  
TEMP RATING 125°C (257°F)  
CONNECTOR-ALUMINUM - TIN PLATED
- TERMINATION:  
LINE: 3/0-14 AWG  
LOAD: 2-14 AWG  
WIRE COMBINATIONS PER UL FILE
- RATINGS:  
600V  
MAXIMUM AMP PER POLE-200A  
BASED ON NEC WIRE RATING CODE, 75°C WIRE  
PROVIDES SPACINGS FOR USE IN FEEDER CIRCUITS AT 251-600V PER UL508A
- FOR DIMENSIONS OF MULTILINE STACK-UPS, ADD 28.2 [1.11] TO OVERALL WIDTH, CENTERLINE SPACING OF 28.2 [1.11] POLE TO POLE.
- TORQUE:  
LINE: 3/0-8 AWG 180 IN-LB  
10-14 AWG 50 IN-LB  
LOAD: 2-8 AWG 50 IN-LB  
10-14 AWG 40 IN-LB

TOLERANCE (UNLESS OTHERWISE SPECIFIED):  
1 PLACE ± 2.5mm [0.1]  
2 PLACE ± 0.76mm [0.03]  
3 PLACE ± 0.381mm [0.015]



●	DENOTES CRITICAL CHARACTERISTICS.
CPK	DENOTES CPK DIMENSIONS, -MINIMUM CPK VALUE
ST	DENOTES A CHARACTERISTIC THAT PROVIDES AN INDICATION OF PROCESS PERFORMANCE. PROCEDURE FOR MEASUREMENT AND TRACKING TO BE DEFINED IN LITTELFUSE INSPECTION INSTRUCTIONS.
CP	DENOTES CP DIMENSIONS, -MINIMUM CP VALUE MUST BE WITHIN THE DIMENSIONAL LIMITATIONS SHOWN ON DRAWING AND INITIALLY LOCATED TO ALLOW FOR MAXIMUM TOOL LIFE.

MATL SPEC	FINISH		
DRW myork	DATE 2/3/2016	SCALE NTS	FINISH GOOD WT GRAMS/PIECE

UNLESS OTHERWISE SPECIFIED, DIMENSIONS ARE IN MILLIMETERS, DIMENSIONS IN BRACKETS [ ] ARE INCHES DIMENSIONING AND DO NOT INCLUDE PLATING. TOLERANCING TO BE INTERPRETED IN ACCORDANCE WITH ANSI Y14.5M-1994

3RD ANGLE PROJECTION	
----------------------	--

TITLE 600V DISTRIBUTION BLOCK 200A OUTLINE

LITTELFUSE® CHICAGO, ILLINOIS 60631	REVISION B	DRWG NO. OL-GDBAP45	SHEET 1 OF 1
--	------------	---------------------	--------------