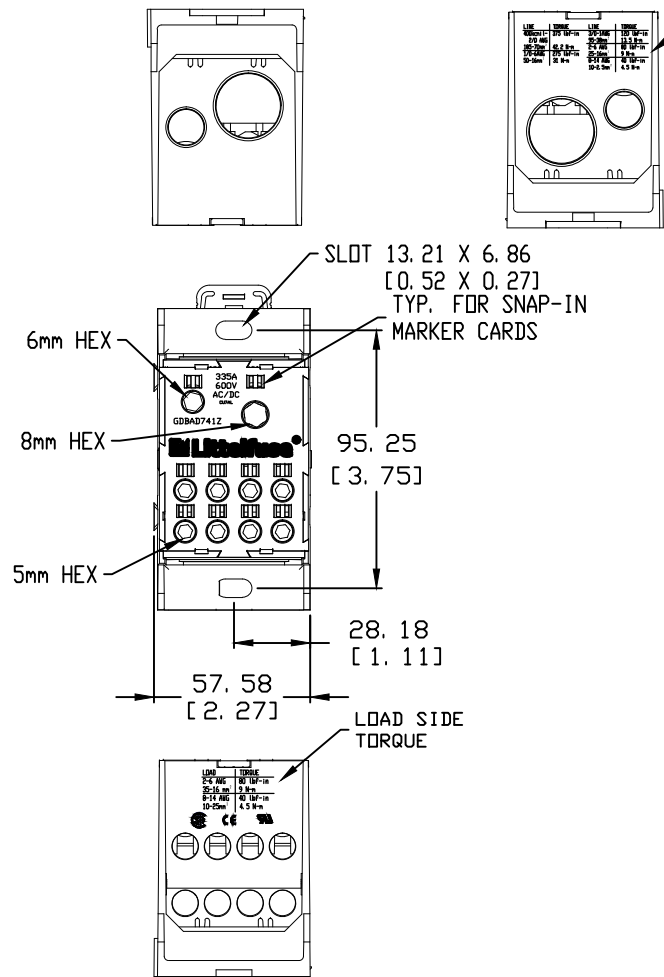
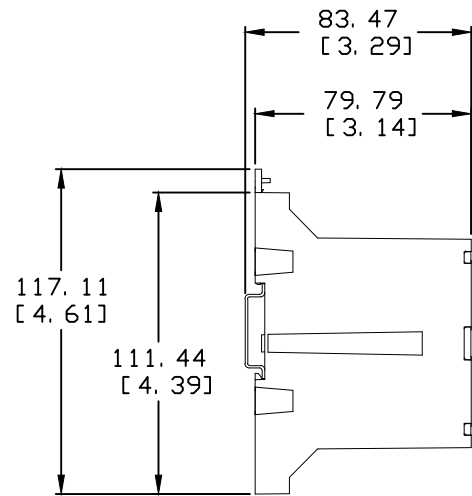


PART NUMBER

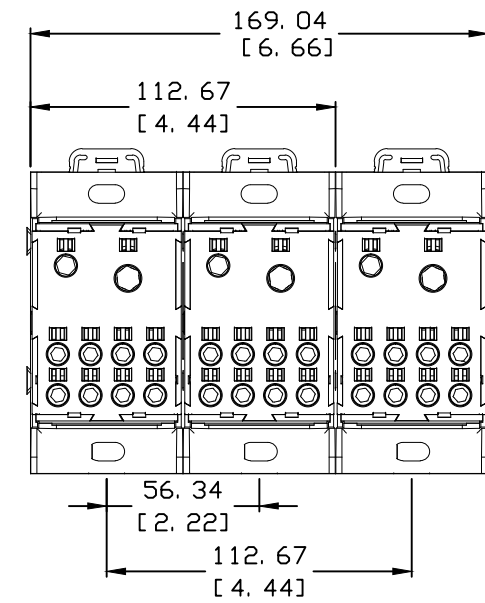
GDBAD741Z

REV		DATE	REVISION	DESCRIPTION
A		4/22/16	515747GCP - RELEASE PER EM2806	MRY
B		1/30/17	516960ECP/D - UPDATE SIDE PRINTING	MRY



LINE SIDE TORQUE PRINTING LOCATION

MULTILINE POWER BLOCK EXAMPLES:
STACK UP TO SPECIFIED LINE LENGTH
USING DOVETAIL FEATURES



- NOTES:
- AGENCY INFORMATION:
UL FILE NO. E171395
CSA FILE NO. 019766_M_060 ALT. 700111
 - MATERIALS:
INSULATOR-HIGH IMPACT THERMOPLASTIC,
TEMP RATING 125°C (257°F)
CONNECTOR-ALUMINUM - TIN PLATED
 - TERMINATION:
LINE: 400kcmil-14 AWG
LOAD: 2-14 AWG
WIRE COMBINATIONS PER UL FILE
 - RATINGS:
600V
MAXIMUM AMP PER POLE-335A
BASED ON NEC WIRE RATING CODE, 75°C WIRE

PROVIDES SPACINGS FOR USE IN FEEDER CIRCUITS
AT 251-600V PER UL508A
 - FOR DIMENSIONS OF MULTILINE STACK-UPS, ADD 19.05 [0.75] TO OVERALL WIDTH, CENTERLINE SPACING OF 19.05 [0.75] POLE TO POLE.
 - TORQUE:
LINE
(LARGE OPENING): 400kcmil-2/0 AWG 375 IN-LB
1/0-6 AWG 275 IN-LB
(SMALL OPENING): 3/0-1 AWG 120 IN-LB
2-6 AWG 80 IN-LB
8-14 AWG 40 IN-LB
LOAD: 2-6 AWG 80 IN-LB
8-14 AWG 40 IN-LB
- TOLERANCE (UNLESS OTHERWISE SPECIFIED):
1 PLACE ± 2.5mm [0.1]
2 PLACE ± 0.76mm [0.03]
3 PLACE ± 0.381mm [0.015]

●	DENOTES CRITICAL CHARACTERISTICS.
CPK	DENOTES CPK DIMENSIONS, -MINIMUM CPK VALUE
ST	DENOTES A CHARACTERISTIC THAT PROVIDES AN INDICATION OF PROCESS PERFORMANCE. PROCEDURE FOR MEASUREMENT AND TRACKING TO BE DEFINED IN LITTELFUSE INSPECTION INSTRUCTIONS.
CP	DENOTES CP DIMENSIONS, -MINIMUM CP VALUE MUST BE WITHIN THE DIMENSIONAL LIMITATIONS SHOWN ON DRAWING AND INITIALLY LOCATED TO ALLOW FOR MAXIMUM TOOL LIFE.

MATL SPEC		FINISH	
DRW myork	DATE 9/25/2015	SCALE NTS	FINISH GOOD WT GRAMS/PIECE

UNLESS OTHERWISE SPECIFIED, DIMENSIONS ARE IN MILLIMETERS, DIMENSIONS IN BRACKETS [] ARE INCHES DIMENSIONING AND DO NOT INCLUDE PLATING. TOLERANCING TO BE INTERPRETED IN ACCORDANCE WITH ANSI Y14.5M-1994

3RD ANGLE PROJECTION	
----------------------	--

TITLE 600V DISTRIBUTION BLOCK 335A OUTLINE

CHICAGO, ILLINOIS 60631	REVISION B	DRWG NO. OL-GDBAD74	SHEET 1 OF 1
-------------------------	------------	---------------------	--------------