

Model No.

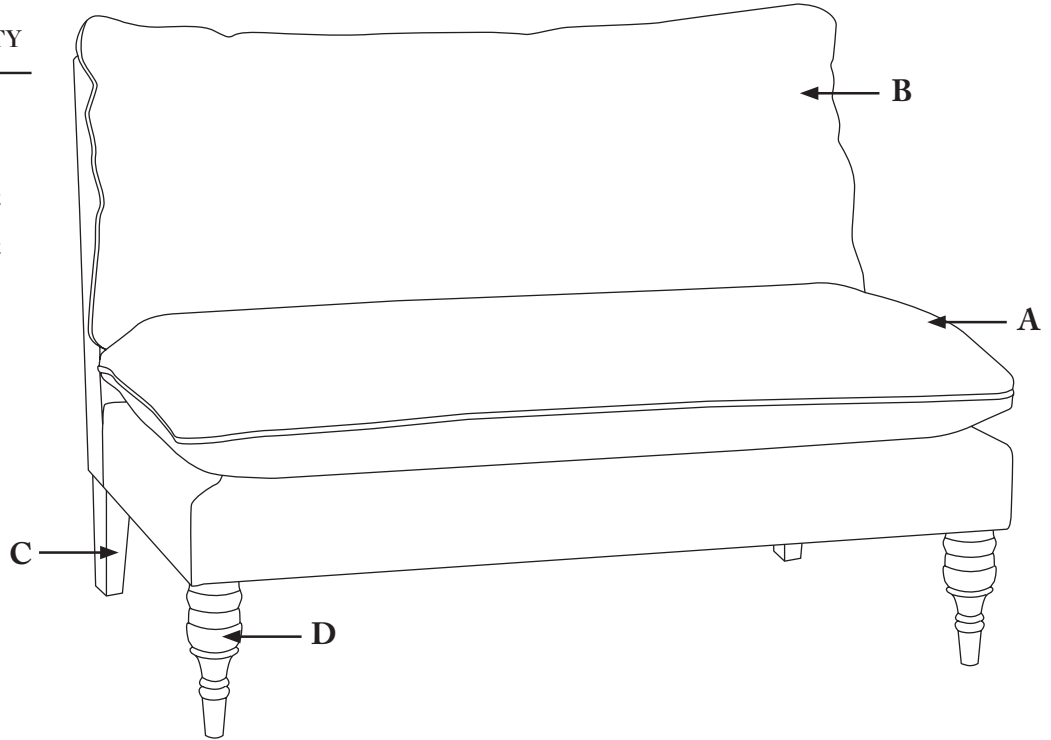
6106

CLOTH & COMPANY

Components

Item	Description	QTY
A	Seat	1
B	Back	1
C	Back Legs	2
D	Front Legs	2

Please note: actual product may look different than illustration.



Hardware



(H1) x 11
1 1/4" flat washer



(H2) x 7
5/16" nut

Please note: you will need a wrench to complete this assembly.

Limited Warranty

Skyline Furniture Inc. guarantees its upholstered furniture against defects in construction for a period of one (1) year. When a structural defect is brought to our attention, we will repair or replace it at our option at no charge to the customer (includes parts and labor, not transportation costs). Fabric wearability for upholstered furniture is not covered by the warranty. Vacuum for regular cleaning.

PLEASE DISPOSE OF PLASTIC BAG(S) AND CARTON(S) RESPONSIBLY.

Limite De Garantia

Skyline Furniture Inc. garantiza sus muebles tapizados contra defectos en construcción por un periodo de un (1) año. Cuando un problema de estructura es traído a nuestra atención, nosotros repararemos o remplazaremos sin ningún cargo a nuestro cliente (incluye partes y trabajo, no costo en transportación). Descoloramiento del material de muebles tapizados no es cubierto por la garantía. Regularmente puede aspirar.

POR FAVOR TIRAR BOLSA(S) Y CAJA(S) RESPONSABLEMENTE.

Garantie Limitée

Skyline Furniture Inc. garantit ses meubles rembourrés contre les défauts de construction pendant une période d'un (1) an. Lorsqu'un vice de construction nous est signalé, nous réparons ou remplaçons le meuble, selon notre choix, sans frais pour le client (incluant les pièces et la main-d'oeuvre, mais excluant les frais de transport). La durabilité du tissu des meubles rembourrés n'est pas couverte par la garantie. Nettoyer régulièrement avec un aspirateur.

VEUILLEZ JETER LE OU LES SAC(S) EN PLASTIQUE ET BOÎTE(S) DE FAÇON RESPONSABLE.

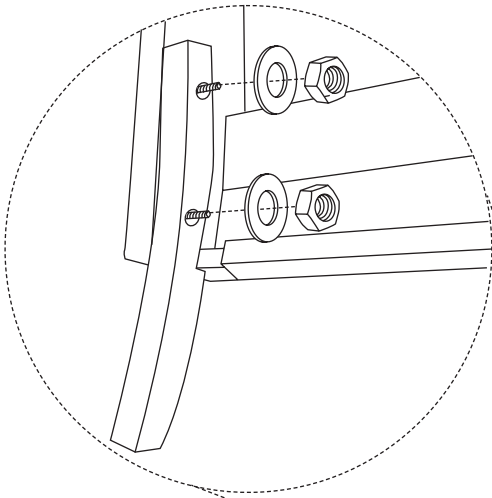
Model No.

6106

CLOTH

& COMPANY

Step 1

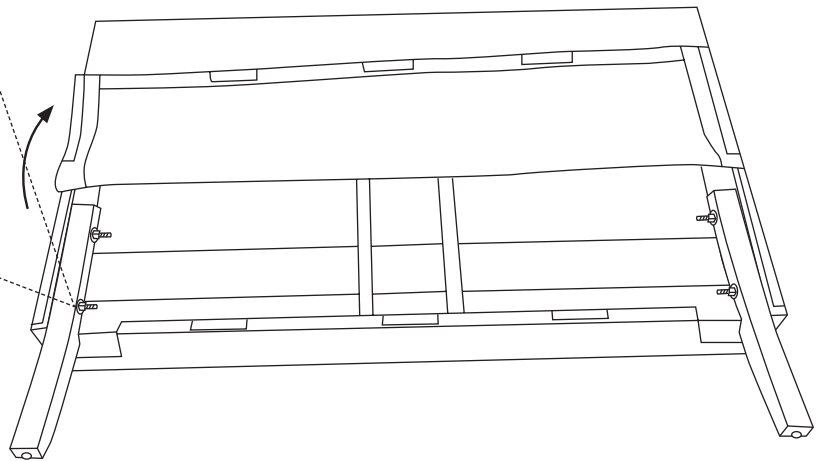


1.1

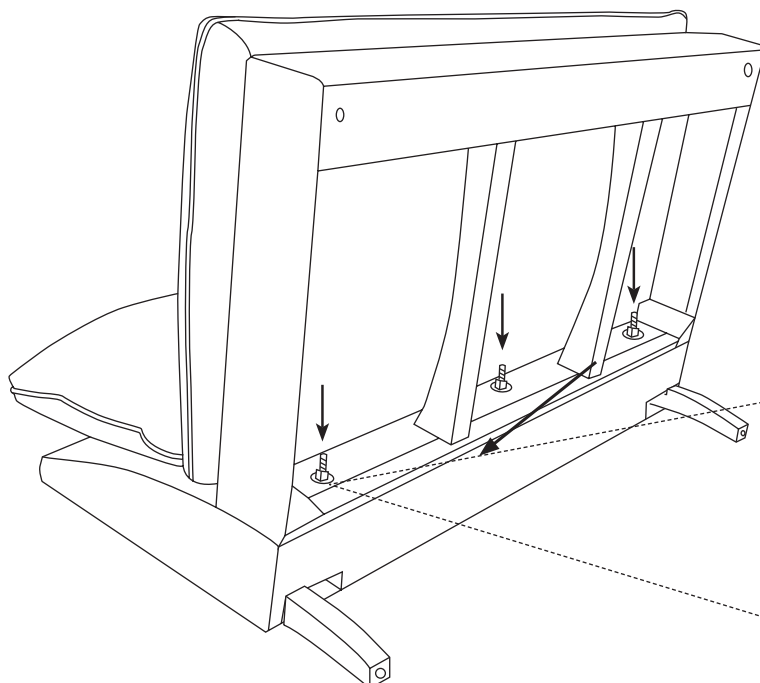
Place (B) back face down on a flat surface and peel back velcro flap.

Insert (C) back legs onto bolts and attach using (H1) washers and (H2) nuts. Make sure notch of (C) back legs are flush with the bottom of (B) back. Tighten with wrench.

Replace velcro flap.



Step 2



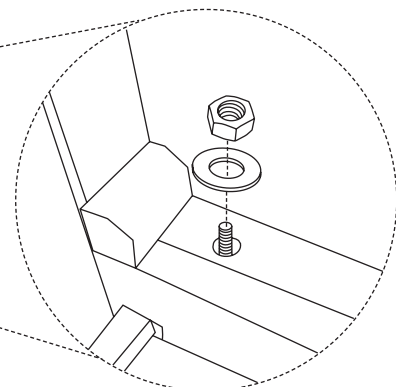
2.1

Turn (B) back over. Fit (A) seat onto bolts of (B) back, aligning sides and bottoms of both pieces.

2.2

Attach (A) seat to (B) back using (H1) washers and (H2) nuts.

Tighten with wrench.



Model No.
6106

CLOTH & COMPANY

Step 3

3.1

Remove plastic caps from (D) front legs, and attach to (A) seat using one (H1) washer per leg.

Once legs are secure, turn the chaise upright to check if level.

If the item is not level, unscrew the shortest leg and add an additional (H1) washer.

Repeat as needed.

Please note: you may have extra (H1) washers depending on how many you use to level the chaise.

