

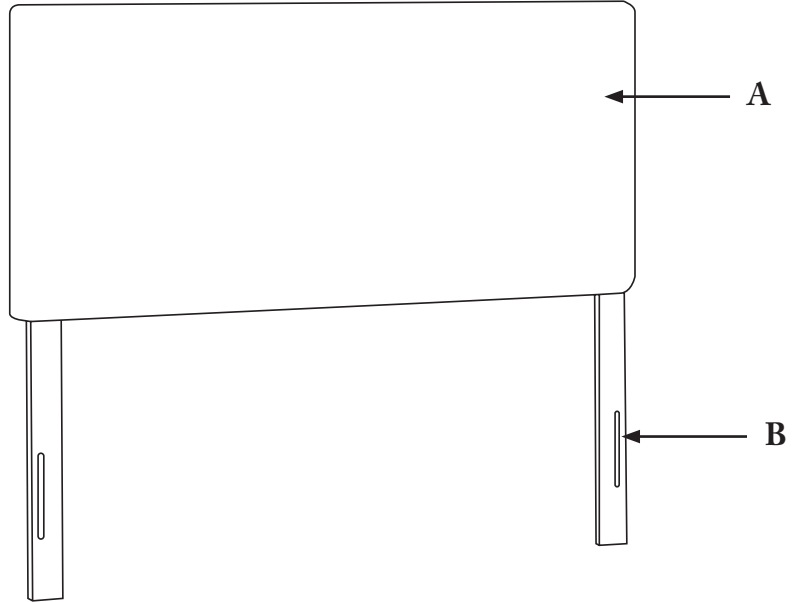
Model No.  
**Standard  
 Headboard**

**CLOTH**  
 & COMPANY

**Components**

Item	Description	QTY
A	Headboard	1
B	Headboard Leg	2

*Please note: actual headboard may look different than illustration.*



**Headboard Hardware**



**(H1)** x 4  
 5/8" x 5/16" bolt



**(H2)** x 12  
 1 1/4" washer



**(H3)** x 4  
 1 x 1/4" bolt



**(H4)** x 4  
 1/4" nuts

*Please note: you will need a flat head screwdriver and a wrench to assemble your headboard.*

**Limited Warranty**

Skyline Furniture Inc. guarantees its upholstered furniture against defects in construction for a period of one (1) year. When a structural defect is brought to our attention, we will repair or replace it at our option at no charge to the customer (includes parts and labor, not transportation costs). Fabric wearability for upholstered furniture is not covered by the warranty. Vacuum for regular cleaning.

PLEASE DISPOSE OF PLASTIC BAG(S) AND CARTON(S) RESPONSIBLY.

**Limite De Garantia**

Skyline Furniture Inc. garantiza sus muebles tapizados contra defectos en construcción por un periodo de un (1) año. Cuando un problema de estructura es traído a nuestra atención, nosotros repararemos o remplazaremos sin ningún cargo a nuestro cliente (incluye partes y trabajo, no costo en transportación). Descoloramiento del material de muebles tapizados no es cubierto por la garantía. Regularmente puede aspirar.

POR FAVOR TIRAR BOLSA(S) Y CAJA(S) RESPONSABLEMENTE.

**Garantie Limitée**

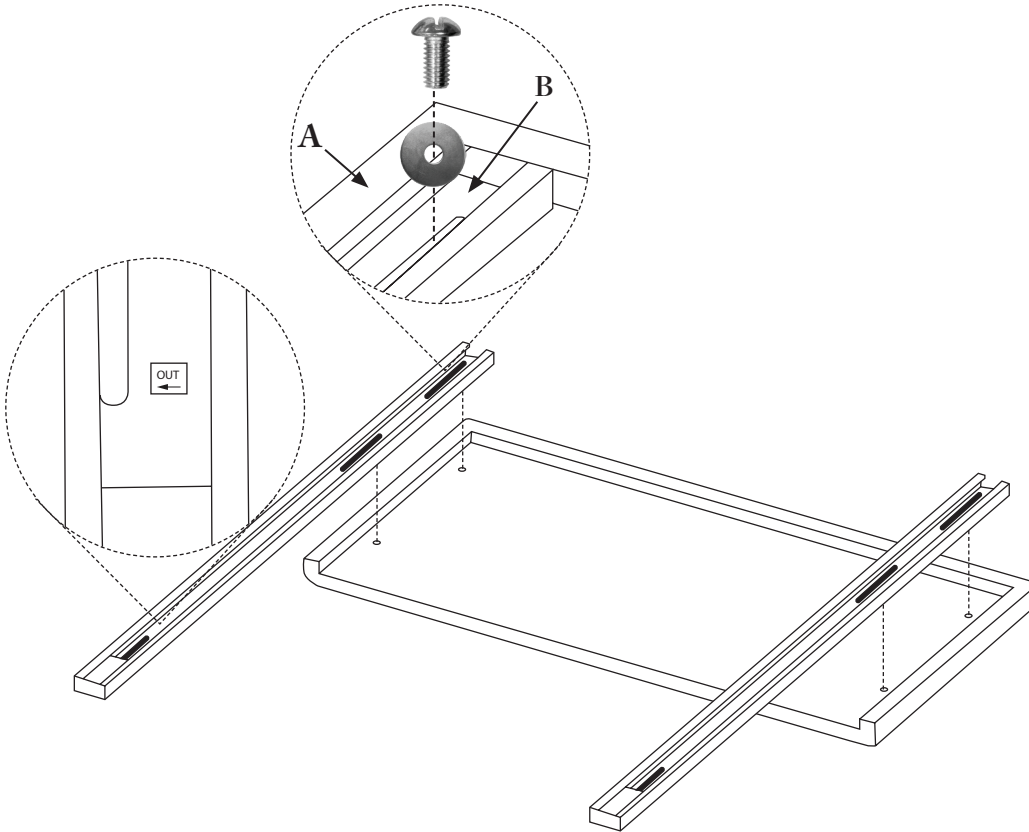
Skyline Furniture Inc. garantit ses meubles rembourrés contre les défauts de construction pendant une période d'un (1) an. Lorsqu'un vice de construction nous est signalé, nous réparons ou remplaçons le meuble, selon notre choix, sans frais pour le client (incluant les pièces et la main-d'oeuvre, mais excluant les frais de transport). La durabilité du tissu des meubles rembourrés n'est pas couverte par la garantie. Nettoyer régulièrement avec un aspirateur.

VEUILLEZ JETER LE OU LES SAC(S) EN PLASTIQUE ET BOÎTE(S) DE FAÇON RESPONSABLE.

Model No.  
**Standard  
Headboard**

# CLOTH & COMPANY

## Step 1 - Attaching the Headboard Legs



### 1.1

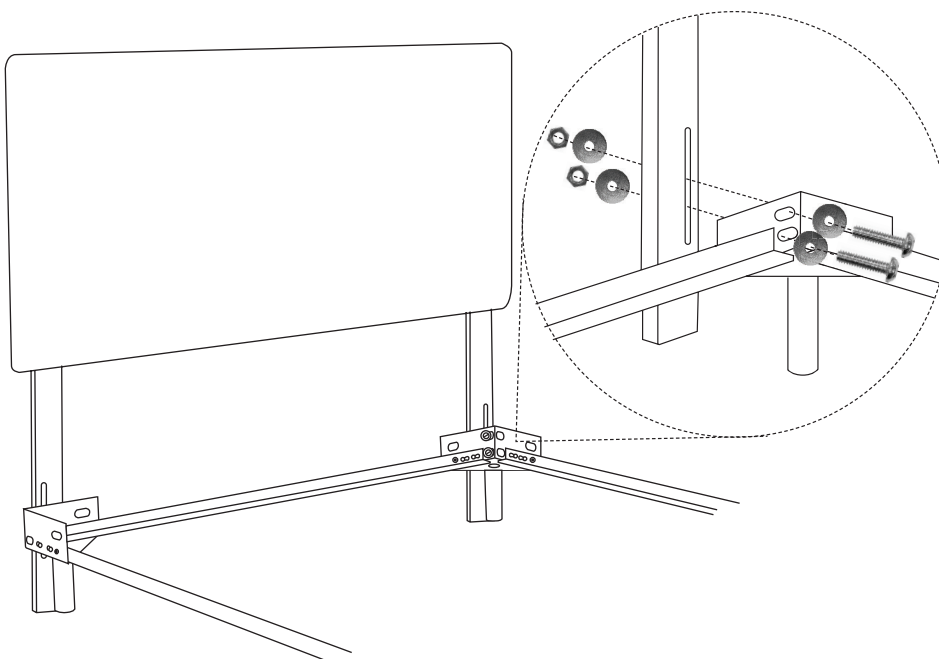
Place (A) headboard face down on a flat surface. Place (B) headboard legs on the back of (A) headboard, aligning the slots of the legs with the holes of the headboard.

*Please note: Make sure the "Out" sticker on each (B) headboard leg is facing the correct way.*

### 1.2

Attach (B) headboard legs to (A) headboard using (H1) bolts and (H2) washers. Tighten with a flat head screwdriver.

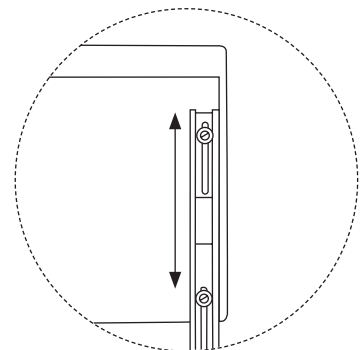
## Step 2 - Attaching the Headboard to Your Bed Frame



### 2.1

Attach the assembled headboard to your bedframe using (H3) bolts, (H2) washers and (H4) nuts. Tightened with a flat head screwdriver and wrench.

*Please note: The height of your headboard can be adjusted by loosening the (H1) bolts and shifting the (A) headboard up or down.*

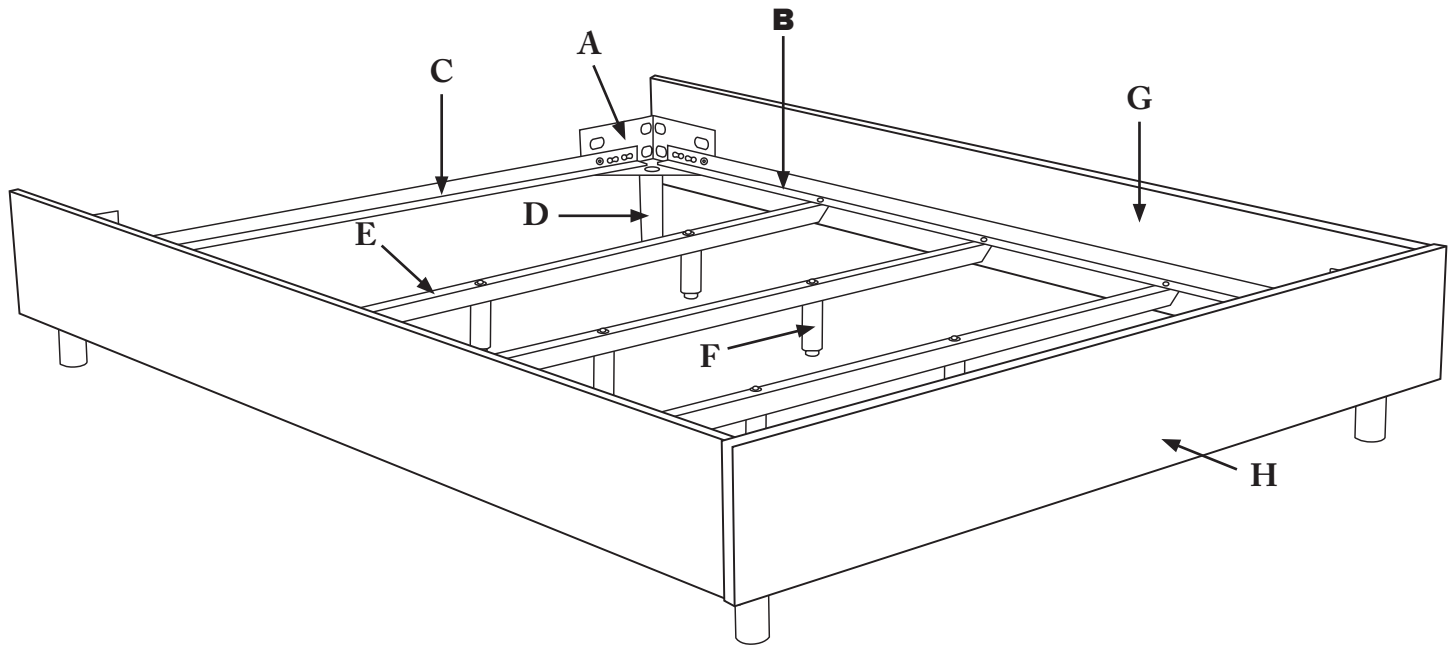


Model No.  
**California King  
 Bed**

**CLOTH**  
 & COMPANY

**Components**

Item	Description	QTY	Item	Description	QTY
A	Metal corners	4	E	Center support rail	3
B	Metal side rail	2	F	Center support leg	6
C	Metal end rail	2	G	Upholstered side rail	2
D	Corner leg	4	H	Upholstered foot rail	1



**Bed Frame Hardware**

(H1) x 14 1/4" bolt	(H2) x 14 1/4" nut	(H3) x 4 3/4" x 5/16" bolt	(H4) x 4 3/4" washer <i>larger hole</i>	(H5) x 6 1" x 1/4" bolt	(H6) x 6 3/4" washer <i>smaller hole</i>	
(H7) x 6 1" x 5/16" bolt	(H8) x 6 1 1/4" washer	(H9) x 1 Smaller L wrench	(H10) x 1 Larger L wrench	(H11) x 1 Wrench	(H12) x 8 3/4" screw <i>optional</i>	(H13) x 2 L bracket <i>optional</i>

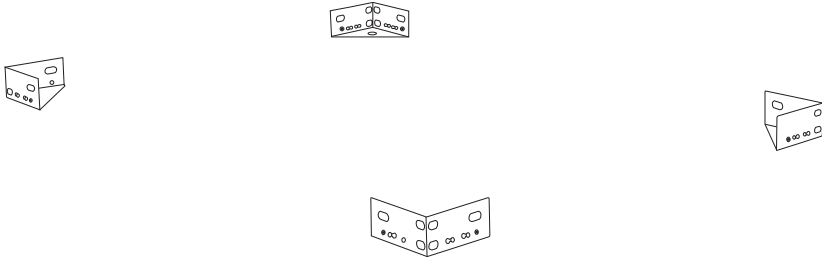
Model No.  
**California King  
Bed**

# CLOTH

& COMPANY

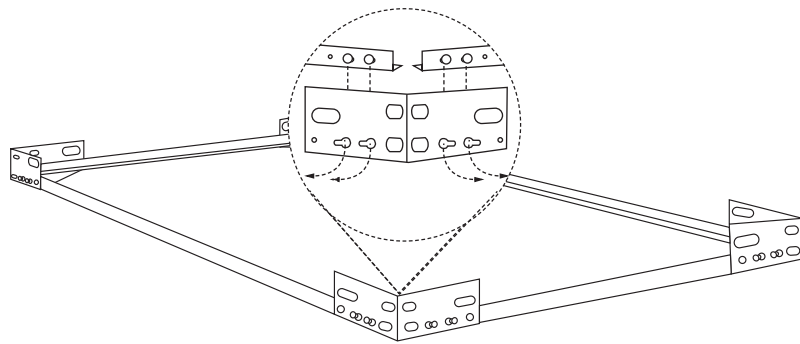
## Step 1 - Building the metal bed frame

---



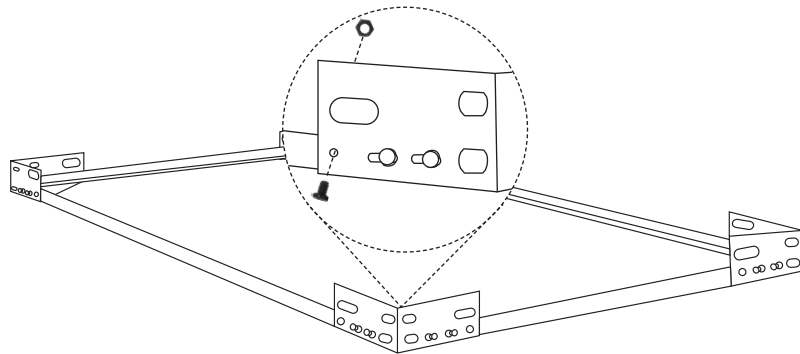
### 1.1

Place (A) metal corners in a rectangular shape roughly the size of your mattress.



### 1.2

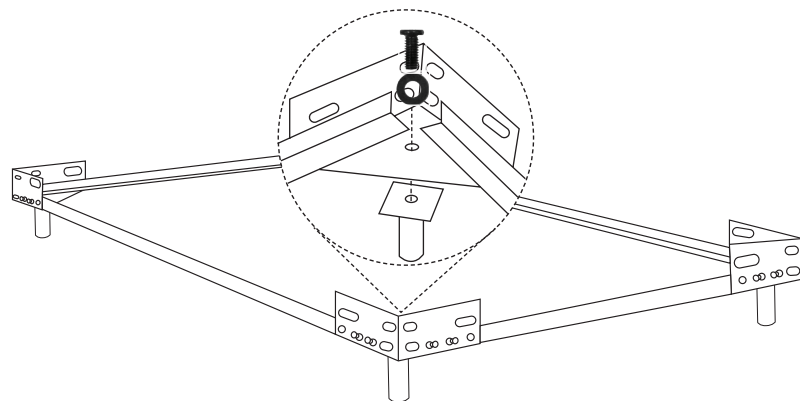
Lay (B) and (C) metal rails into (A) metal corners to create the shape of your bed frame. Snap into place.



### 1.3

Secure (B, C) metal rails to (A) metal corners using (H1) bolts and (H2) nuts. Tighten using (H9) L wrench and (H11) wrench.

*Please note: (H2) nuts should be on the inside of the frame.*



### 1.4

Carefully attach (D) corner legs underneath (A) metal corners using (H3) bolts and (H4) washers. Tighten using (H10) L wrench.

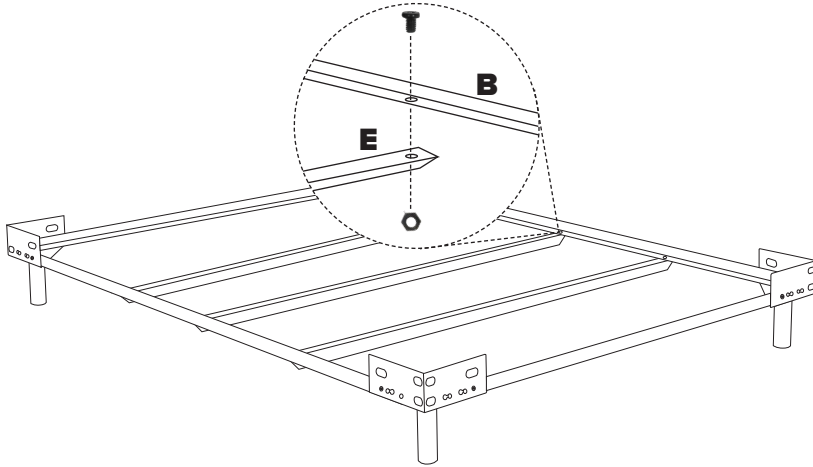
Model No.  
**California King  
Bed**

# CLOTH

& COMPANY

## Step 2 - Center support system

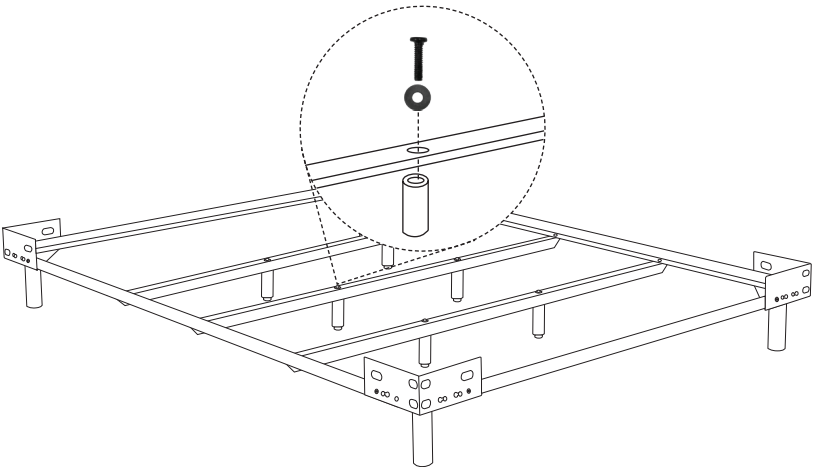
---



### 2.1

Align holes of (E) center support rail with holes on (B) metal side rails. Attach using (H1) bolts and (H2) nut. Tighten using (H9, H11) wrenches.

*Please note: (E) center support rail attaches underneath (B) metal side rails.*

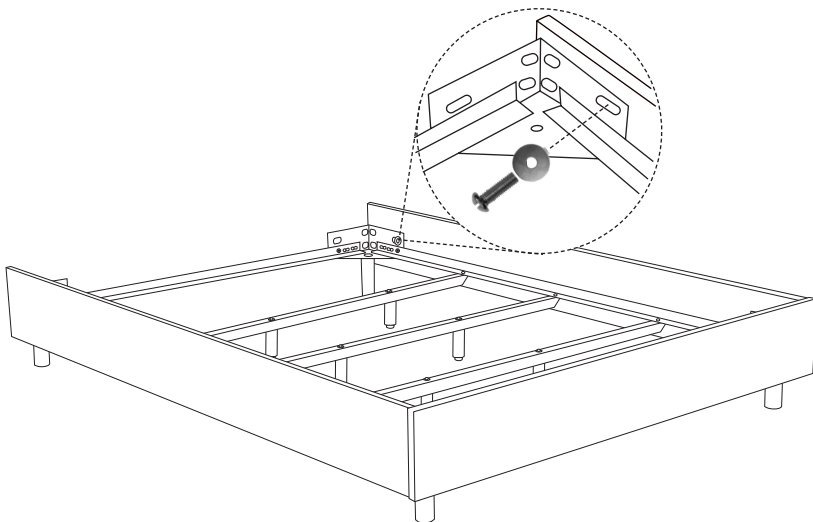


### 2.2

Attach (F) center support legs to (E) center support rail using (H5) bolts and (H6) washer. Tighten using (H9) L wrench.

## Step 3 - Attaching the upholstered rails

---



### 3.1

Loosely attach (G, H) upholstered rails to bed frame using (H7) bolts and (H8) washers.

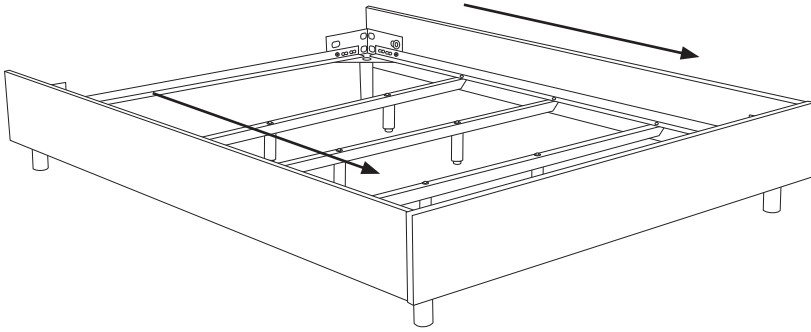
*Please note: if (G) upholstered side rails have an additional hole, make sure the hole faces upwards and away from the (H) upholstered foot rail.*

Model No.  
**California King  
Bed**

# CLOTH

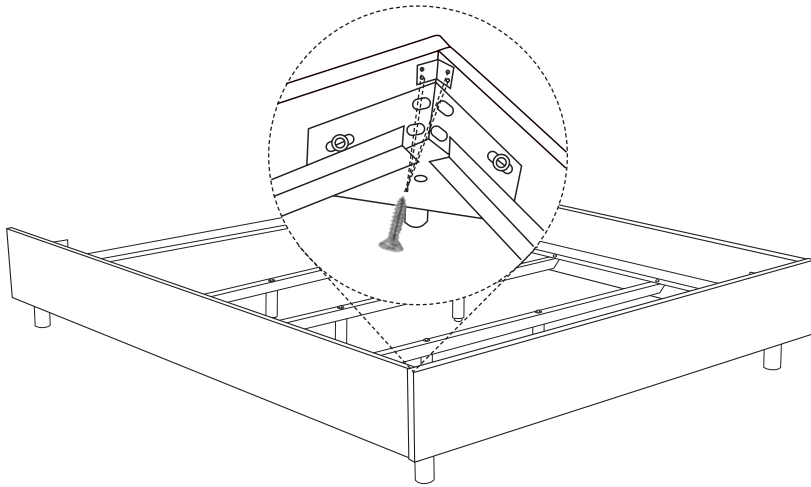
& COMPANY

## Step 3 - Attaching the upholstered rails



### 3.2

Push (G) upholstered side rails toward (H) upholstered foot rail to eliminate any gaps. Tighten (G) upholstered side rails first, then (H) upholstered foot rail using flat head screwdriver.



### 3.3 (Optional)

To reinforce stability of (G, H) upholstered rails, use a phillips screwdriver to attach (H13) L brackets using (H12) screws.

*Please note: this requires screwing (H12) directly into the upholstered side rail.*

## Attaching your headboard

*For instructions on how to attach your headboard to your bed frame, please consult the assembly instructions found in the box your headboard was shipped in.*

### Limited Warranty

Skyline Furniture Inc. guarantees its upholstered furniture against defects in construction for a period of one (1) year. When a structural defect is brought to our attention, we will repair or replace it at our option at no charge to the customer (includes parts and labor, not transportation costs). Fabric wearability for upholstered furniture is not covered by the warranty. Vacuum for regular cleaning.

PLEASE DISPOSE OF PLASTIC BAG(S)  
AND CARTON(S) RESPONSIBLY.

### Limite De Garantia

Skyline Furniture Inc. garantiza sus muebles tapizados contra defectos en construcción por un periodo de un (1) año. Cuando un problema de estructura es traído a nuestra atención, nosotros repararemos o remplazaremos sin ningún cargo a nuestro cliente (incluye partes y trabajo, no costo en transportación). Descoloramiento del material de muebles tapizados no es cubierto por la garantía. Regularmente puede aspirar.

POR FAVOR TIRAR BOLSA(S) Y CAJA(S)  
RESPONSABLEMENTE.

### Garantie Limitée

Skyline Furniture Inc. garantit ses meubles rembourrés contre les défauts de construction pendant une période d'un (1) an. Lorsqu'un vice de construction nous est signalé, nous réparons ou remplaçons le meuble, selon notre choix, sans frais pour le client (incluant les pièces et la main-d'oeuvre, mais excluant les frais de transport). La durabilité du tissu des meubles rembourrés n'est pas couverte par la garantie. Nettoyer régulièrement avec un aspirateur.

VEUILLEZ JETER LE OU LES SAC(S) EN  
PLASTIQUE ET BOÎTE(S) DE FAÇON  
RESPONSABLE.